

1

2

3

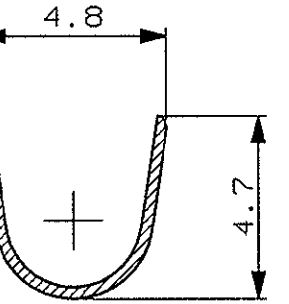
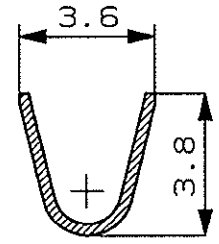
4

SCALA NON IMPEGNATIVA  
(DO NOT SCALE)  
DIMENSIONI IN mm  
(DIMENSIONS IN)

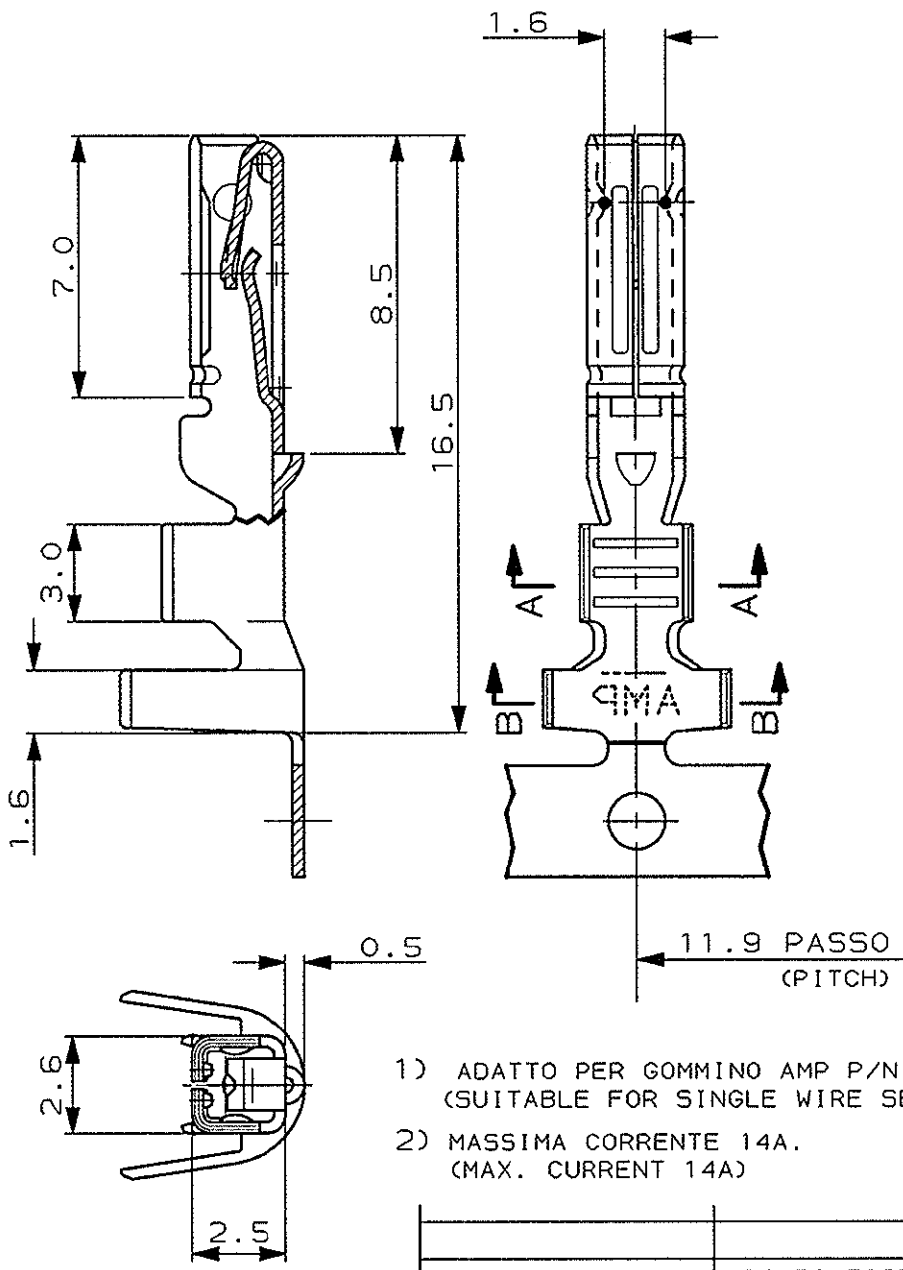
METRIC

PROIEZIONE EUROPEA  
(EUROPEAN PROJECTION)

PART. SECT. A-A



PART. SECT. B-B



- 1) ADATTO PER GOMMINO AMP P/N 281934-...  
(SUITABLE FOR SINGLE WIRE SEAL AMP P/N 281934-...)
- 2) MASSIMA CORRENTE 14A.  
(MAX. CURRENT 14A)

PRE STAGNATO (PRE-TINNED)	BRONZO FOSFOROSO (PH. BRONZE)	282466-1
FINITURA / COLORE (FINISH / COLOUR)	MATERIALE (MATERIAL)	NUMERO (PART NUMBER)
CUSTOMER DWG. FOR REFERENCE ONLY		DISEGNO PER CLIENTE SOLO PER RIFERIMENTO
THIS DRAWING IS UNPUBLISHED		RELEASE FOR PUBLICATION 1990
© COPYRIGHT 1990 BY AMP INCORPORATED, HARRISBURG, PA. ALL INTERNATIONAL RIGHT RESERVED. AMP PRODUCTS MAY BE COVERED BY U.S. AND FOREIGN PATENT AND/OR PATENT PENDING		
TOLLERANZE, SE NON DIVERSAMENTE SPECIFICATO (TOLERANCES, UNLESS OTHERWISE SPECIFIED)	DIAM. ISOLANTE (INS. DIA. RANGE) VED. NOTA 1) (SEE NOTE 1))	RANGO FILO (WIRE RANGE) 1.5-2.5mm <sup>2</sup>
± 0.3	SCALA (SCALE) 5:1	
ANGOLI (ANGLES) ± 2°	<b>tyco</b> <b>Electronics</b> AMP ITALIA S.p.A. Corso F.LLI Cervi, 15 COLLEGNO (TORINO)	
DIS. (DR.)	12 DIC. '92	DESCRIZIONE (DESCRIPTION)
A2	BERTINI	MINI MIC SRS REC. CONTACT
A1	12 DEC '92	
A	A. BRUNI	
REV.	LOC.	SIZE
REVISIONI (REVISION RECORD)	I	A4
DIS. DATA (DR) (DATE)	NUMERO (DWG NO)	REV.
	C-282466	A2
		FOGLIO (SHEET)
		1 DI (OF) 1

DISTRIBUZIONE  
(PRINT DIST.)