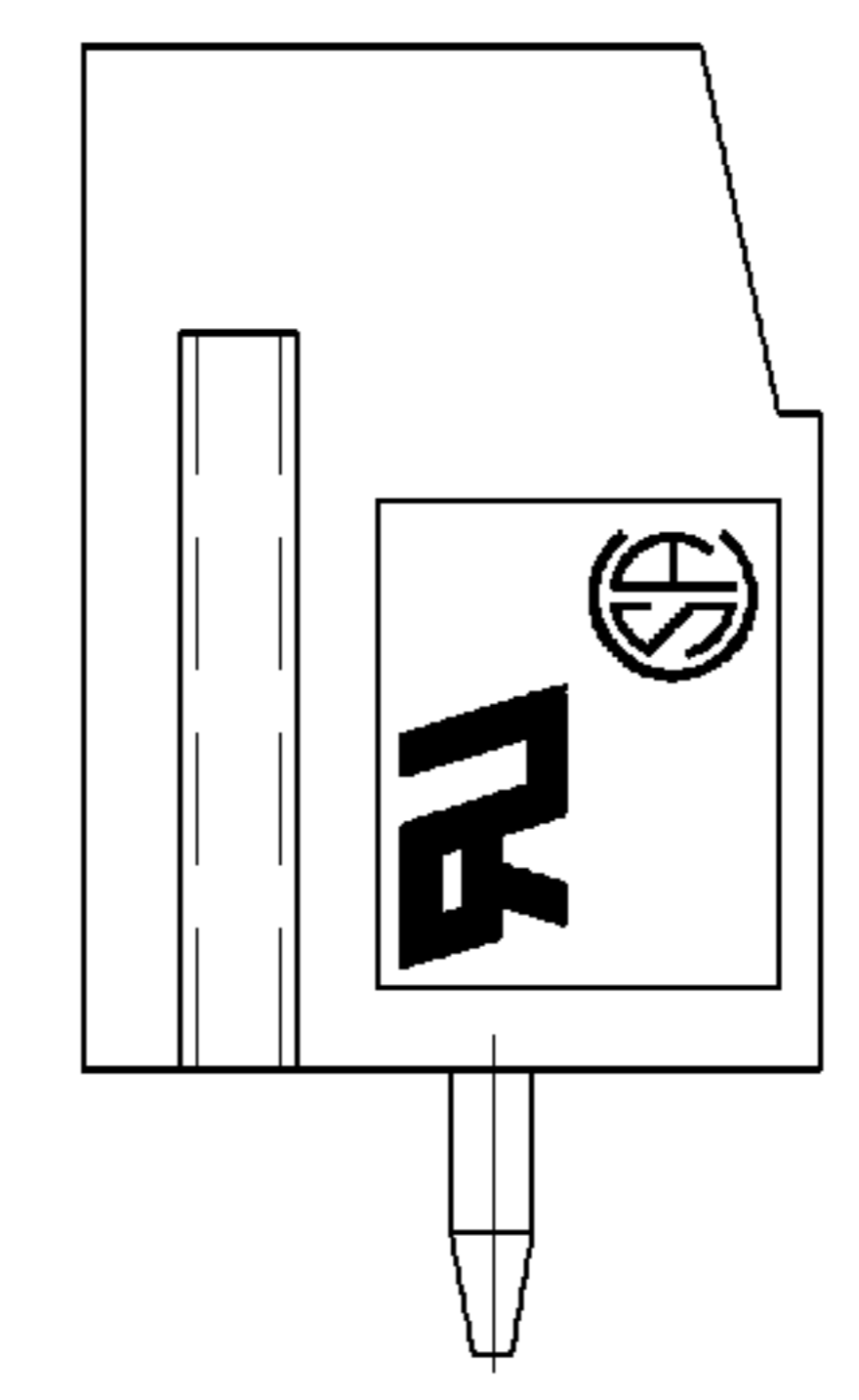
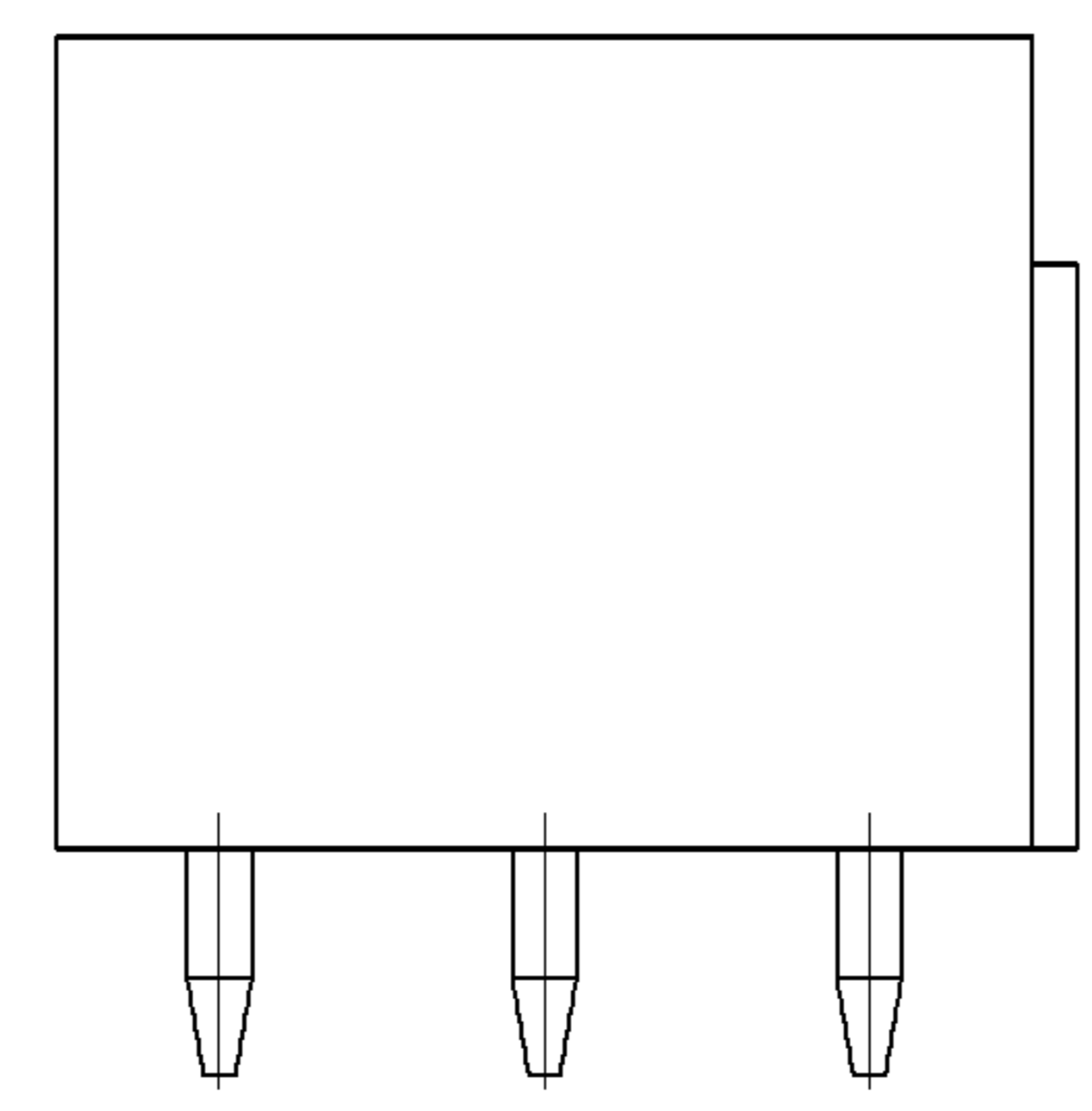
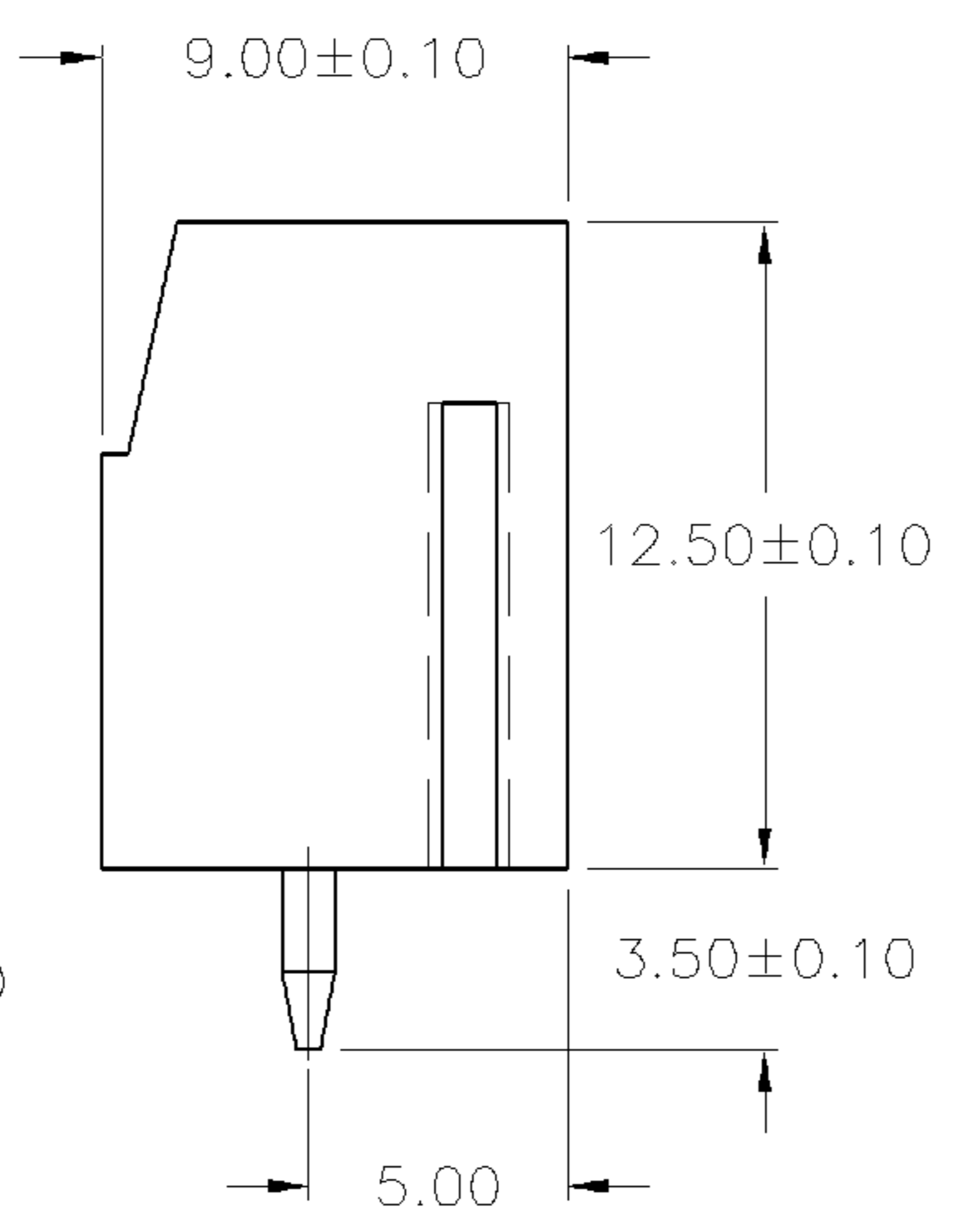
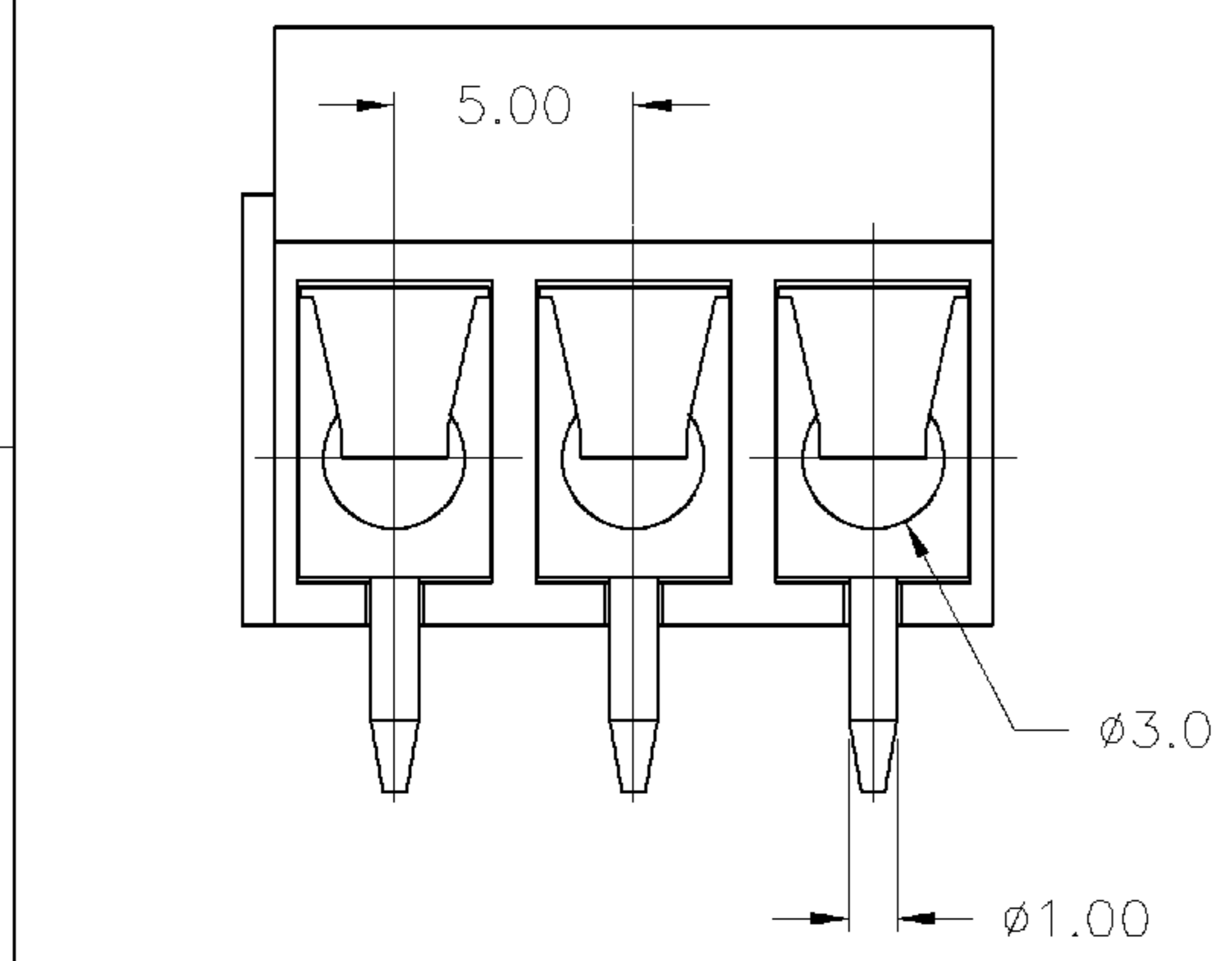
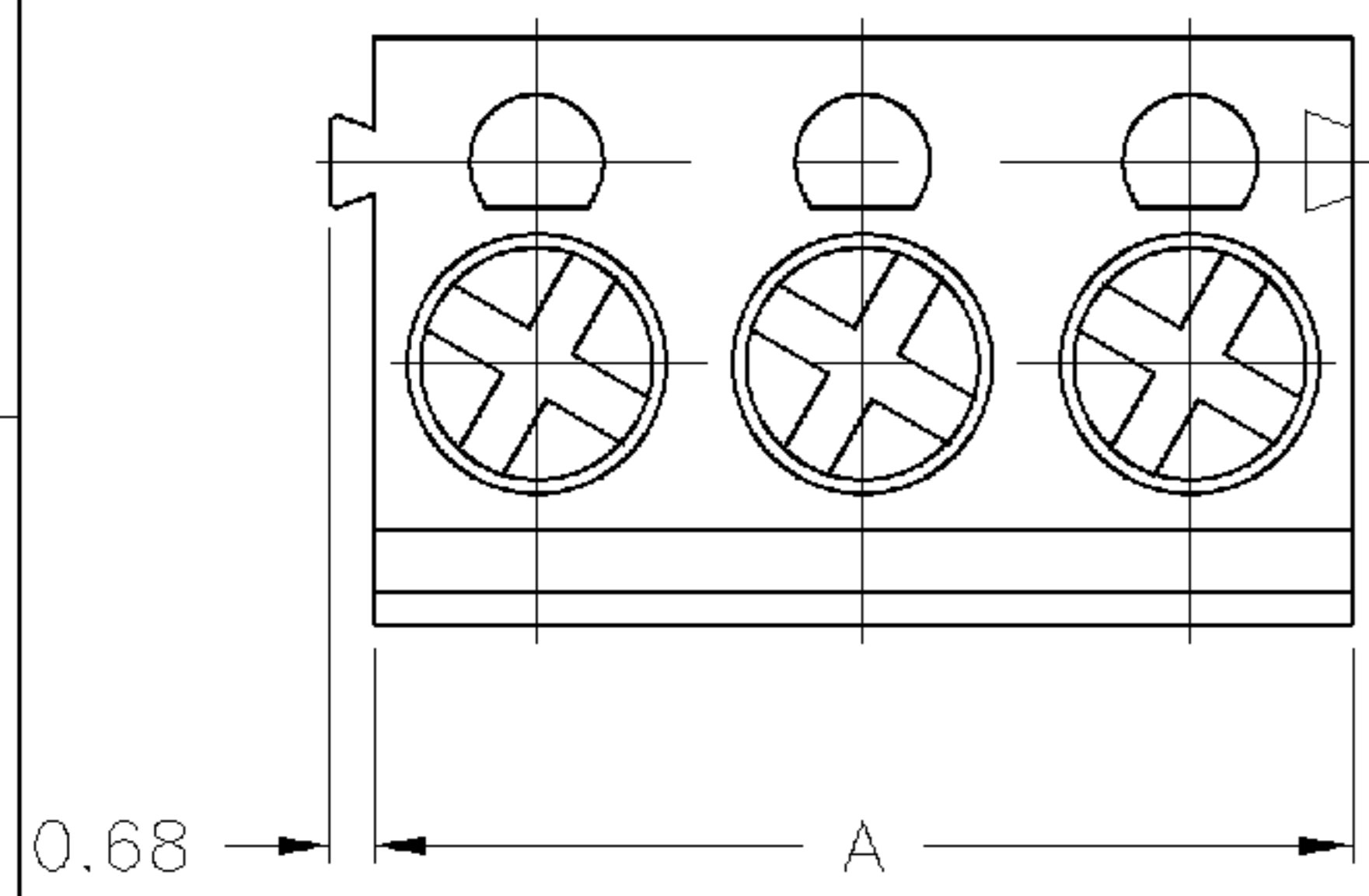


THIS DRAWING IS UNPUBLISHED. RELEASED FOR PUBLICATION
 © COPYRIGHT BY TYCO ELECTRONICS CORPORATION. ALL RIGHTS RESERVED.

LOC	DIST	REVISIONS			
P	LTR	DESCRIPTION	DATE	DWN	APVD
FT	0	B	REVISED PER 0G3B-0233-01	6/12/02	SS DAB

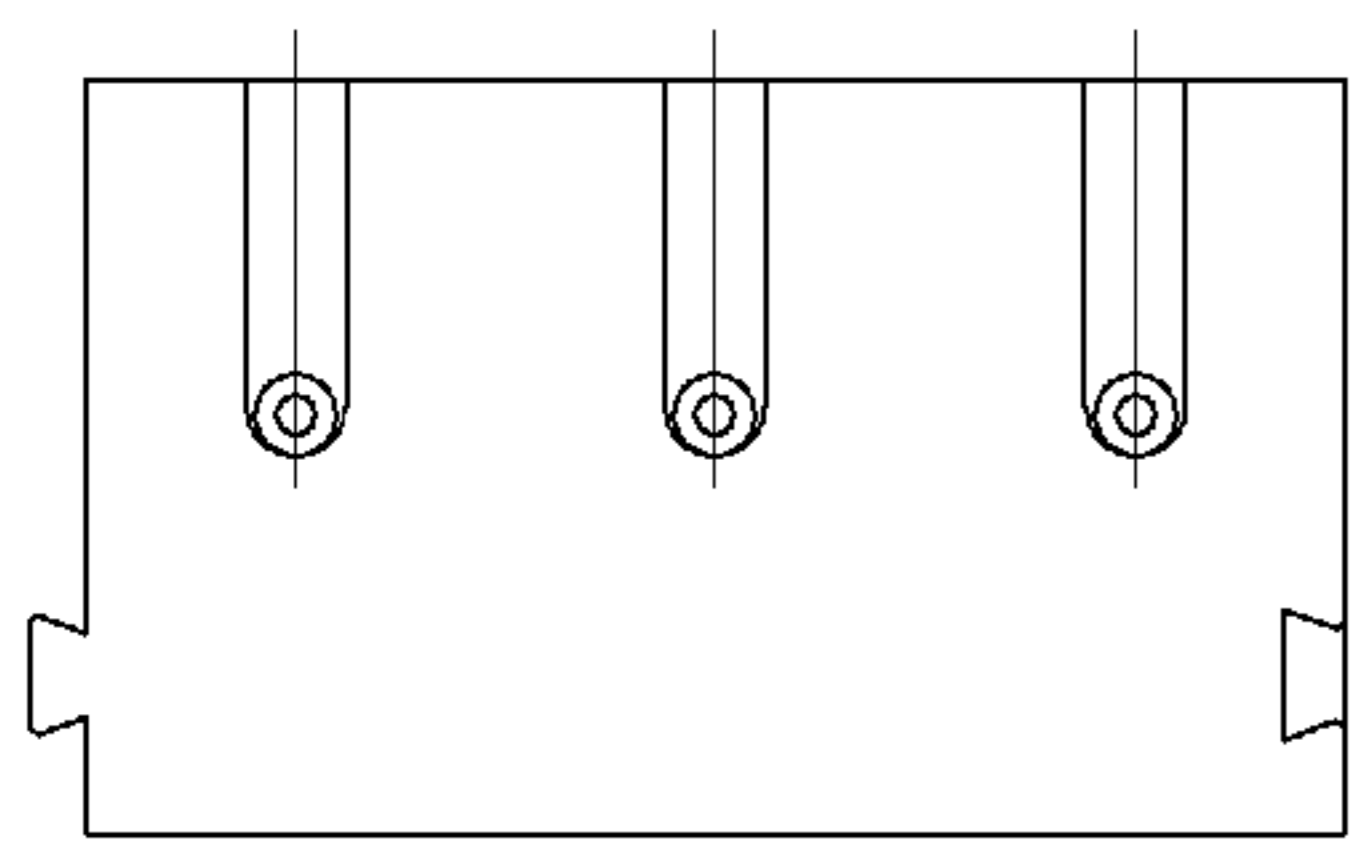
NOTES:

1. ALL DIMENSIONS ARE IN MM.
2. Recommended PC-Board-holes diameter: $\phi 1.20\text{mm}$ to 1.40mm
3. BUCHANAN LOGO TO APPEAR ON HOUSING LOCATION OPTIONAL WHERE SPACE PERMITS.



DIM. A	NO. OF POS.	PART NUMBER
120.00	24	2-796416-4
115.00	23	2-796416-3
110.00	22	2-796416-2
105.00	21	2-796416-1
100.00	20	2-796416-0
95.00	19	1-796416-9
90.00	18	1-796416-8
85.00	17	1-796416-7
80.00	16	1-796416-6
75.00	15	1-796416-5
70.00	14	1-796416-4
65.00	13	1-796416-3
60.00	12	1-796416-2
55.00	11	1-796416-1
50.00	10	1-796416-0
45.00	9	796416-9
40.00	8	796416-8
35.00	7	796416-7
30.00	6	796416-6
25.00	5	796416-5
20.00	4	796416-4
15.00	3	796416-3
10.00	2	796416-2

796416-3 AS SHOWN



THIS DRAWING IS A CONTROLLED DOCUMENT.		DWN E. ZANOLINI 26JAN01	BUCHANAN Tyco Electronics Corporation Harrisburg, PA 17105-3608		
DIMENSIONS: MM		CHK E. ZANOLINI 26JAN01			
TOLERANCES UNLESS OTHERWISE SPECIFIED:		APVD D. BIEVENOUR 26JAN01	NAME TERMINAL BLOCK PCB MOUNT, STRAIGHT SIDE WIRE ENTRY W/INTERLOCK, 5.00mm PITCH (LT)		
0 PLC $\pm -$ 1 PLC ± 0.3 2 PLC ± 0.25 3 PLC $\pm -$ 4 PLC $\pm -$ ANGLES $\pm -$		PRODUCT SPEC -	SIZE A3	CAGE CODE 00779	DRAWING NO C-796416
MATERIAL -		FINISH -	APPLICATION SPEC -	RESTRICTED TO -	SCALE 4:1
CUSTOMER DRAWING			SHEET 1	OF 2	REV B