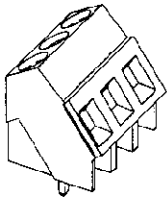


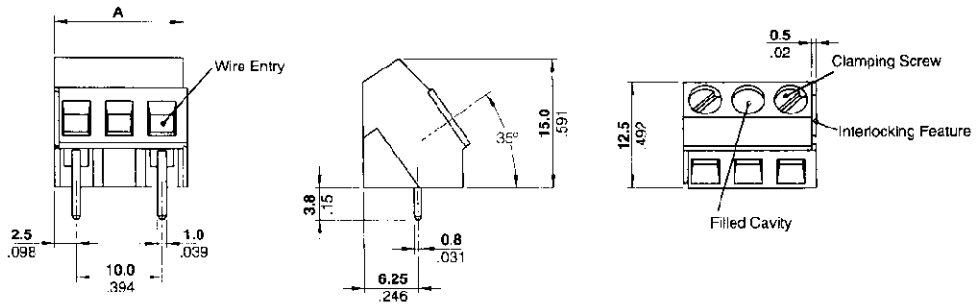
BOARD MOUNT, 35° ANGLED WIRE ENTRY

**Board Mount,
10.0 mm Centerline,
35° Angled Wire Entry
Color – Green**

**UL Rating – 600 V, 17.5 A
12-30 AWG
15 A for field wiring applications**

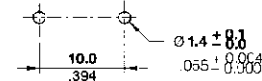


**Suggested Screw Torque—
7.0 in.-lbs.**



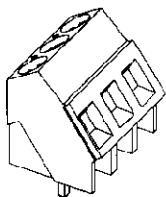
No. of Positions	Dim. A	Part Numbers
2	15.0 [0.591]	282848-2
3	25.0 [0.984]	282848-3
4	35.0 [1.378]	282848-4
5	45.0 [1.772]	282848-5
6	55.0 [2.165]	282848-6

Recommended PC Board Layout

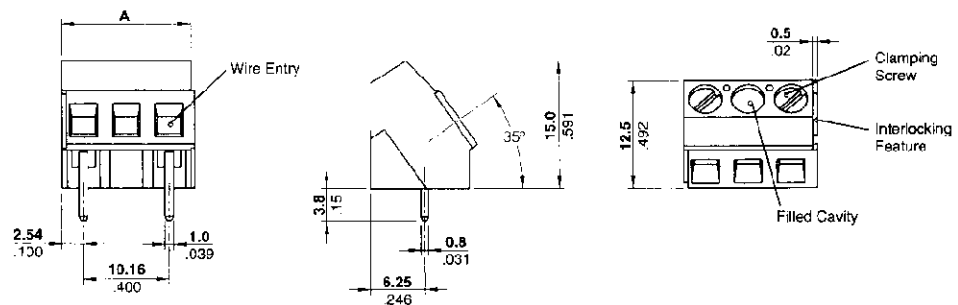


**Board Mount,
10.16 mm Centerline,
35° Angled Wire Entry
Color – Green**

**UL Rating – 600 V, 17.5 A
12-30 AWG
15 A for field wiring applications**



**Suggested Screw Torque—
7.0 in.-lbs.**



No. of Positions	Dim. A	Part Numbers
2	15.24 [0.600]	282849-2
3	25.40 [1.000]	282849-3
4	35.56 [1.400]	282849-4
5	45.72 [1.800]	282849-5
6	55.88 [2.200]	282849-6

Recommended PC Board Layout

