

4

3

2

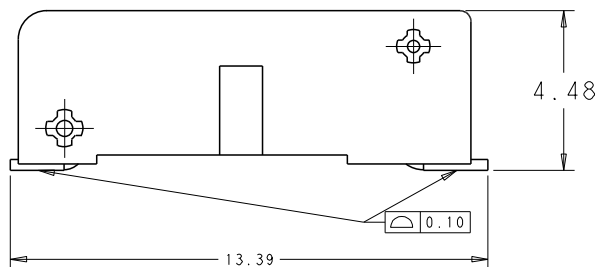
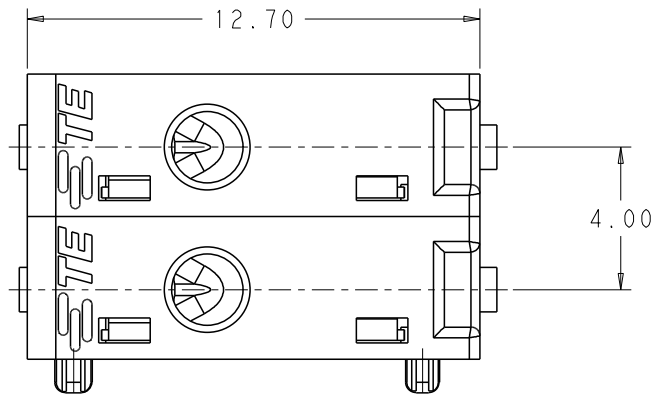
1

THIS DRAWING IS UNPUBLISHED. RELEASED FOR PUBLICATION 20
© COPYRIGHT 20 BY - ALL RIGHTS RESERVED.

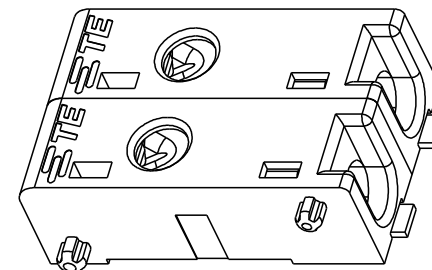
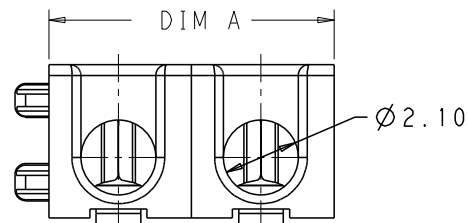
REVISIONS				
P	LYR	DESCRIPTION	DATE	DWN APVD
A		ECR-15-012540, RELEASE TO PRODUCTION	25AUG2015	G. F S. M
B		ECR-15-016620, ADD PCB LAYOUT	20NOV2015	G. F S. M

NOTES :

- 1. MATERIALS AND FINISH:
 - HOUSING: HIGH TEMPERATURE RESIN
 - CONTACTS: COPPER ALLOY, FINISH: PRE-TIN OVER NICKEL UNDERPLATE
- 2. MUST COMPLY WITH DIRECTIVE 2002/95/EC (ROHS)
- 3. WIRE TYPES AND SIZES ACCEPTED
 - SOLID WIRE: 18AWG, 20AWG, 22AWG, 16AWG (ONLY ONE TIME INSERTING)
 - STRANDED WIRE (TIN-DIPPED): 18AWG (STRANDS:16); 20AWG (STRANDS:7); 22AWG (STRANDS:7)
 - MAX INSULATION OD: 2.05mm MAX.
 - STRIP LENGTH: 8.0±0.5mm
- 4. PACKAGED IN TAPE AND REEL



SCALE 10:1



SCALE 8:1

THIS DRAWING IS A CONTROLLED DOCUMENT.		DWN - GEORGE FU 20NOV2015	TE Connectivity		
		CHK - SHI MING 20NOV2015			
		APVD - XU XIANG 20NOV2015	NAME - CONNECTOR ASSEMBLY		
DIMENSIONS:		PRODUCT SPEC		RESTRICTED TO	
TOLERANCES UNLESS OTHERWISE SPECIFIED:		108-137055		SIZE CAGE CODE DRAWING NO	
0 PLC ±- 1 PLC ±0.2 2 PLC ±0.13 3 PLC ±- 4 PLC ±- ANGLES ±- FINISH *		APPLICATION SPEC		A2 - ©=2834006	
MATERIAL		WEIGHT		SCALE 10:1 SHEET 1 OF 3 REV B	
		CUSTOMER DRAWING			

4

3


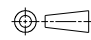
2

1

THIS DRAWING IS UNPUBLISHED. RELEASED FOR PUBLICATION 20
 © COPYRIGHT 20 BY - ALL RIGHTS RESERVED.

REVISIONS				
P	LYR	DESCRIPTION	DATE	APPV
-		SEE SHEET 1		

20.00	5 HSG:3 POSN	-	-	-	-	5-2834006-0	6-2834006-0	7-2834006-0	8-2834006-0	-
	COLOR	-	-	-	-	BLACK/BLACK SPACER/ RED/RED SPACER/ NATURE	NATURE/BLACK SPACER/RED/BLACK SPACER/NATURE	RED/RED SPACER /NATURE/NATURE SPACER/BLACK	NATURE/NATURE SPACER/BLACK /BLACK SPACER/RED	-
20.00	5 Position	2834006-5	2-2834006-5	3-2834006-5	4-2834006-5	5-2834006-5	6-2834006-5	7-2834006-5	8-2834006-5	9-2834006-5
	COLOR	NATURE(ALL)	BLACK(ALL)	RED(ALL)	BRIGHT WHITE (ALL)	BLACK/NATURE /BLACK/NATURE/RED	BLACK/RED/NATURE /BLACK/RED	NATURE/BLACK/RED /NATURE/RED	BLACK/NATURE/RED /BLACK/NATURE	RED/BLACK/NATURE /RED/NATURE
16.00	4 POSITION	2834006-4	2-2834006-4	3-2834006-4	4-2834006-4	5-2834006-4	6-2834006-4	7-2834006-4	8-2834006-4	9-2834006-4
	COLOR	NATURE(ALL)	BLACK(ALL)	RED(ALL)	BRIGHT WHITE (ALL)	BLACK/NATURE /BLACK/NATURE	BLACK/RED /BLACK/RED	NATURE/BLACK /NATURE/RED	NATURE/RED /BLACK/NATURE	BLACK/NATURE /RED/NATURE
12.00	3 HSG; 2 POSN	1-2834006-1	1-2834006-2	1-2834006-3	1-2834006-4	1-2834006-5	1-2834006-6	1-2834006-7	1-2834006-8	1-2834006-9
	COLOR	RED(ALL)	NATURE(ALL)	BLACK(ALL)	BRIGHT WHITE (ALL)	RED/NATURE SPACER /BLACK	BLAC/RED SPACER /NATURE	NATURE/RED SPACER /BLACK	BLACK/NATURE SPACER/RED	RED/BLACK SPACER /NATURE
12.00	3 POSITION	2834006-3	2-2834006-3	3-2834006-3	4-2834006-3	5-2834006-3	6-2834006-3	7-2834006-3	8-2834006-3	9-2834006-3
	COLOR	NATURE(ALL)	BLACK(ALL)	RED(ALL)	BRIGHT WHITE (ALL)	BLACK/NATURE/RED	NATURE/RED/BLACK	RED/BLACK/NATURE	BLACK/RED/NATURE	RED/NATURE/BLACK
8.00	2 POSITION	2834006-2	2-2834006-2	3-2834006-2	4-2834006-2	5-2834006-2	6-2834006-2	7-2834006-2	8-2834006-2	9-2834006-2
	COLOR	NATURE(ALL)	BLACK(ALL)	RED(ALL)	BRIGHT WHITE (ALL)	NATURE/RED	NATURE/BLACK	RED/BLACK	BLACK/NATURE	BLACK/RED
4.00	1 POSITION	2834006-1	2-2834006-1	3-2834006-1	4-2834006-1	-	-	-	-	-
	COLOR	NATURE(ALL)	BLACK(ALL)	RED(ALL)	BRIGHT WHITE (ALL)	-	-	-	-	-
DIM A	POSITION No	PART No								

THIS DRAWING IS A CONTROLLED DOCUMENT.		DWN - GEORGE FU 20NOV2015		
		CHK - SHI MING 20NOV2015		
DIMENSIONS: (mm)		APVD - XU XIANG 20NOV2015	NAME	
		PRODUCT SPEC		CONNECTOR ASSEMBLY RELEASEABLE POKE-IN
TOLERANCES UNLESS OTHERWISE SPECIFIED: 0 PLC ±. 1 PLC ±0.2 2 PLC ±0.13 3 PLC ±. 4 PLC ±. ANGLES ±. FINISH -		APPLICATION SPEC		
MATERIAL		108-137055		SIZE
		114-137055		CAGE CODE
		WEIGHT		DRAWING NO
		CUSTOMER DRAWING		A2
		SCALE 10:1		RESTRICTED TO
		SHEET 2 OF 3		REV B

4

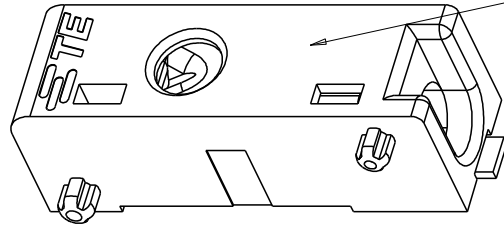
3

2

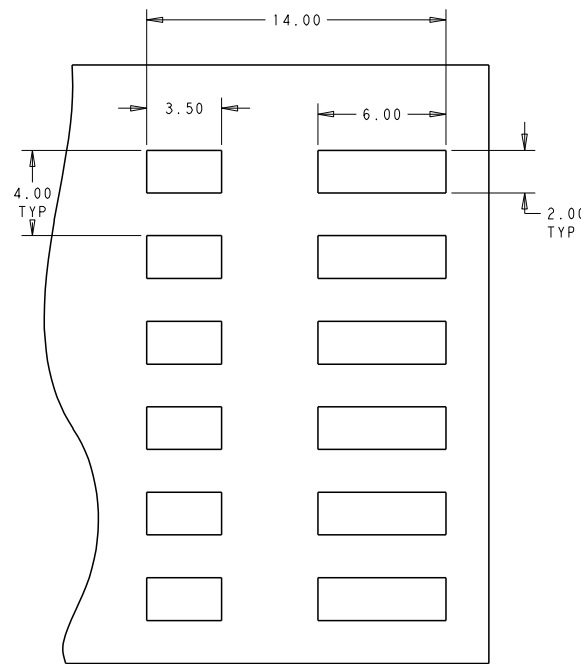
1

THIS DRAWING IS UNPUBLISHED. BY - ALL RIGHTS RESERVED. RELEASED FOR PUBLICATION 20

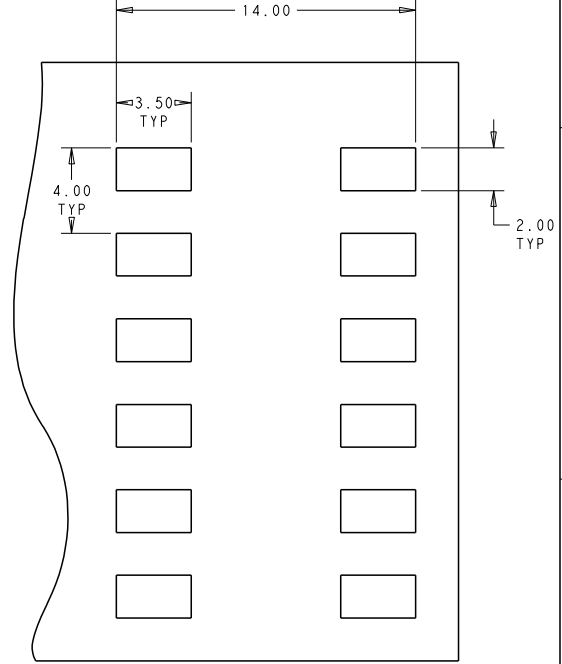
REVISIONS					
P	LYR	DESCRIPTION	DATE	DWN	APVD
-	-	SEE SHEET 1	-	-	-



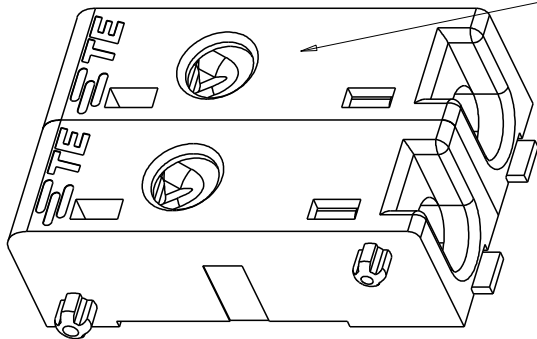
2834006-1
SCALE 10:1



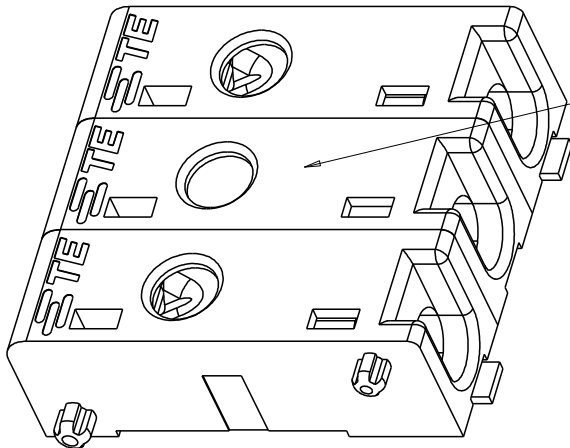
SCALE 6:1
RECOMMENDED PCB LAYOUT



SCALE 6:1
OPTIONAL PCB LAYOUT



2834006-2
SCALE 10:1



1-2834006-2
SCALE 10:1

THIS DRAWING IS A CONTROLLED DOCUMENT.		DWN - GEORGE FU 20NOV2015	TE Connectivity	
DIMENSIONS: (mm)		CHK - SHI MING 20NOV2015		
TOLERANCES UNLESS OTHERWISE SPECIFIED:		APVD - XU XIANG 20NOV2015	NAME - CONNECTOR ASSEMBLY RELEASABLE POKE-IN	
0 PLC ± 1 PLC ±0.2 2 PLC ±0.13 3 PLC ± 4 PLC ± ANGLES ± FINISH		PRODUCT SPEC - 108-137055	RESTRICTED TO	
MATERIAL - SEE SHEET 1		APPLICATION SPEC - 114-137055	SIZE - A2	CAGE CODE - 2834006
		WEIGHT -	SCALE - 10:1	SHEET 3 OF 3
		CUSTOMER DRAWING	REV B	