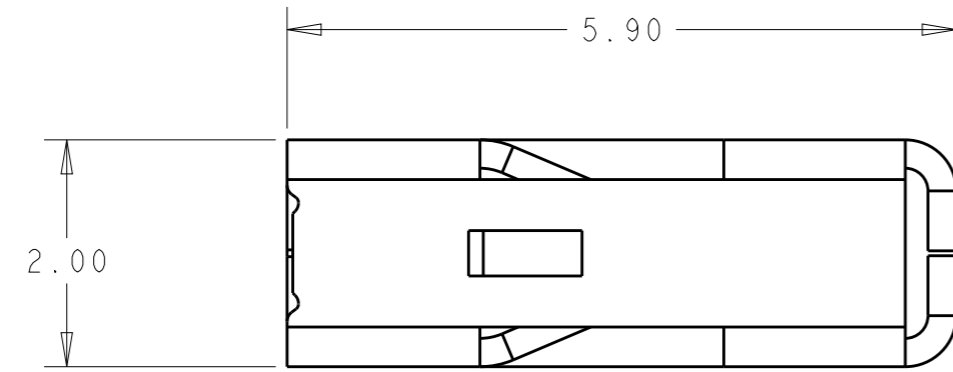


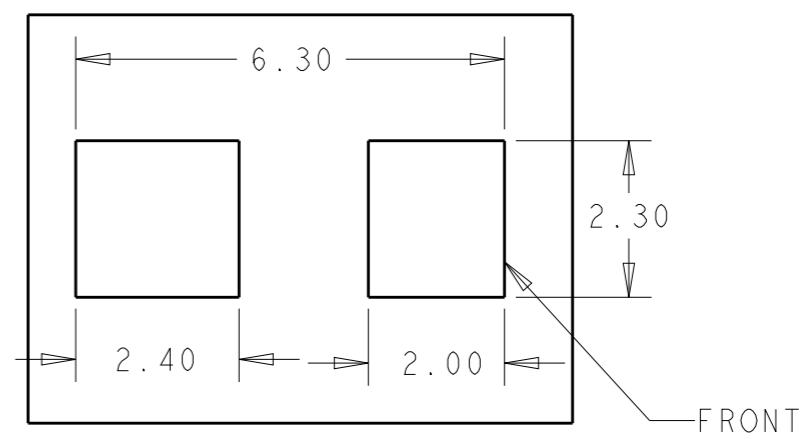
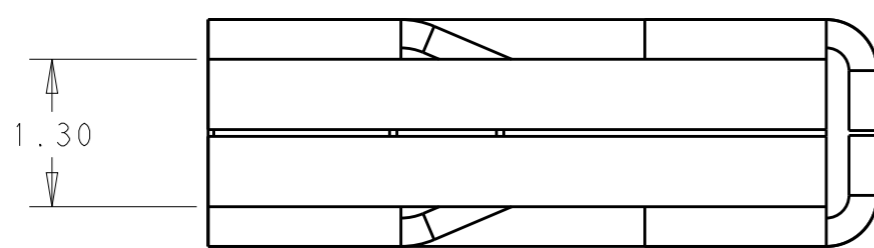
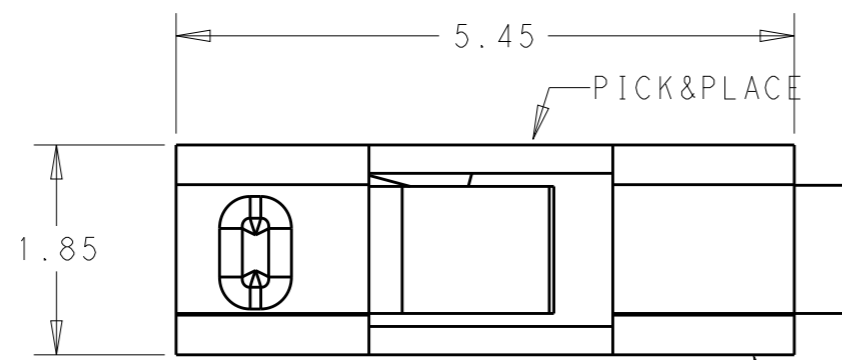
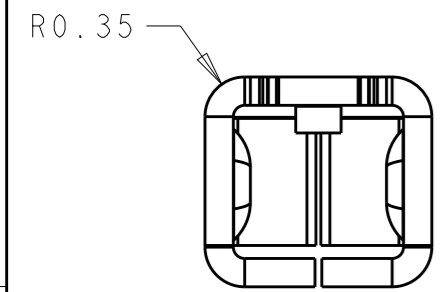
THIS DRAWING IS UNPUBLISHED. RELEASED FOR PUBLICATION 20
 © COPYRIGHT 20 BY - ALL RIGHTS RESERVED.

REVISIONS					
P	LTR	DESCRIPTION	DATE	DWN	APVD
	A	FIRST VERSION	04AUG2016	G.F	S.M
	A1	ADD PART NO	27OCT2016	G.F	S.M



NOTES :

- MATERIALS AND FINISH:
CONTACTS: COPPER ALLOY, FINISH: TIN OVER NICKEL UNDERPLATE
- MUST COMPLY WITH DIRECTIVE 2002/95/EC (ROHS)
- THIS PRODUCT HAS NOT COMPLETED VALIDATION TESTING
- WIRE TYPES AND SIZES ACCEPTED
WIRE SIZE: 20AWG SOLID & STRANDED (CONDUCTOR NO:26)
22AWG SOLID & STRANDED (CONDUCTOR NO:7)
24AWG SOLID
TIN-DIPPED FOR ALL STRANDED WIRE.
WIRE INSULATION MUST BE OUT THE CONTACT.
STRIP LENGTH: 6.0+/-0.3mm
- PACKAGED IN TAPE & REEL



SCALE 15:1

PART NO: 2834171-3

THIS DRAWING IS A CONTROLLED DOCUMENT.		DWN 27OCT2016 GEORGE FU	PRELIMINARY TE Connectivity											
DIMENSIONS: mm		CHK 27OCT2016 SHI MING												
TOLERANCES UNLESS OTHERWISE SPECIFIED:		APVD 27OCT2016 XU XIANG												
<table border="1"> <tr><td>0 PLC</td><td>±</td></tr> <tr><td>1 PLC</td><td>±0.20</td></tr> <tr><td>2 PLC</td><td>±0.13</td></tr> <tr><td>3 PLC</td><td>±</td></tr> <tr><td>4 PLC</td><td>±</td></tr> <tr><td>ANGLES</td><td>±</td></tr> </table>		0 PLC		±	1 PLC	±0.20	2 PLC	±0.13	3 PLC	±	4 PLC	±	ANGLES	±
0 PLC	±													
1 PLC	±0.20													
2 PLC	±0.13													
3 PLC	±													
4 PLC	±													
ANGLES	±													
MATERIAL TBD	FINISH -	APPLICATION SPEC 114-137166	NAME SMT ULTRAMINUATURE SLIM CONTACT											
		WEIGHT -	SIZE A3											
		CUSTOMER DRAWING	CAGE CODE -											
			DRAWING NO C=2834171											
			RESTRICTED TO -											
			SCALE 9:1											
			SHEET 1 OF 1											
			REV A1											