

Receptacle Housings

**Technical Features**

**No. of Positions:**

94 Positions Assembly

**Housing Material:**

PA 66 / PBT ASA GF

**Wire Size Range:**

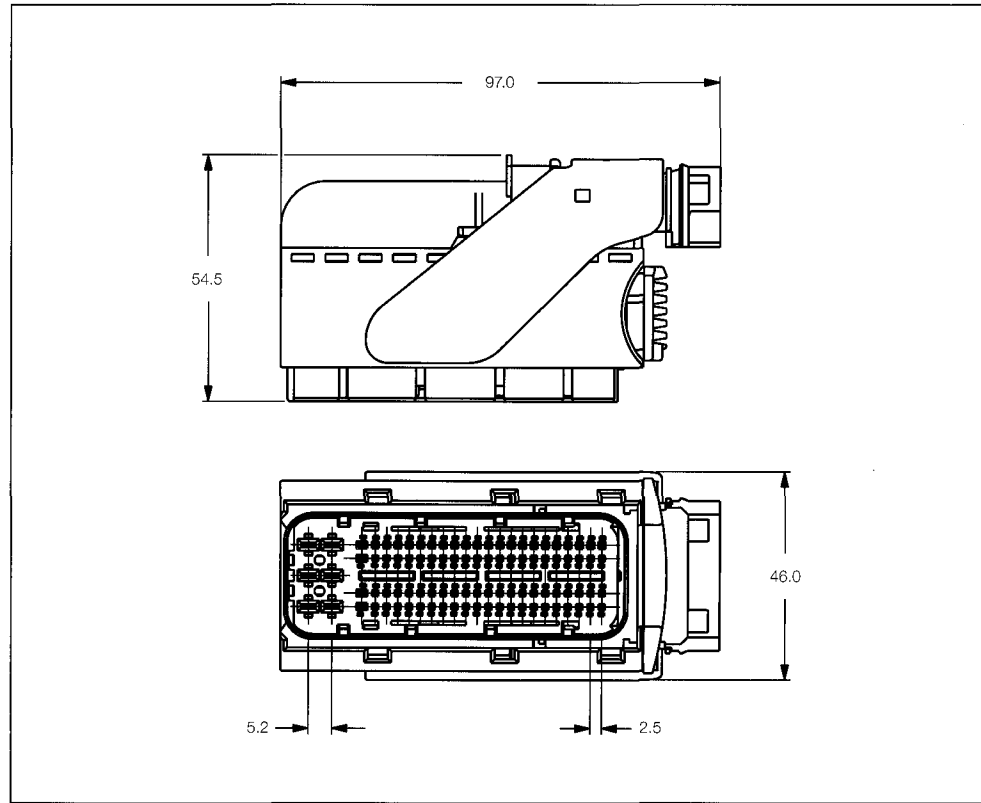
- 0.35–0.75 mm<sup>2</sup> Micro Quadlok Clean Body 0.63 mm
- 0.5–2.5 mm<sup>2</sup> AMP MCP 2.8K
- 0.75–1.5 mm<sup>2</sup> Micro Quadlok Clean Body 1.5 mm

**Product Specification:**

108-20235

**Application Specification:**

411-20067



**94 Position Receptacle Housings**

No. of Pos.	Keying Options	Housing Color	Part Numbers							
			Receptacle Housing	Cover	Locking Device	Cover and Lever	Retainer Housing	Mating Tab Housing	Mating PCB Header Right-Angle	Mating PCB Header Vertical
94	-	Black / Light-Brown	284743-1	-	-	-	-	-	-	-
			284743-2*	-	-	-	-	-	-	-

\* No C.P.A. supplied