

# Wire to Board Connectors

## CT (Common Termination) Connector System

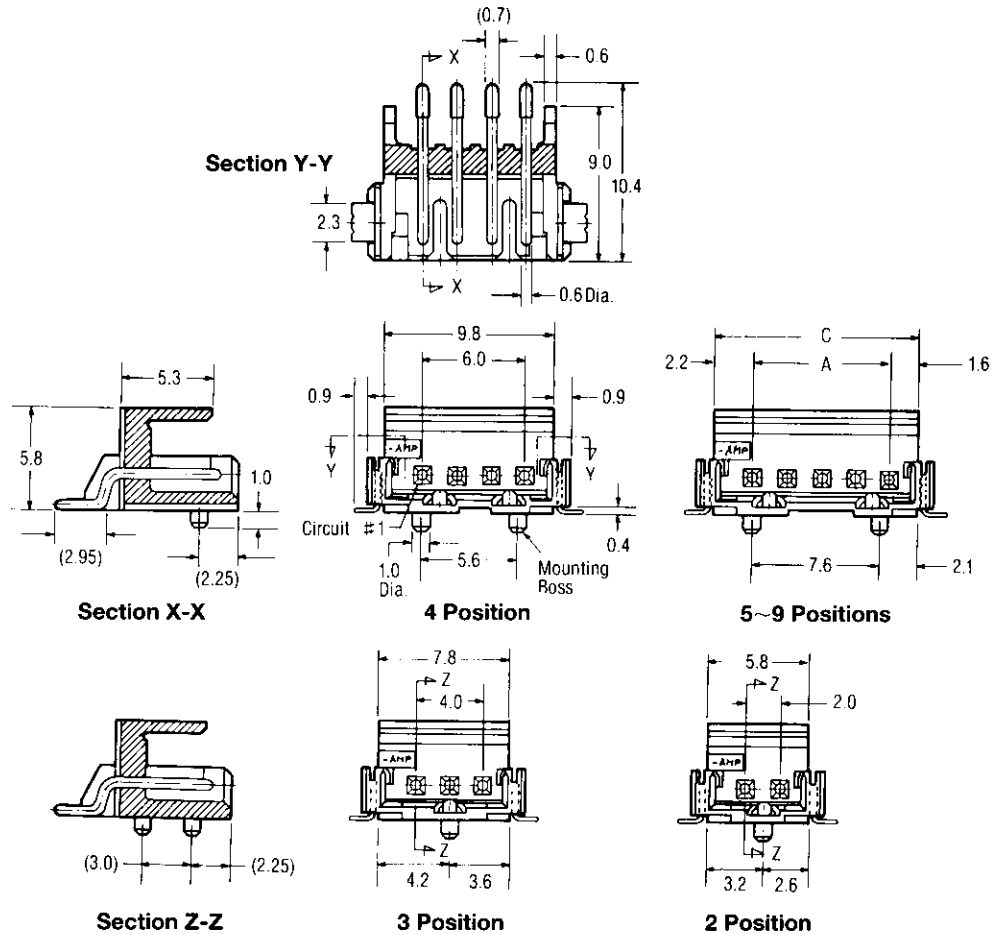
### Post Header Assemblies (For MT and Crimp Type)

#### Box Type SMT

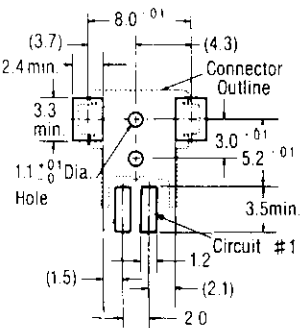
#### Horizontal Mount Type With Fixing Plate and Mounting Bosses

#### Material and Finish :

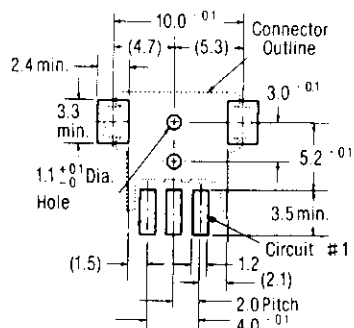
Housing—UL94V-0 rated,  
glass-filled PPS  
Post Contact—Pre-tinned  
brass



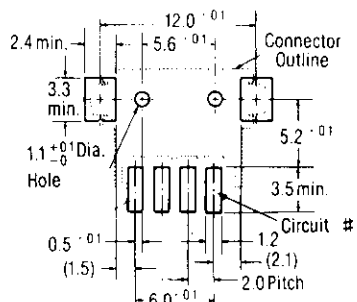
#### PC Board Layout



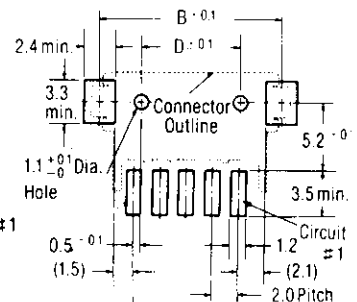
For 2 Position



For 3 Position



For 4 Position



For 5~9 Positions

No. of Pos.	Dimensions				Part Number of Post Header Assembly/ Emboss Tape Mounted*	ea.
	A	B	C	D		
2	—	—	5.8	—	292173-2	500
3	—	—	7.8	—	292173-3	500
4	—	—	9.8	—	292173-4	500
5	8.0	14.0	11.8	7.6	292173-5	500
6	10.0	16.0	13.8	9.6	292173-6	500
7	12.0	18.0	15.8	11.6	292173-7	500
8	14.0	20.0	17.8	13.6	292173-8	500
9	16.0	22.0	19.8	15.6	292173-9	500

\*The color of housing is black.  
Available natural (white) color.  
For details contact our Sales  
Department.