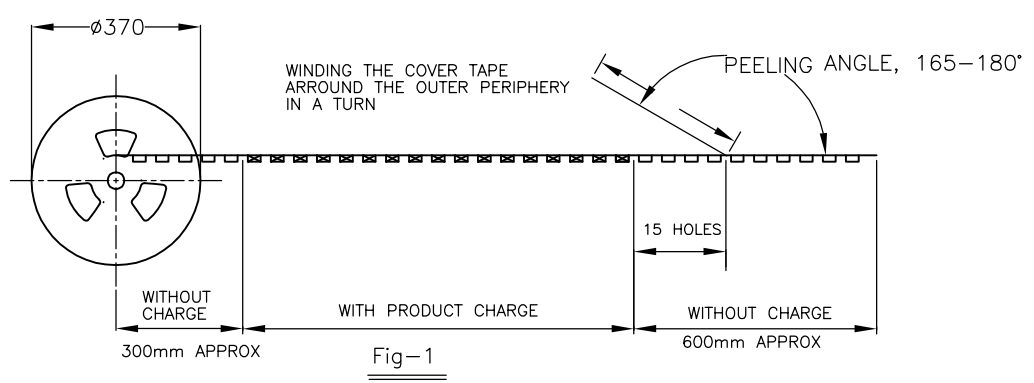
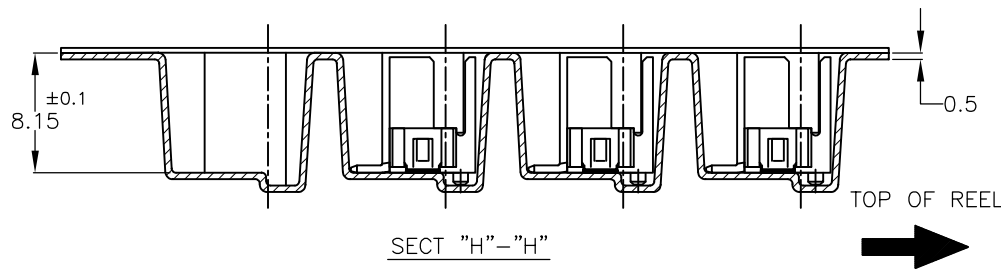
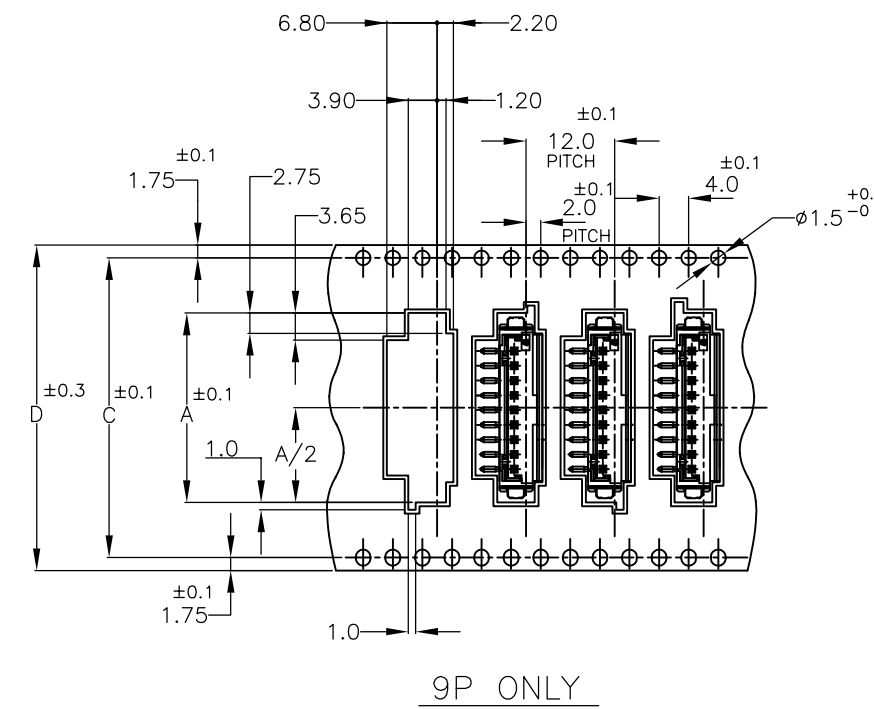
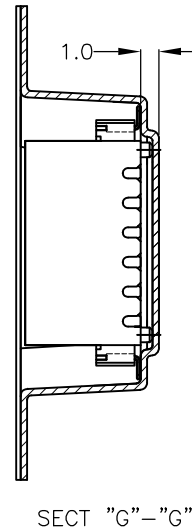
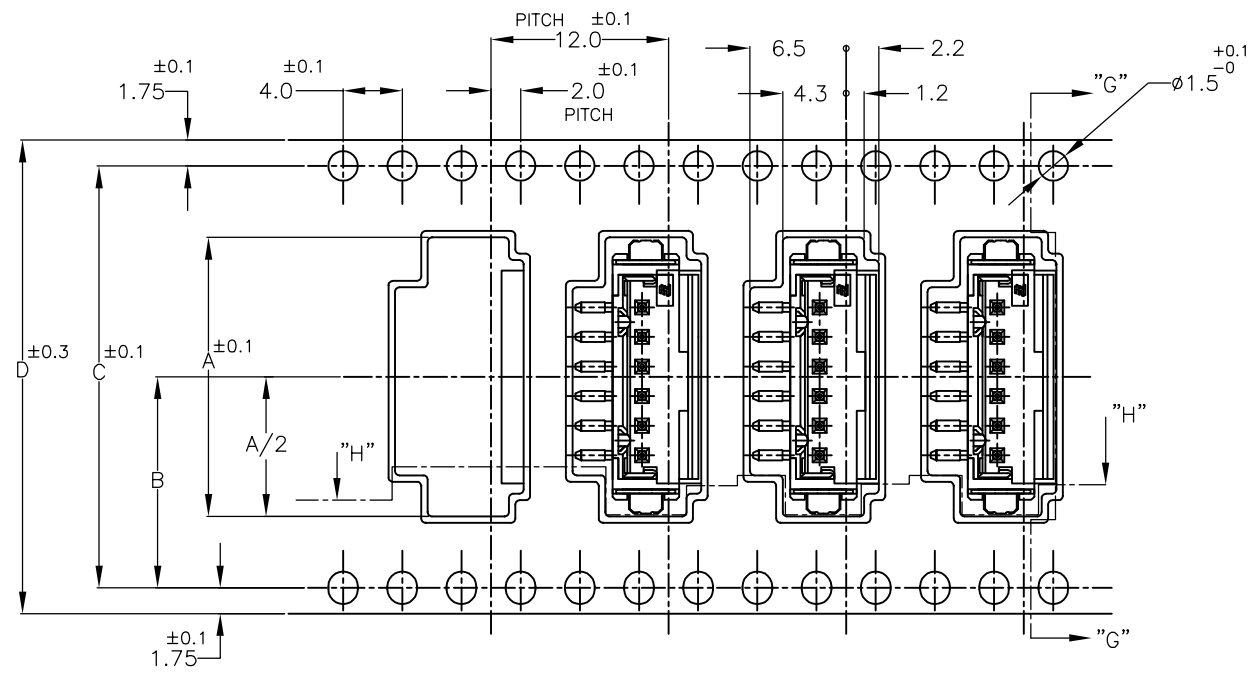


LOC	DIST	REVISIONS					
ES	00	P	LTR	DESCRIPTION	DATE	DWN	APVD
		C		REVISED PER ECR-13-012165	31JUL13	T.Q	S.Y

(AS SHOWN : -6)



BLACK		44.0	40.5	20.25	25.6	9	2-292174-9	
		44.0	40.4	20.2	22.9	8	2- -8	
		32.0	28.4	14.2	20.9	7	2- -7	
		32.0	28.4	14.2	18.9	6	2- -6	
		32.0	28.4	14.2	16.9	5	2- -5	
		32.0	28.4	14.2	14.9	4	2- -4	
		32.0	28.4	14.2	12.9	3	2- -3	
WITH	32.0	28.4	14.2	10.9	700	2	2-292174-2	
NATURAL		44.0	40.5	20.25	25.6	9	292174-9	
		44.0	40.4	20.2	22.9	8	-8	
		32.0	28.4	14.2	20.9	7	-7	
		32.0	28.4	14.2	18.9	6	-6	
		32.0	28.4	14.2	16.9	5	-5	
		32.0	28.4	14.2	14.9	4	-4	
		32.0	28.4	14.2	12.9	3	-3	
WITH	32.0	28.4	14.2	10.9	700	2	292174-2	
COLOR	PLATE	D	C	B	A	QTY/ REEL	POS	TAPING P/N

NOTES:  
 1. PEELING RESISTANCE: 0.196N(20gf)-0.686N(70gf)  
 PEELING SPEED: 300mm/min

TOLERANCE UNLESS OTHERWISE SPECIFIED	
10 > *	±0.2
30 > * > 10	±0.25
100 > * > 30	±0.3
ANGLE	±3°

THIS DRAWING IS A CONTROLLED DOCUMENT.

DWN JACK HOU 17SEP10  
 CHK MARTIN LI 17SEP10  
 APVD STEVEN YAO 17SEP10

TE Connectivity

ON TAPING (EMBOSS)  
 TE CT CONNECTOR POST HEADER ASS'Y  
 (BOX-V SMT W/BOSS & TAIL)

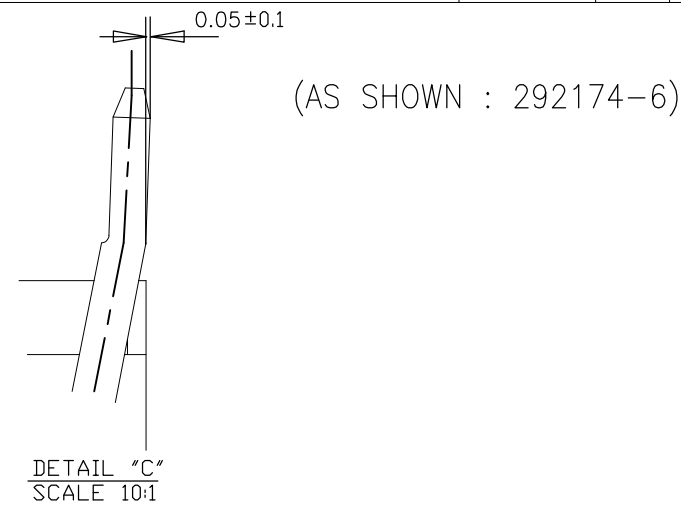
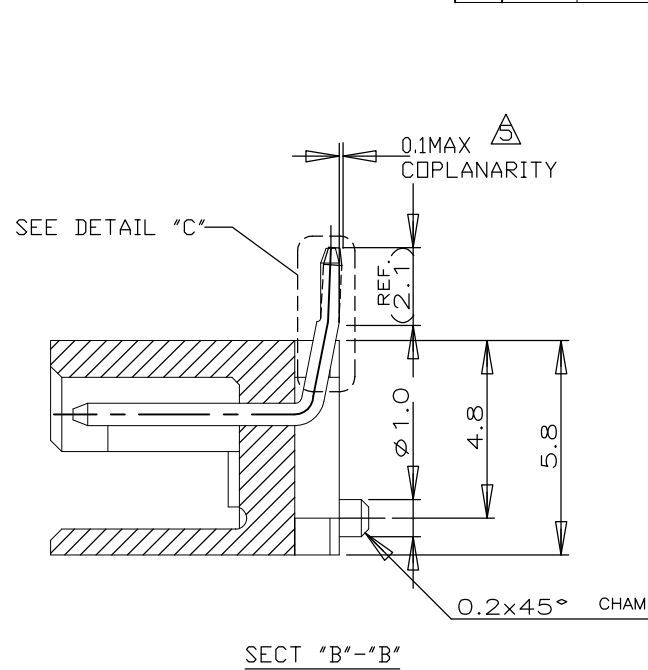
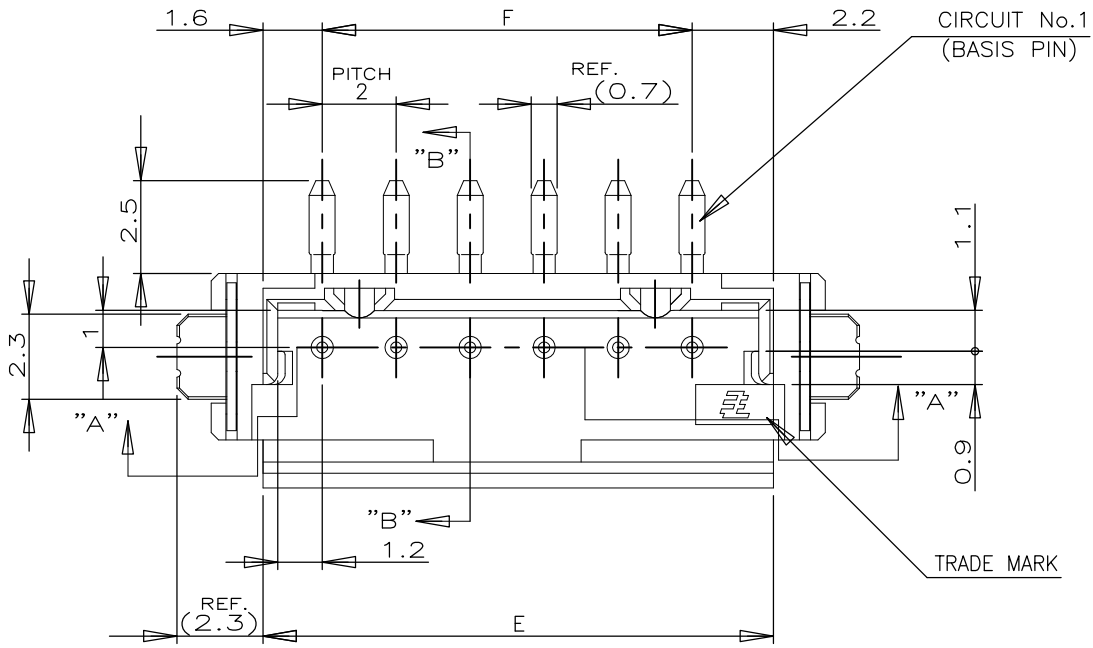
SIZE A3 CAGE CODE 00779 DRAWING NO C-292174 RESTRICTED TO -

CUSTOMER DRAWING SCALE 1:1 SHEET 1 OF 3 REV C

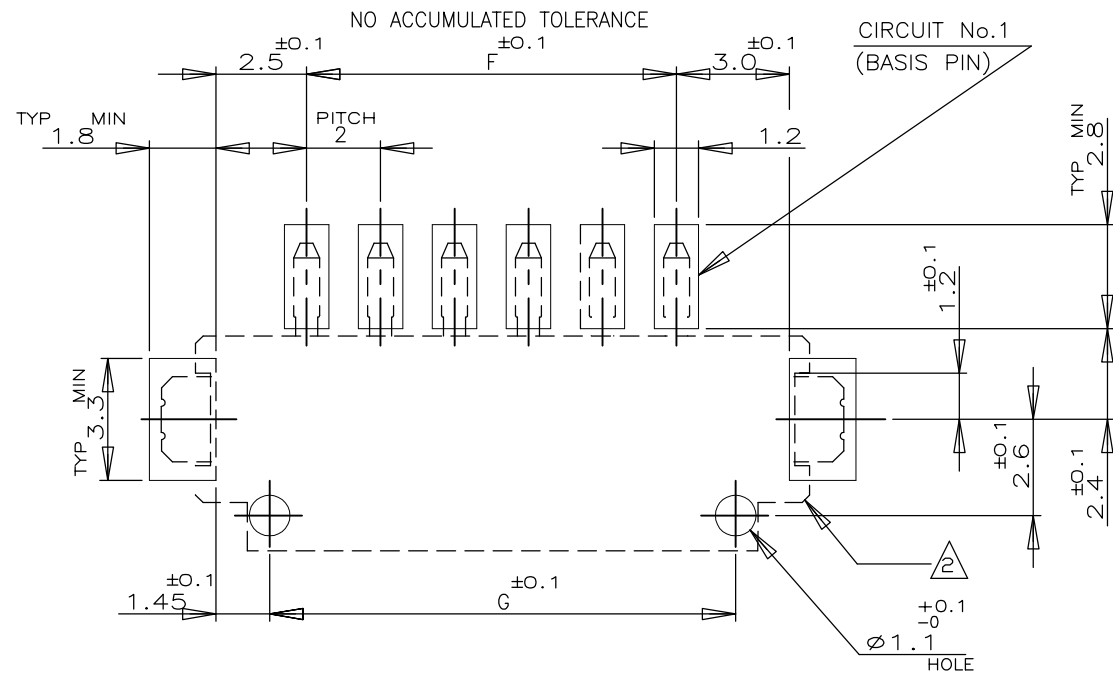
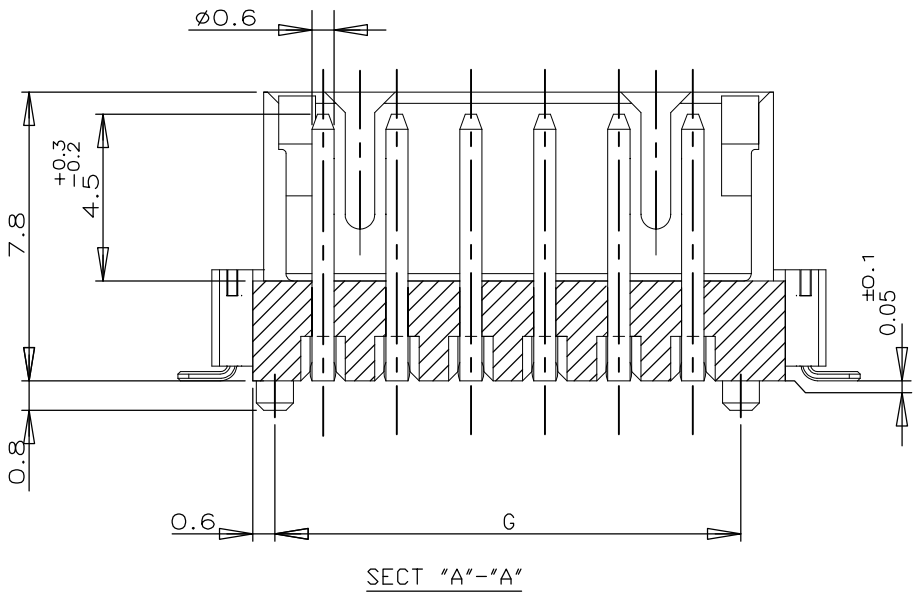


THIS DRAWING IS UNPUBLISHED. RELEASED FOR PUBLICATION  
 © COPYRIGHT - By - ALL RIGHTS RESERVED.

LOC	DIST	REVISIONS			
P	LTR	DESCRIPTION	DATE	DWN	APVD
ES	00	SEE SHEET 1	-	-	-



- NOTES;
- MATERIAL:HSG:6T PA(G.F.30%)(UL94V-0)  
 COLOR:BLACK OR NATURAL  
 POST:TIN BRASS  
 TAIL:TIN BRASS
  - OCCUPANT AREA ON PC BOARD
  - PRODUCT SPEC :108-60016
  - △ TO BE MEASURED WITH CONNECTOR PLACED ON HORIZONTAL DATUM SURFACE,FLOAT OF SOLDER TINE AND TAIL FROM DATUM SURFACE IS 0.1mm MAX



RECOMENOD P.C.BOARD LAYOUT  
 (P.C.B THK:0.8mm MIN)

12.6	10.0	13.8	6	292174-6
G	F	E	Pos.	NATURAL
				P/N

TOLERANCES UNLESS OTHERWISE SPECIFIED:

10**	: ±0.2
30**>10	: ±0.25
100**>30	: ±0.3
ANGEL	: ±3°

THIS DRAWING IS A CONTROLLED DOCUMENT.

DWN JACK HOU 17SEP10	TE Connectivity SMT TYPE POST HDR ASS'Y(V) WITH BOSS &WITH TAIL TYPE TE CT CONN. 2 mm PITCH
CHK MARTIN LI 17SEP10	
APVD STEVEN YAO 17SEP10	
PRODUCT SPEC SEE NOTE	
APPLICATION SPEC	NAME
WEIGHT	SIZE CAGE CODE DRAWING NO RESTRICTED TO
SEE NOTE	A3 00779 C-292174
MATERIAL SEE NOTE	FINISH SEE NOTE
CUSTOMER DRAWING	SCALE 5:1 SHEET 3 OF 3 REV C