

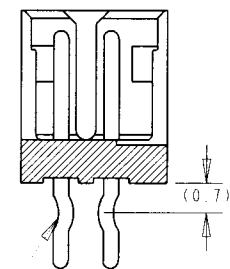
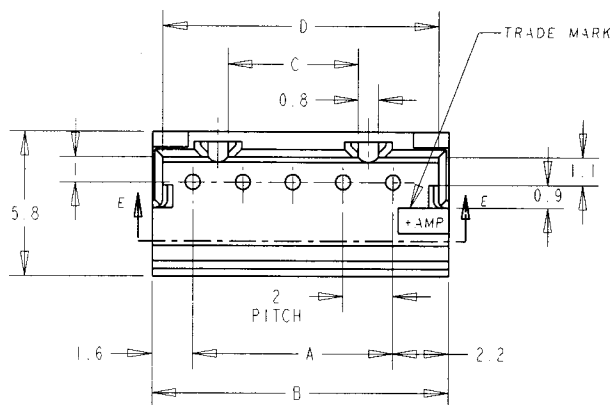
LOC FB DIST 00

REVISIONS

P	LTR	DESCRIPTION	DATE	DWN	APVD
0		RELEASED FB00-0013-03	23JAN03	J. J.	T. S.

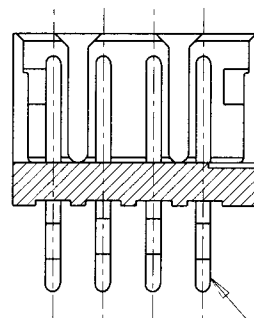
NOTES:

△ MATERIAL: HOUSING - 66 NYLON (UL94V-0)
POST - TIN BRASS



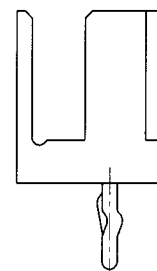
KINKING FORMING 2 PLACES

2 Pos.
SECT E-E



SECT E-E

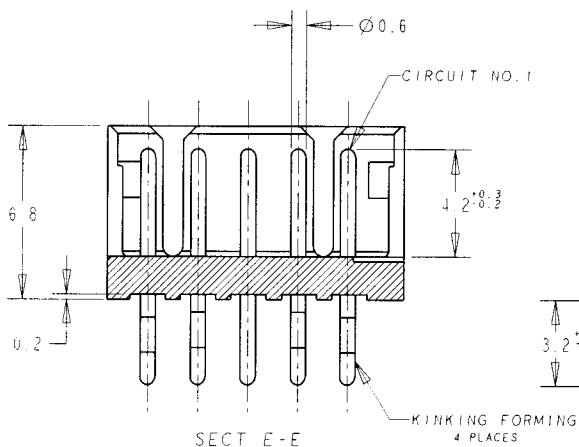
4 Pos. KINKING FORMING 4 PLACES



SECT E-E

KINKING FORMING 3 PLACES

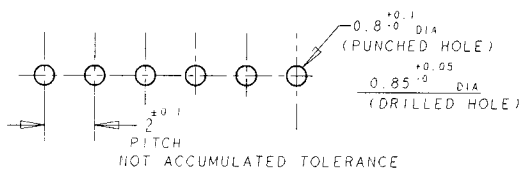
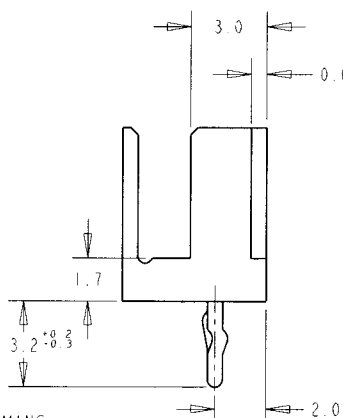
3 Pos.



SECT E-E

KINKING FORMING 4 PLACES

5 Pos.



RECOMMENDABLE P.C. BOARD LAYOUT
(PCB THK: 0.8-1.6)

	7-292132-5	5-292132-5	3-292132-5	1-292132-5	15	28	31.8	25.2	31.0
	7-4	5-4	3-4	1-4	14	26	29.8	23.2	29.0
	7-3	5-3	3-3	1-3	13	24	27.8	21.2	27.0
	7-2	5-2	3-2	1-2	12	22	25.8	19.2	25.0
	7-1	5-1	3-1	1-1	11	20	23.8	17.2	23.0
	7-0	5-0	3-0	1-0	10	18	21.8	15.2	21.0
	6-9	4-9	2-9	0-9	9	16	19.8	13.2	19.0
	6-8	4-8	2-8	0-8	8	14	17.8	11.2	17.0
	6-7	4-7	2-7	0-7	7	12	15.8	9.2	15.0
8-292132-6	6-6	4-6	2-6	0-6	6	10	13.8	7.2	13.0
	6-5	4-5	2-5	0-5	5	8	11.8	5.2	11.0
	6-4	4-4	2-4	0-4	4	6	9.8	3.2	9.0
	6-3	4-3	2-3	0-3	3	4	7.8	—	7.0
6-292132-2	4-292132-2	2-292132-2	292132-2	2	2	2	5.8	—	5.0
RED	BLACK	YELLOW	BLUE	NATURAL	Pos.	A	B	C	D

THIS DRAWING IS A CONTROLLED DOCUMENT FOR TYCO ELECTRONICS CORPORATION. IT IS SUBJECT TO CHANGE AND THE CONTROLLING ENGINEERING ORGANIZATION SHOULD BE CONTACTED FOR THE LATEST REVISION.

DIMENSIONS: mm		TOLERANCES UNLESS OTHERWISE SPECIFIED: 10 > ±0.2 30 ≥ 10 ±0.25 100 ≥ 30 ±0.3 ANGLE: ±3°		DWN J. JIANG 23JAN03 CHK S. YAO 23JAN03 APVD T. SASAKI 23JAN03		Tyco Electronics Corporation Shanghai, P.R.China 200253	
MATERIAL		FINISH		NAME		PRODUCT SPEC	
				108-60016		POST HEADER ASS'Y (BOX-V DIP) (AMP CT CONNECTOR 2mm PITCH)	
				APPLICATION SPEC		RESTRICTED TO	
				WEIGHT		SCALE 5:1 SHEET 1 OF 2 REV 0	
				CUSTOMER DRAWING		A3 00779 ©=292132	

4

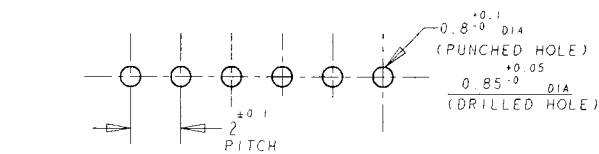
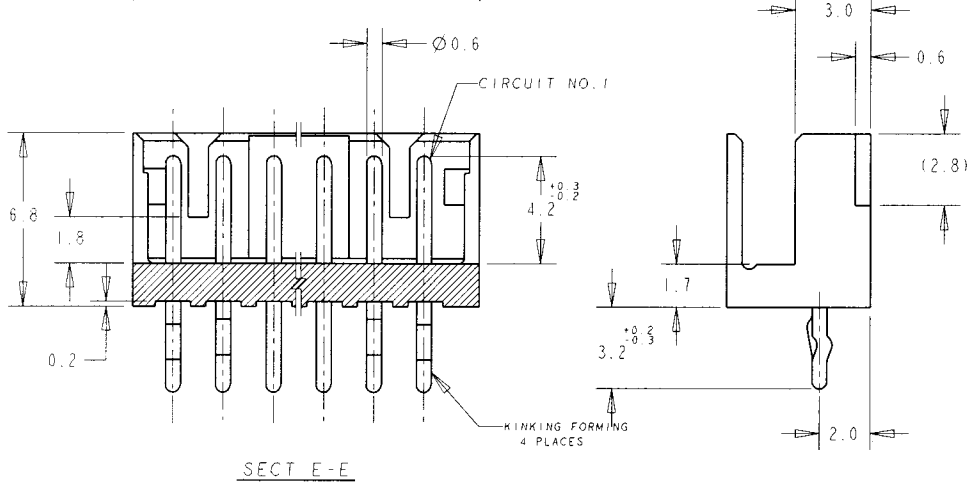
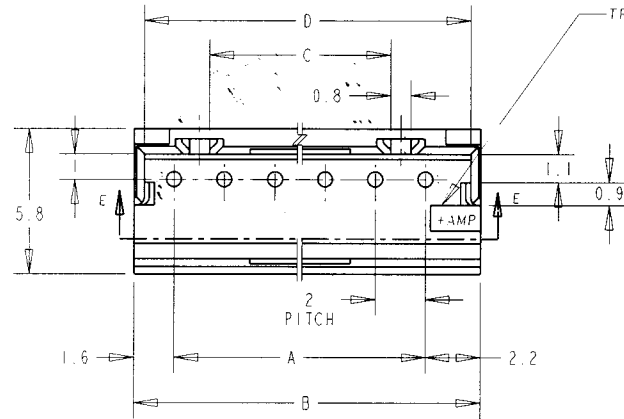
3

2

1

THIS DRAWING IS UNPUBLISHED. RELEASED FOR PUBLICATION
BY TYCO ELECTRONICS CORPORATION ALL RIGHTS RESERVED.

LOC	DIST	REVISONS					
FB	00	P	LTR	DESCRIPTION	DATE	DWR	APVD
		-		SEE SHEET 1			



NOT ACCUMULATED TOLERANCE
RECOMMENDABLE P.C. BOARD LAYOUT
(PCB THK: 0.8-1.6)

NOTES;
 △ MATERIAL: HOUSING - 66 NYLON (UL94V-0)
 POST - TIN BRASS

	7-292132-5	5-292132-5	3-292132-5	1-292132-5	15	28	31.8	25.2	31.0
	7-▲-4	5-▲-4	3-▲-4	1-▲-4	14	26	29.8	23.2	29.0
	7-▲-3	5-▲-3	3-▲-3	1-▲-3	13	24	27.8	21.2	27.0
	7-▲-2	5-▲-2	3-▲-2	1-▲-2	12	22	25.8	19.2	25.0
	7-▲-1	5-▲-1	3-▲-1	1-▲-1	11	20	23.8	17.2	23.0
	7-▲-0	5-▲-0	3-▲-0	1-▲-0	10	18	21.8	15.2	21.0
	6-▲-9	4-▲-9	2-▲-9		9	16	19.8	13.2	19.0
	6-▲-8	4-▲-8	2-▲-8		8	14	17.8	11.2	17.0
	6-▲-7	4-▲-7	2-▲-7		7	12	15.8	9.2	15.0
8-292132-6	6-▲-6	4-▲-6	2-▲-6		6	10	13.8	7.2	13.0
	6-▲-5	4-▲-5	2-▲-5						
	6-▲-4	4-▲-4	2-▲-4						
	6-▲-3	4-▲-3	2-▲-3						
	6-292132-2	4-292132-2	2-292132-2	292132-2					
RED	BLACK	YELLOW	BLUE	NATURAL	(SEE SHEET 1 OF 2)				
PART NO.					Pos.	A	B	C	D

THIS DRAWING IS A CONTROLLED DOCUMENT FOR TYCO ELECTRONICS CORPORATION
 IT IS SUBJECT TO CHANGE AND THE CONTROLLING ENGINEERING ORGANIZATION
 SHOULD BE CONTACTED FOR THE LATEST REVISION.

DIMENSIONS: mm	TOLERANCES UNLESS OTHERWISE SPECIFIED: 10 ≥ ±0.2 30 ≥ 10 ±0.25 100 ≥ 30 ±0.3 ANGLE ±3°	DWN	Tyco Electronics Corporation Shanghai, P.R.China.200233
		CHK	
		APVD	NAME
		PRODUCT SPEC	POST HEADER ASS'Y (BOX-V DIP) (AMP CT CONNECTOR 2mm PITCH)
		APPLICATION SPEC	SIZE CAGE CODE DRAWING NO RESTRICTED TO
MATERIAL	FINISH	WEIGHT	A3 00779 C=292132
		CUSTOMER DRAWING	SCALE 5:1 SHEET 2 OF 2 REV 0