

THIS DRAWING IS UNPUBLISHED.

RELEASED FOR PUBLICATION

© COPYRIGHT - new logo 2011

ALL RIGHTS RESERVED.

LOC
H

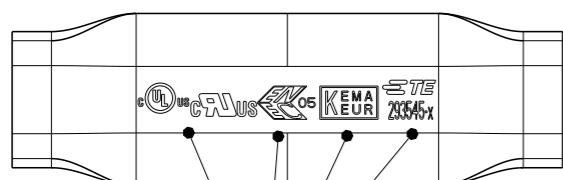
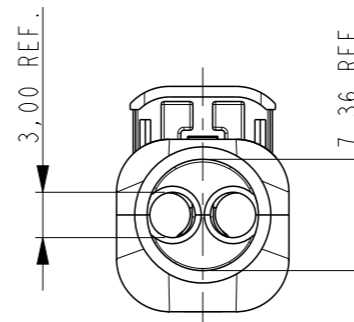
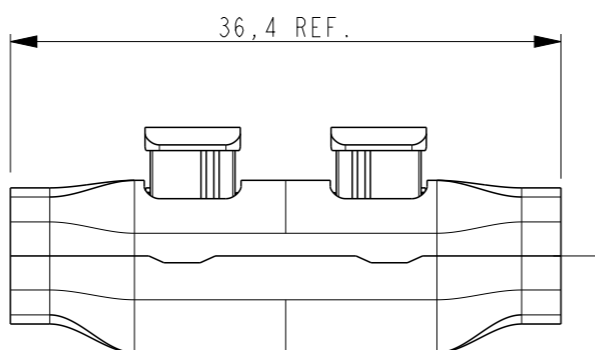
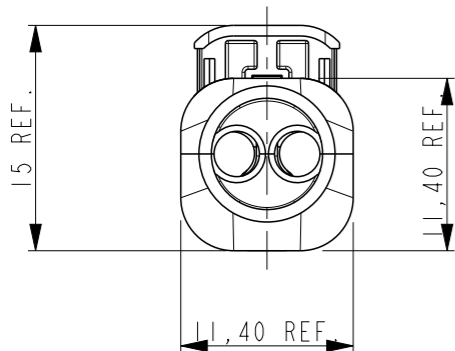
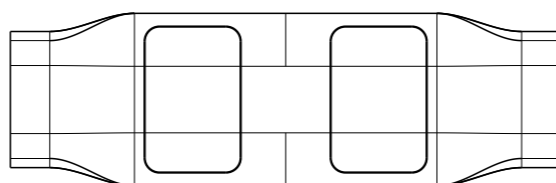
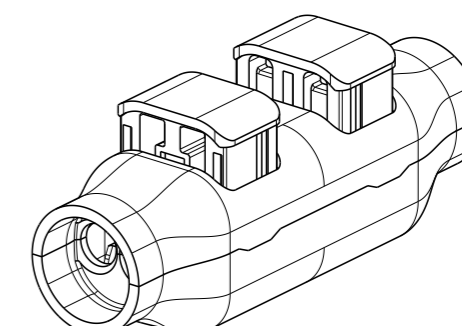
DIST
-

REVISIONS

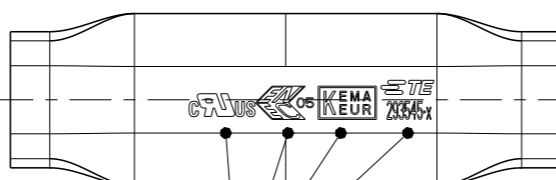
P	LTR	DESCRIPTION	DATE	DWN	APVD
G2		CHANGES PER ECR-14-011255	01AUG2014	RS	DD
G3		CHANGES PER ECR-15-005296	22APR2015	RS	DD
J		CHANGES PER ECR-15-015178	20OCT2015	RS	DD
J1		CHANGES PER ECR-15-018001	17DEC2015	RS	DD

NOTES:

- 1 CONNECTOR ACCEPT MULTIPLE WIRES SIZES: SEE TABLE.
- 2 HOUSING AND BUTTON MATERIAL : POLYCARBONATE
- 3 IDC CONTACT MATERIAL: PhBR
- 4 PRINTING LOGO'S: P/N 293545-1 and -3: cURus, ENEC, KEMA, PARTNUMBER, TE.
- 5 PRINTING LOGO'S: P/N 293545-2 and -4: cULus, cURus, ENEC, KEMA, PARTNUMBER, TE.
- 6 WIRE INSULATION DIAMETER RANGE IS FROM 1.75 TO 2.85 mm



SEE NOTE 5



SEE NOTE 4

HOUSING COLOR	PARTNUMBER	DESCRIPTION	CABLE SIZE
YELLOW TRANSPARENT	293545-4	SPLICING CONNECTOR SEALED	AWG 20 (0.52mm ²) / AWG 22 (0.33mm ²)
	293545-3	SPLICING CONNECTOR UNSEALED	AWG 20 (0.52mm ²) / AWG 22 (0.33mm ²)
CLEAR	293545-2	SPLICING CONNECTOR SEALED	AWG 18 (0.82mm ²) TO 0.75mm ²
	293545-1	SPLICING CONNECTOR UNSEALED	AWG 18 (0.82mm ²) TO 0.75mm ²

THIS DRAWING IS A CONTROLLED DOCUMENT.		DWN 04MAR2010 J.v.d.Krogt	TE Connectivity SPLICING CONNECTOR	
DIMENSIONS: mm		CHK 04MAR2010 J.v.d.Krogt		
TOLERANCES UNLESS OTHERWISE SPECIFIED:		APVD 06MAR2010 O.Leijnse		
0 PLC ± 1 PLC ±0.2 2 PLC ±0.15 3 PLC ± 4 PLC ± ANGLES ±3° FINISH SEE NOTES		PRODUCT SPEC 108-19419		
MATERIAL SEE NOTES	FINISH SEE NOTES	APPLICATION SPEC 114-19136	NAME	RESTRICTED TO
		WEIGHT -	SIZE A3	CAGE CODE 00779
		Customer Drawing	DRAWING NO C-293545	SCALE 2:1
			SHEET 1	OF 1
			REV J1	