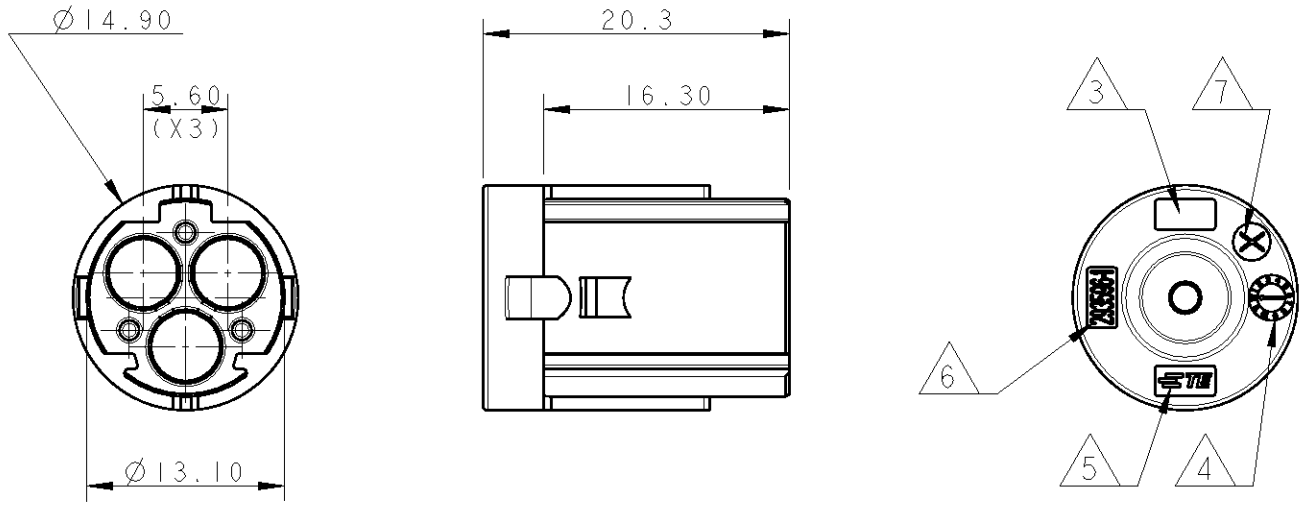


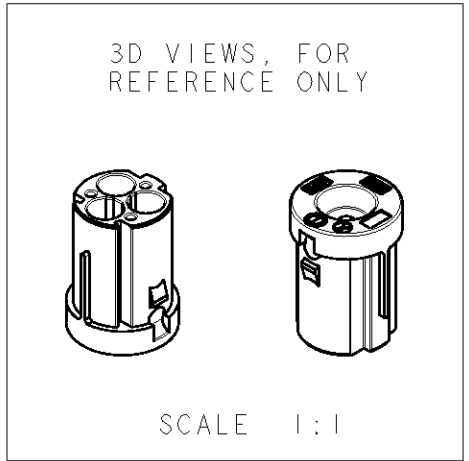
LOC	DIST	REVISIONS				
P	LTR	DESCRIPTION	DATE	DWN	APVD	
	B1	REVISED MARKINGS	06NOV2012	MZ	JC	



NOTES:

- 1) MATERIAL: POLYAMIDE GLASS FILLED
COLOUR GRAY
- 2) PACKAGING: SEE TE PACKAGING
SPECIFICATION 107-20294

- 3 AREA FOR AGENCY APPROVAL LOGO
- 4 DATE CODE
- 5 TE LOGO
- 6 TE PART NUMBER
- 7 TOOL CAVITY CODE



GRAY	SOCKET CAP NECTOR* M-LINE	B	293596-1
COLOUR	DESCRIPTION	REV.	PART NUMBER

2010
 RELEASED FOR PUBLICATION
 ALL RIGHTS RESERVED.
 BY -
 COPYRIGHT 2010
 THIS DRAWING IS UNPUBLISHED.

DIMENSIONS: mm TOLERANCES UNLESS OTHERWISE SPECIFIED: 0 PLC ±- 1 PLC ±0.3 2 PLC ±0.20 3 PLC ±- 4 PLC ±- ANGLES ±3°	DWN M. ZUCCA 10DEC2009 CHK M. ZUCCA 10DEC2009 APVD G. TURCO 10DEC2009	MATERIAL NOTE 1 FINISH -
	PRODUCT SPEC 108-20304 APPLICATION SPEC 114-20152 WEIGHT ~2.5 g	NAME SOCKET CAP NECTOR* M-LINE
	SIZE A4 CAGE CODE 00779 DRAWING NO G=293596	RESTRICTED TO -
Customer Drawing	SCALE 2:1	SHEET 1 OF 1 REV B1