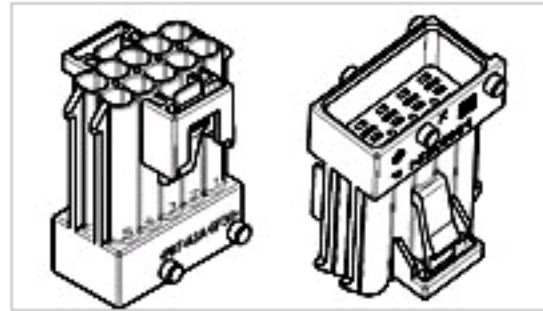


2-962352-1 Product Details

[Share](#) | [Print](#) | [Email](#)


Active

[View 3D PDF](#)

Timer Connectors & Accessories

10P MESSERLEIS-GEH

2-962352-1

TE Internal Number: 2-962352-1

Product Highlights [View All](#)

- Connector
- Housing
- Connector Style = Plug
- Not Preloaded
- Contact Type = Tab

- [Pricing & Availability](#)
- [Request Sample](#)
- [Add to My Part List](#)
- [Buy Product through Distributor](#)

Feedback

[Documents](#) | [Features](#) | [Compliance](#)

Please Note:
Use the Product Drawing for all design activity

Product Type Features	
Product Type	Connector
Connector Type	Housing
Type of Connector	2.8, JPT
Sealed	No
Dimensions	
Mating Area Interface Dimensions (mm [in])	2.79 x 0.8 [.110 x .032]
Contact Features	
Contact Type	Tab
Housing Features	
Connector Style	Plug
Housing Material	PBT/ASA GF30
Housing Color	Gray

Configuration Features	
Preloaded	No
Number of Positions	10
Industry Standards	
RoHS/ELV Compliance	RoHS compliant, ELV compliant
Lead Free Solder Processes	Not relevant for lead free process
RoHS/ELV Compliance History	Always was RoHS compliant
Packaging Features	
Packaging Method	Box/Carton
Other	
Brand	AMP
Node Classification	Automotive Connectors

Related Products

Not quite the product you're looking for?
[Find Similar Products](#)

[View Part in Product Feature Selector](#)

[Check for Tooling](#)

- Corporate Information**
- [About TE](#)
 - [Investors](#)
 - [News Room](#)
 - [Supplier Portal](#)
 - [Careers](#)
 - [Terms & Conditions](#)
 - [Privacy Policy](#)
 - [Global Accessibility Statement](#)

- Quick Links**
- [Distributor Inventory](#)
 - [Product Cross Reference](#)
 - [Documents & Drawings](#)
 - [Product Compliance Support Center](#)
 - [Site Map](#)

- Customer Support**
- [Email or Chat With Us](#)
 - [Find a Phone Number](#)
 - [Knowledge Base](#)
 - [Manage Your Account](#)

Keep Me Informed