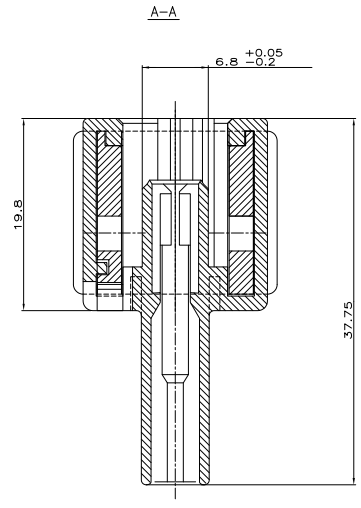
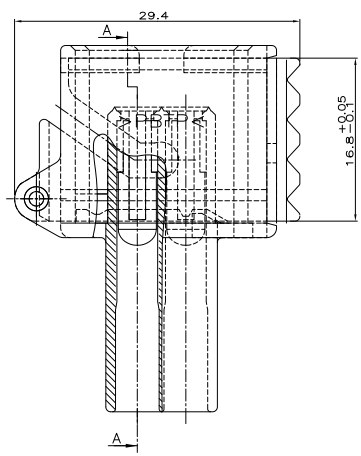
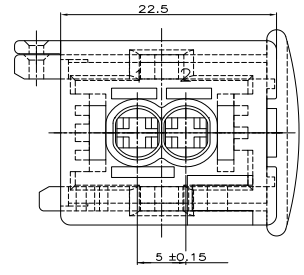
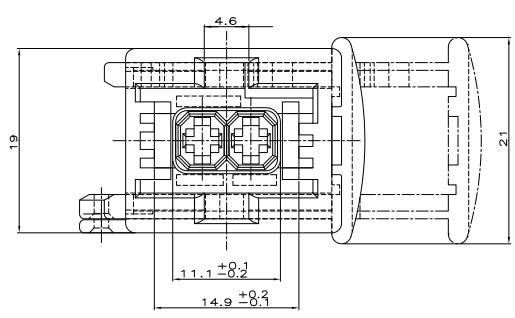


REVISED PER		REVISIONS	DATE	BY	APP
AS1-5217	FS	REVISED PER EDD-11-00150	21MAR11	RK	HMR



- ① FOR Au-VERSION OF CONTACT USE 1-XXXXXX-1
- ② WATERTIGHTNESS ACC. GMI 12590; 5.10. FURTHER INFORMATIONS SEE PRODUCT-SPECIFICATION: 108-18102-1/...-9



CONTACT-SYSTEM	STRIP ORDER-NO.	WIRE SIZE [mm <sup>2</sup> ]	MATERIAL	FINISH	SINGLE WIRE SEAL	COLOR	WATER-TIGHTNESS
JPT	0-0929937-1	1.5 - 2.5	CuFe 2	TINNED	0-0828905-1	WHITE	IPX 9K
JPT	0-0929939-1	0.75 - 1.0	CuFe 2	TINNED	0-0828904-1	LIGHT BLUE	IPX 9K
JPT	0-0929939-1	0.5	CuFe 2	TINNED	0-0963294-1	BLUE	IPX 9K
JPT	0-0929941-1	0.35	CuFe 2	TINNED	0-0963294-1	BLUE	IPX 9K

CUSTOMER PART NO.	PART NO.	REV.	PCB	MATERIAL	FINISH	DESCRIPTION	QTY	THIS DRAWING IS A CONTROLLED DOCUMENT.		TE Connectivity	
								DATE	BY	DATE	BY
	3-967239-1	F	1	PBT 30% GV	rot	Schieber	3	DATE	BY	DATE	BY
	0062506-3	F	1	PBT 30% GV	blau	JPT-Gehäuse, 2-polig	1	DATE	BY	DATE	BY
	0062506-3	F	1	PBT 30% GV	rot	Schieber	3	DATE	BY	DATE	BY
	1-967239-1	F	1	PBT 30% GV	grün	JPT-Gehäuse, 2-polig	2	DATE	BY	DATE	BY
	1-967239-1	F	1	PBT 30% GV	rot	Schieber	3	DATE	BY	DATE	BY
	0062506-3	F	1	PBT 30% GV	schwarz	JPT-Gehäuse, 2-polig	1	DATE	BY	DATE	BY

4

3

2

1

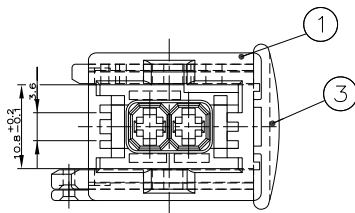
THIS DRAWING IS UNPUBLISHED.  
VERTRÄULICHE UNVERÖFFENTLICHTE ZEICHNUNG

RELEASED FOR PUBLICATION  
FREI FÜR VERÖFFENTLICHUNG  
ALL RIGHTS RESERVED.  
ALLE RECHTE VORBEHALTEN

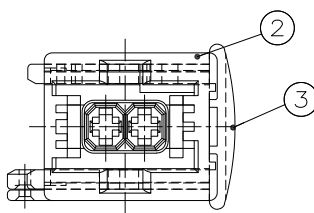
MATED WITH:  
PASSEND ZU:

LOC	DIST	REVISIONS ÄNDERUNGEN				
AI	-	P	LTR	DATE	DWN	APVD
PROJECT NR.:		DESCRIPTION BESCHREIBUNG				
-		SEE SHEET 1			-	-

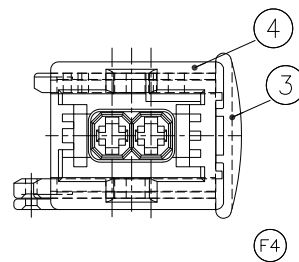
KODIERUNG A1



KODIERUNG B1



KODIERUNG C1



-	-	-	-	-	-	-	-
-	-	-	-	-	-	-	-
-	-	-	-	-	-	-	-
-	-	-	-	-	-	-	-
CUSTOMER PART NO	PART NO	REV.	PCS.	MATERIAL	SURFACE COLOR	DESCRIPTION	ITEM NO

THIS DRAWING IS A CONTROLLED DOCUMENT. DIESE ZEICHNUNG IST EIN KONTROLLIERTES DOKUMENT.		DWN S. Garcia 24.09.93	TE Connectivity JPT-Gehäuse, 2-polig		RESTRICTED TO NUR FÜR			
DIMENSIONS: MASSE/MAßSTÄBE IN MM 		CHK A. Machill 28.09.93				NAME		
TOLERANCES UNLESS OTHERWISE SPECIFIED: ALL DIMENSIONS TOLERANCES: 0 PLC ± 0.3 1 PLC ± 0.3 2-PLC ± 0.3 3 PLC ± - 4 PLC ± - ANGLES / WINKEL ± 1°		APVD	PRODUCT SPEC. PRODUKTSPEZ.	SIZE A3	CAGE CODE 00779	DRAWING NO. ZEICHNUNGS-NR. 967239		
MATERIAL		APPLICATION SPEC. VERARBEITUNGSSPEZ.	WEIGHT GEWICHT	CUSTOMER DRAWING/KUNDENZEICHNUNG		SCALE MASSSTAB 2:1	SHEET BLATT 2 OF VON 2	REV F5