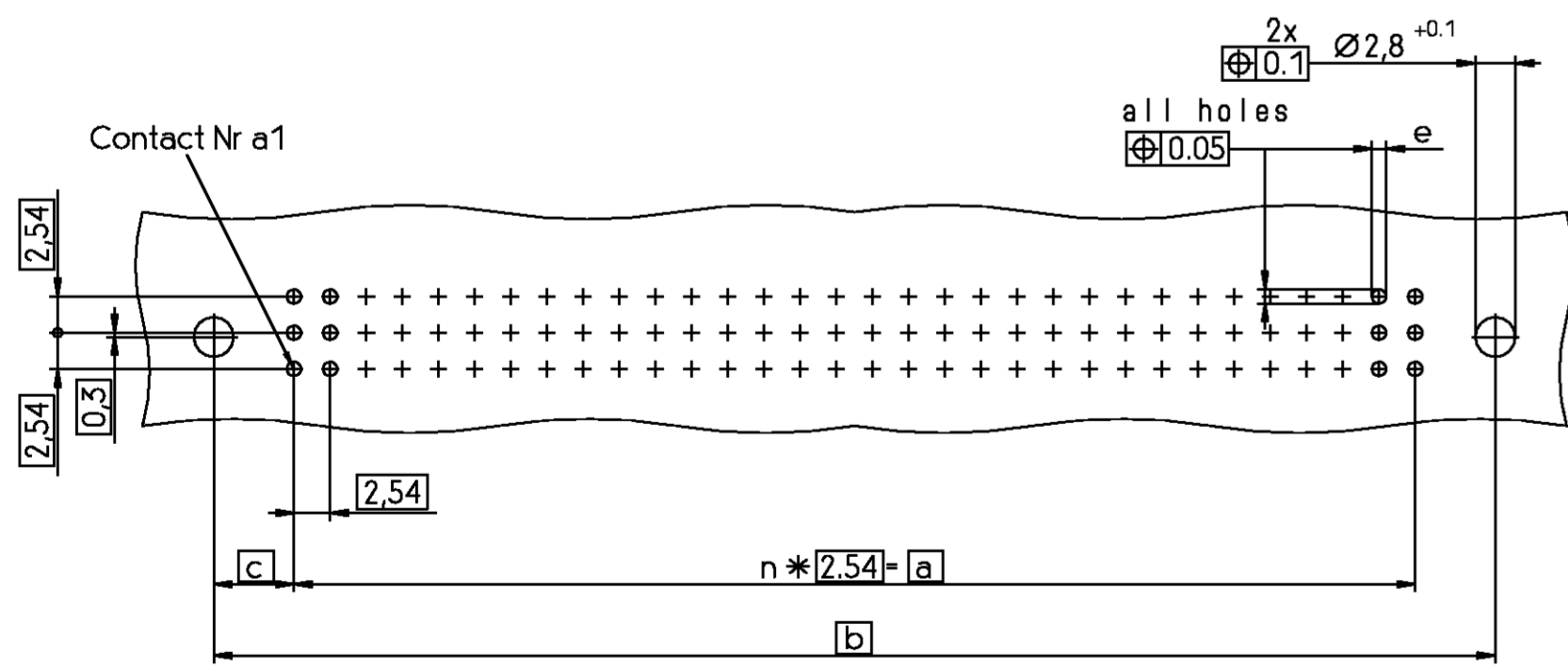


Housing material: PBTP 30% glassfilled (UL94V-0) pebble grey (similar RAL 7032)

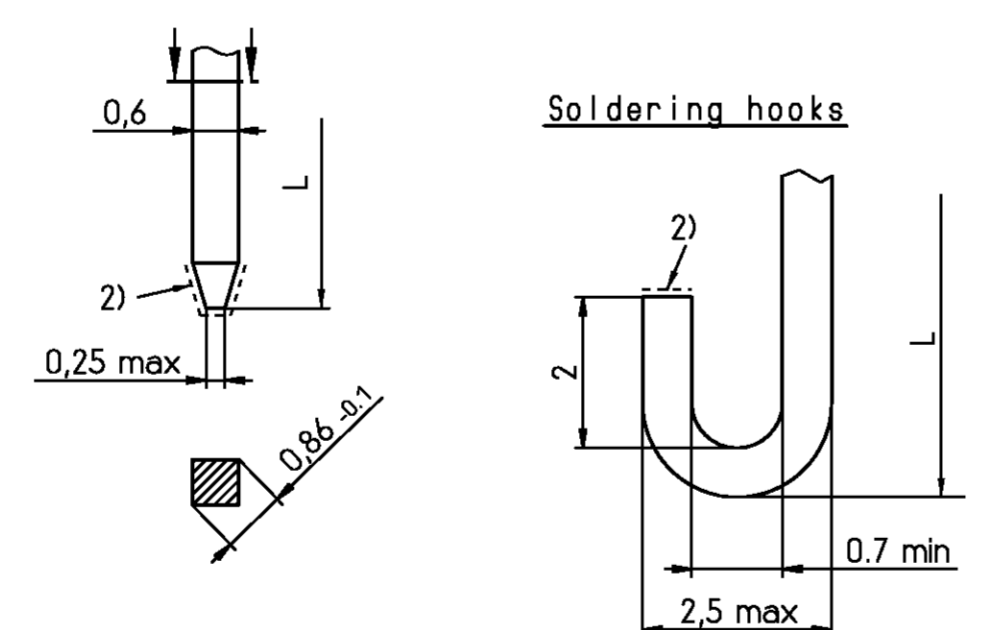
Mounting holes in PCB



| Type | n | a | b | c | e | Termination |
|------|-----|----|-------|-------|------|-------------------|
| Q | R | 31 | 78.74 | 88.9 | 5.63 | 1.0±0.1 solder |
| Q/2 | R/2 | 15 | 38.1 | 48.26 | 5.95 | 1.0±0.1 wire wrap |
| Q/3 | R/3 | 9 | 22.86 | 33.02 | 5.95 | |

Termination Styles

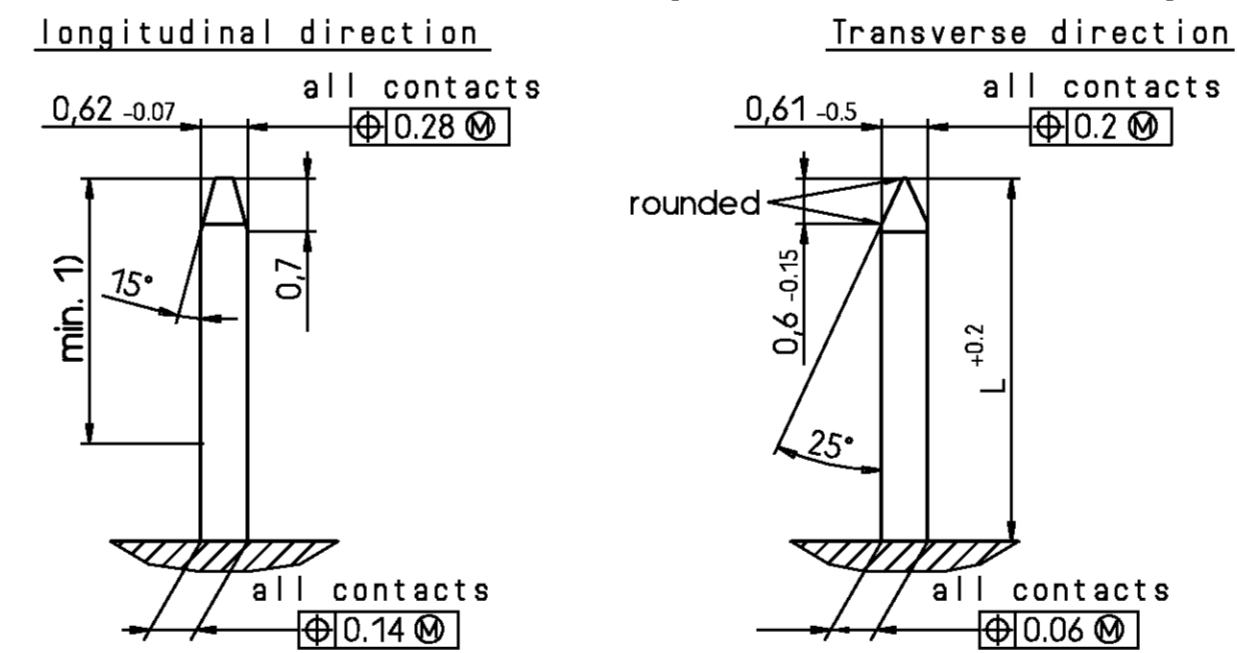
Soldering for PCB holes 1mm, Wire wrap pins and Pressfit pins (1)



- Pressfit according to IEC 352-5
 - Cutting edges not plated (Terminationstrip for adapter plugging fully plated)
- Terminations
- with galvanic Sn plating
 - for contacts with insertion-area for adapter-plugging: PdNi + Au or Au plated, see next box

| | L | Code |
|-----------------------------|----------|------|
| Soldering for PCB holes 1mm | 2.9 ±0.3 | 01 |
| | 4.5 ±0.3 | 02 |
| | 6.3 ±0.3 | 03 |
| Wire wrap pin | 13 ±0.5 | 40 |
| Soldering hooks | 5.5 ±0.3 | 30 |
| | 10 ±0.5 | |

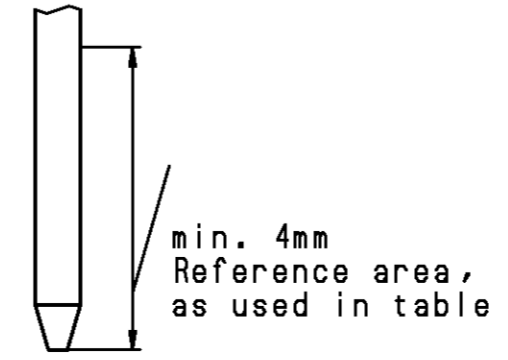
Contact : Dimensions, plating, material, pre-mating



| | L | A |
|---------------------|-----|-----|
| normal contacts | 4.8 | 3.5 |
| pre-mating contacts | 5.8 | 4.5 |

1) Reference area as used in table

Termination Contact for adapter-plugging



Performance Level

| Performance level | Noble metals | Code |
|-------------------|-----------------|------|
| Class I | PdNi + Au or Au | 1 |
| | Au | 4 |
| Class II | PdNi + Au or Au | 2 |
| Class III | PdNi + Au or Au | 3 |

Nickel underlayer, Protection film: HF-grease

| Performance level | Noble metals |
|-------------------|-----------------|
| Class II | PdNi + Au or Au |

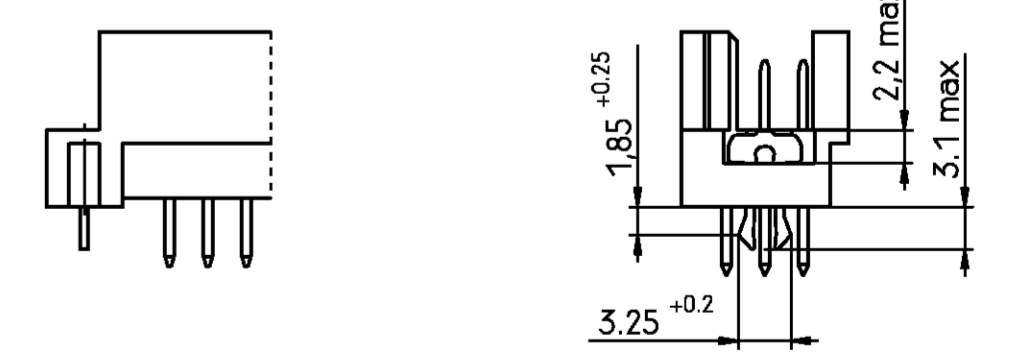
V42254-* 1 * * * - R * * *

B: Standard versions
F: Versions with flux-tight coating

Code for performance level
Code for termination style

Style, no of contacts and contact assignment see page 3

Male connector with board locks



F_m < 60 N
F_r > 20 N
F_r > 200 N, wenn soldered-in

F_m = Mounting force (for 1 connector = 2 Clips)
F_r = Retention force (for 1 connector = 2 Clips)

tyco Electronics

TYCO ELECTRONICS CORPORATION
OOSTKAMP - BELGIUM

SCALE: DIMENSIONS IN MM

PART NAME: Pin Assembly Eurocard
Types Q and R and short versions

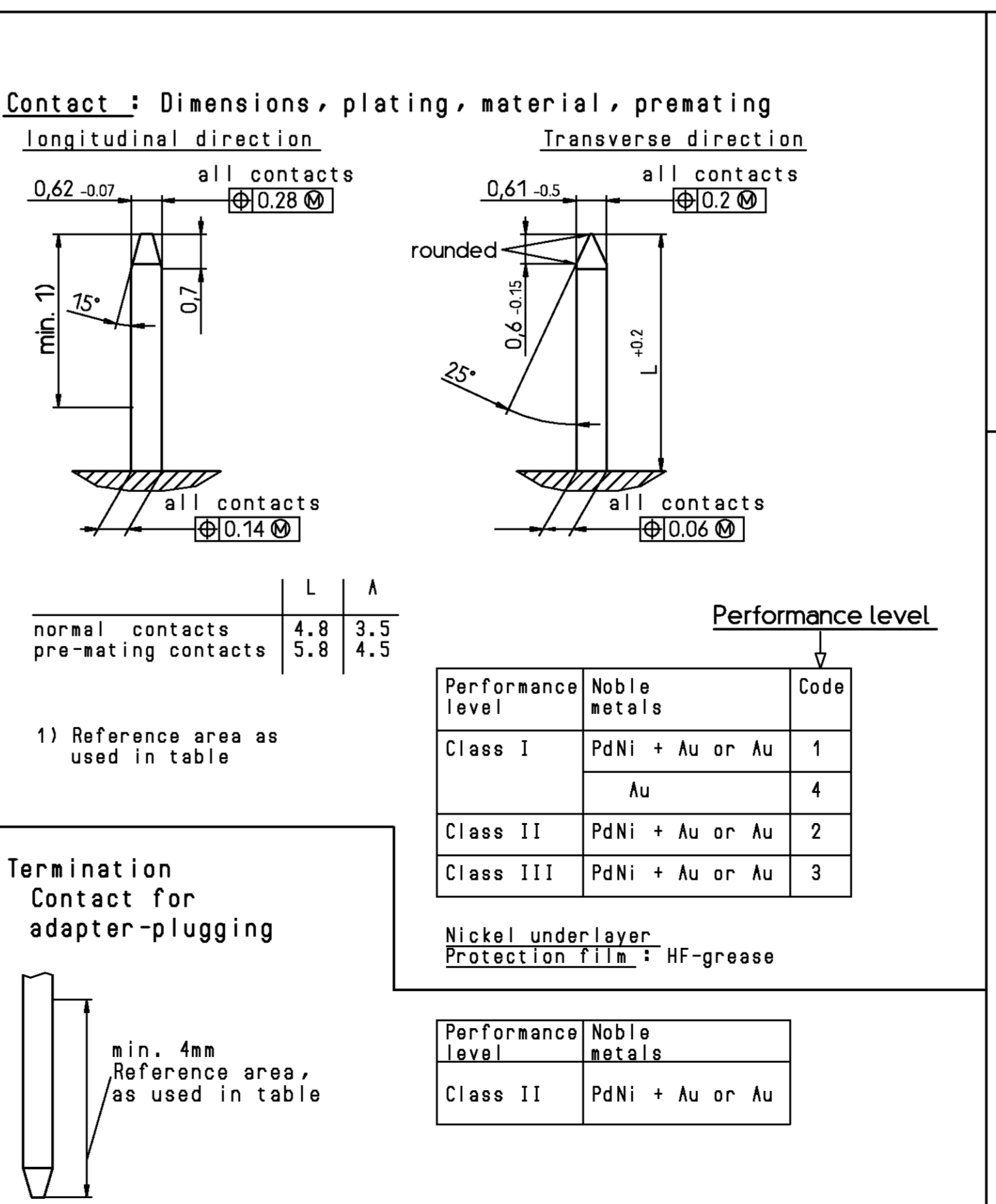
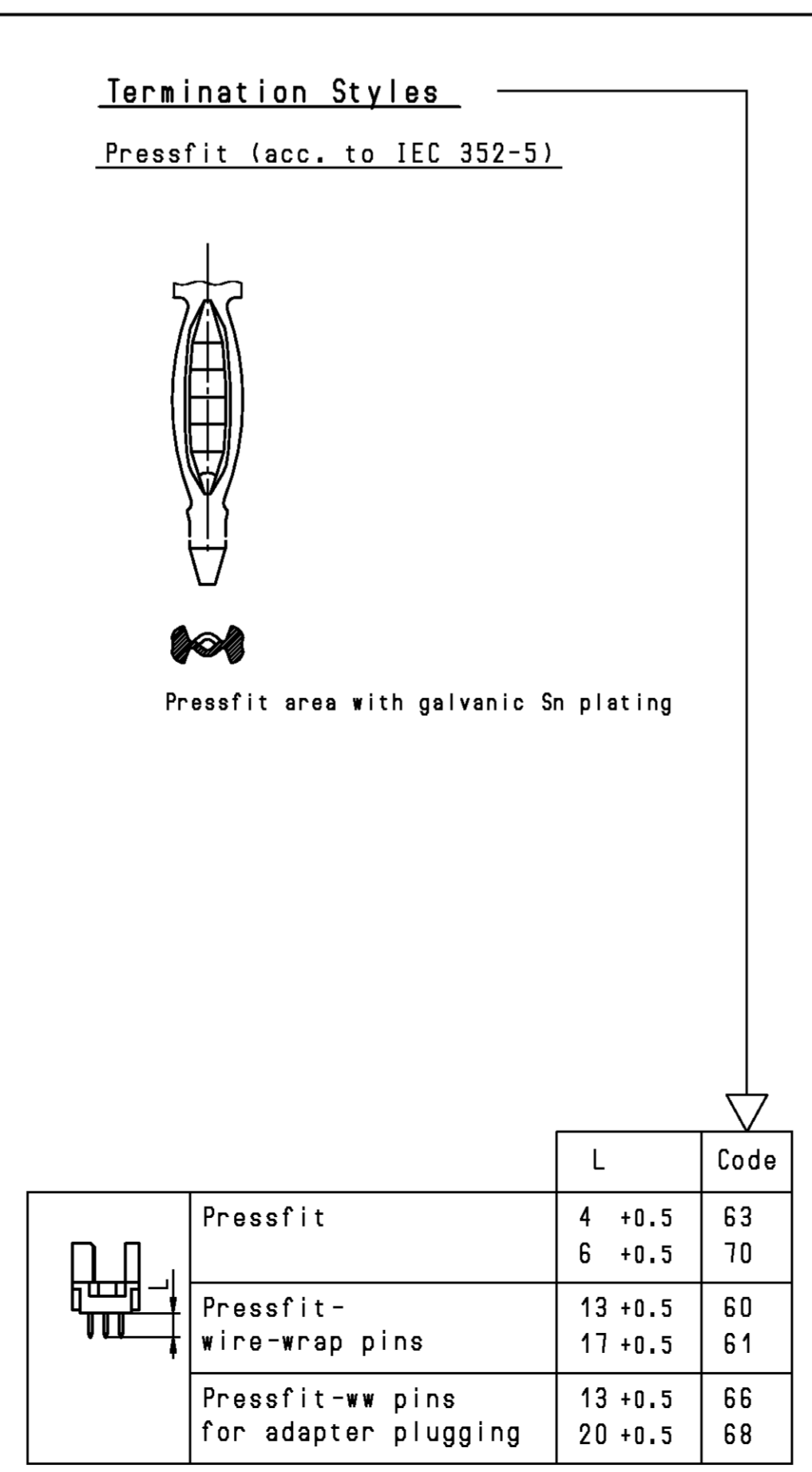
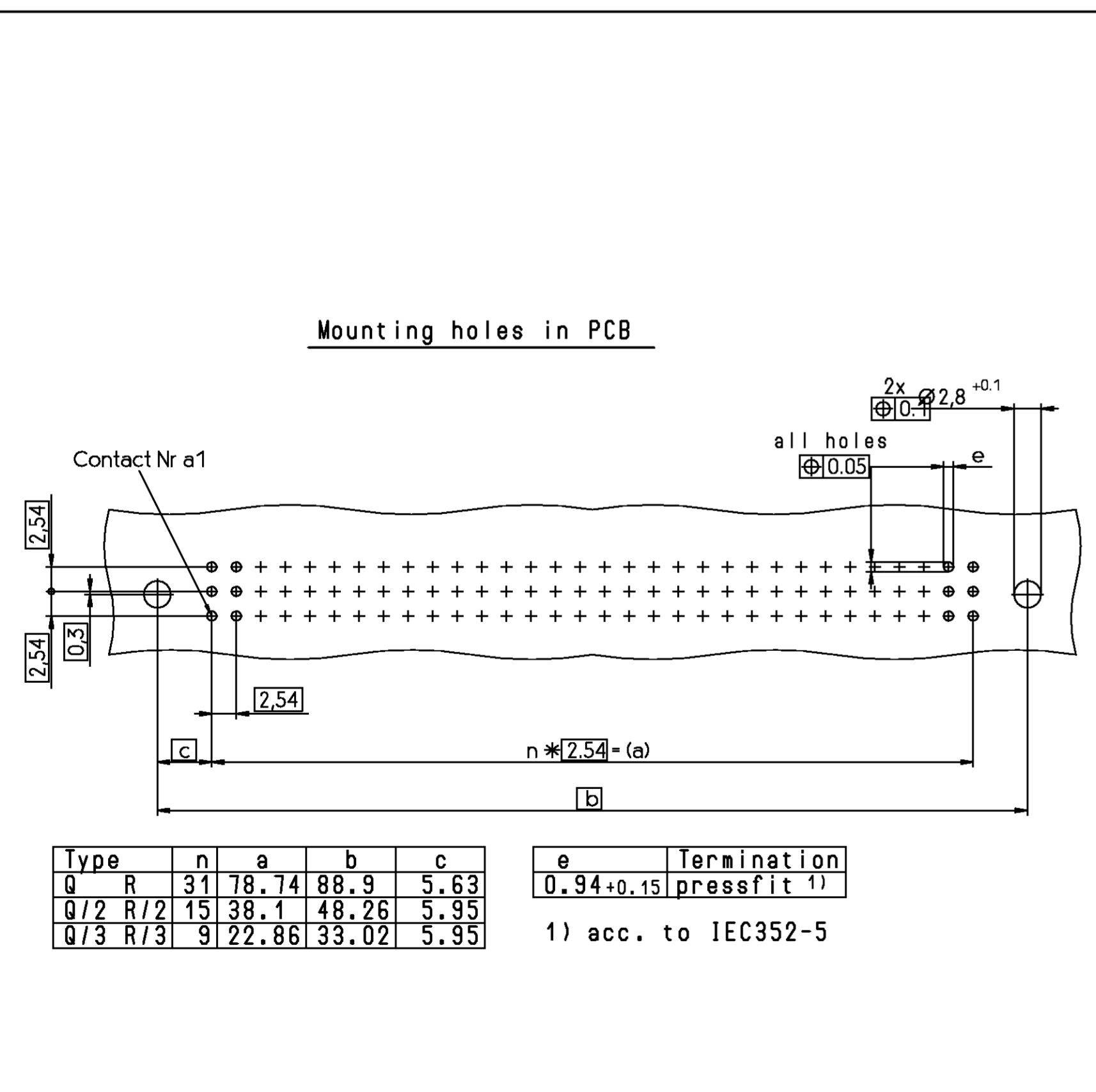
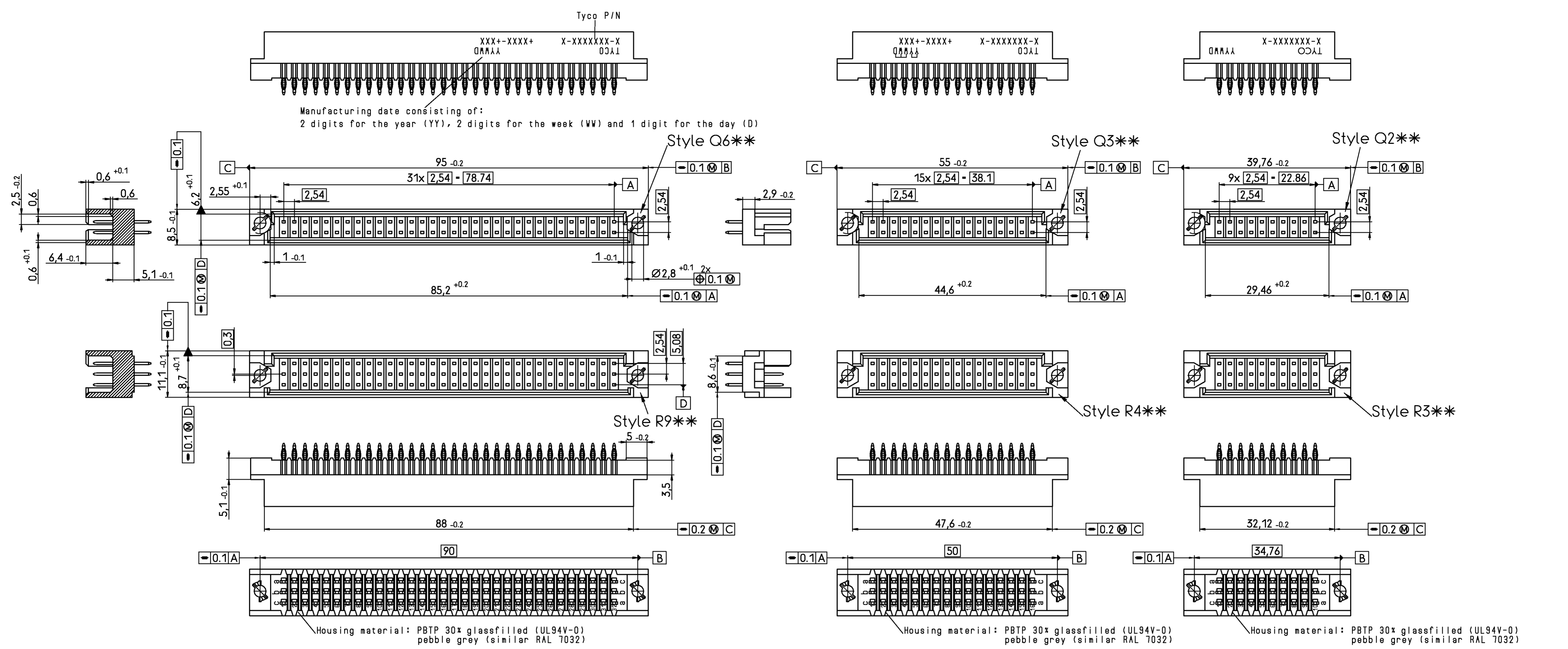
DATE: 21.02.89
NAME: Cuvelier
DEP.: PD.COM

REV. CHANGE ORDER DATE APP. Customer Drawing Nr. C.9-1393501-4

Part No. V42254-B1***-R***-7626

Customer Drawing Nr. C.9-1393501-4

THIS INFORMATION IS CONFIDENTIAL AND PROPRIETARY TO TYCO ELECTRONICS CORPORATION AND ITS WORLDWIDE SUBSIDIARIES AND AFFILIATES. IT MAY NOT BE DISCLOSED TO ANYONE, OTHER THAN TYCO ELECTRONICS CORPORATION, WITHOUT WRITTEN AUTHORIZATION FROM TYCO ELECTRONICS CORPORATION, HARRISBURG, PENNSYLVANIA USA.



V42254-B1***-R***

Code for performance level Code for termination style Style, no of contacts and contact assignment see page 3

| TYCO | TYCO ELECTRONICS CORPORATION | SCALE | WEIGHT |
|-------------|------------------------------|----------------------------------|---|
| Electronics | OOSTKAMP - BELGIUM | MATERIAL | |
| | | PART NAME | |
| | | Pin Assembly Eurocard | |
| | | Types Q and R and short versions | |
| | | PART NO. | |
| | | V42254-B1***-R***-7626 | |
| | | | SHT. 2+ |
| F4 | SEE SHEET 1 | | |
| REV. | CHANGE ORDER | DATE | APP. Customer Drawing Nr. C-9-1393501-4 |

THIS INFORMATION IS CONFIDENTIAL AND PROPRIETARY TO TYCO ELECTRONICS CORPORATION AND ITS WORLDWIDE SUBSIDIARIES AND AFFILIATES. IT MAY NOT BE DISCLOSED TO ANYONE, OTHER THAN TYCO ELECTRONICS CORPORATION, WITHOUT WRITTEN AUTHORIZATION FROM TYCO ELECTRONICS CORPORATION, HARRISBURG, PENNSYLVANIA USA.

| Product description Code | Tyco Part Number | Style & Number of Positions | Termination Posts | Loaded Rows | Standard Pre-Mating (mm) | Performance Level | Board Locks |
|--------------------------|------------------|-----------------------------|--|------------------------------|--------------------------|-------------------|-------------|
| V42254B1101Q210 | 1393659-2 | Q20 | 2,9mm straight solder leads | every row , every pitch | No | 1 | Yes |
| V42254B1101R480 | 1393659-3 | R48 | 2,9mm straight solder leads | every row , every pitch | No | 1 | No |
| V42254B1101R960 | 1393659-4 | R96 | 2,9mm straight solder leads | every row , every pitch | No | 1 | No |
| V42254B1101R963 | 1393659-5 | R96 | 2,9mm straight solder leads | row a+c , every pitch | No | 1 | No |
| V42254B1101R968 | 1393659-6 | R96 | 2,9mm straight solder leads | row a+c , every even pitch | No | 1 | No |
| V42254B1102Q200 | 1393659-7 | Q20 | 4,5mm straight solder leads | every row , every pitch | No | 1 | No |
| V42254B1102Q320 | 1393659-8 | Q32 | 4,5mm straight solder leads | every row , every pitch | No | 1 | No |
| V42254B1102R480 | 1393659-9 | R48 | 4,5mm straight solder leads | every row , every pitch | No | 1 | No |
| V42254B1102R960 | 1-1393659-0 | R96 | 4,5mm straight solder leads | every row , every pitch | No | 1 | No |
| V42254B1102R960H | 1-1393659-1 | R96 | 4,5mm straight solder leads | every row , every pitch | No | 1 | No |
| V42254B1103R960 | 1-1393659-2 | R96 | 6,3mm straight solder leads | every row , every pitch | No | 1 | No |
| V42254B1140Q640 | 1-1393659-5 | Q64 | 13mm straight wire-wrap pins | every row , every pitch | No | 1 | No |
| V42254B1140R480 | 1-1393659-6 | R48 | 13mm straight wire-wrap pins | every row , every pitch | No | 1 | No |
| V42254B1161R960 | 1393658-1 | R96 | 17mm Press-in terminals with wire-wrap | every row , every pitch | No | 1 | No |
| V42254B1201Q200 | 2-1393659-0 | Q20 | 2,9mm straight solder leads | every row , every pitch | No | 2 | No |
| V42254B1201Q320 | 2-1393659-1 | Q32 | 2,9mm straight solder leads | every row , every pitch | No | 2 | No |
| V42254B1201Q640 | 2-1393659-2 | Q64 | 2,9mm straight solder leads | every row , every pitch | No | 2 | No |
| V42254B1201R300 | 2-1393659-3 | R30 | 2,9mm straight solder leads | every row , every pitch | No | 2 | No |
| V42254B1201R303 | 2-1393659-4 | R30 | 2,9mm straight solder leads | row a+c , every pitch | No | 2 | No |
| V42254B1201R410 | 2-1393659-5 | R48 | 2,9mm straight solder leads | every row , every pitch | No | 2 | Yes |
| V42254B1201R480 | 2-1393659-6 | R48 | 2,9mm straight solder leads | every row , every pitch | No | 2 | No |
| V42254B1201R913 | 2-1393659-7 | R96 | 2,9mm straight solder leads | row a+c , every pitch | No | 2 | Yes |
| V42254B1201R960 | 2-1393659-8 | R96 | 2,9mm straight solder leads | every row , every pitch | No | 2 | No |
| V42254B1201R963 | 2-1393659-9 | R96 | 2,9mm straight solder leads | row a+c , every pitch | No | 2 | No |
| V42254B1201R968 | 3-1393659-0 | R96 | 2,9mm straight solder leads | row a+c , every even pitch | No | 2 | No |
| V42254B1202Q320 | 3-1393659-1 | Q32 | 4,5mm straight solder leads | every row , every pitch | No | 2 | No |
| V42254B1202Q320N | 3-1393659-2 | Q32 | 4,5mm straight solder leads | every row , every pitch | No | 2 | No |
| V42254B1202Q640 | 3-1393659-4 | Q64 | 4,5mm straight solder leads | every row , every pitch | No | 2 | No |
| V42254B1202R300 | 3-1393659-5 | R30 | 4,5mm straight solder leads | every row , every pitch | No | 2 | No |
| V42254B1202R303 | 3-1393659-6 | R30 | 4,5mm straight solder leads | row a+c , every pitch | No | 2 | No |
| V42254B1202R410 | 3-1393659-7 | R48 | 4,5mm straight solder leads | every row , every pitch | No | 2 | Yes |
| V42254B1202R480 | 3-1393659-9 | R48 | 4,5mm straight solder leads | every row , every pitch | No | 2 | No |
| V42254B1202R483 | 4-1393659-0 | R48 | 4,5mm straight solder leads | row a+c , every pitch | No | 2 | No |
| V42254B1202R910 | 4-1393659-1 | R96 | 4,5mm straight solder leads | every row , every pitch | No | 2 | Yes |
| V42254B1202R913 | 4-1393659-2 | R96 | 4,5mm straight solder leads | row a+c , every pitch | No | 2 | Yes |
| V42254B1202R930 | 4-1393659-3 | R96 | 4,5mm straight solder leads | every row , every pitch | Yes | 2 | No |
| V42254B1202R933 | 4-1393659-4 | R96 | 4,5mm straight solder leads | row a+c , every pitch | Yes | 2 | No |
| V42254B1202R960 | 4-1393659-5 | R96 | 4,5mm straight solder leads | every row , every pitch | No | 2 | No |
| V42254B1202R960N | 4-1393659-6 | R96 | 4,5mm straight solder leads | every row , every pitch | No | 2 | No |
| V42254B1202R963 | 4-1393659-7 | R96 | 4,5mm straight solder leads | row a+c , every pitch | No | 2 | No |
| V42254B1202R965 | 4-1393659-8 | R96 | 4,5mm straight solder leads | every row , every even pitch | No | 2 | No |
| V42254B1202R968 | 4-1393659-9 | R96 | 4,5mm straight solder leads | row a+c , every even pitch | No | 2 | No |
| V42254B1203R963 | 5-1393659-0 | R96 | 6,3mm straight solder leads | row a+c , every pitch | No | 2 | No |
| V42254B1230R303 | 5-1393659-1 | R30 | 5,5/10mm solder hooks | row a+c , every pitch | No | 2 | No |
| V42254B1230R960 | 5-1393659-3 | R96 | 5,5/10mm solder hooks | every row , every pitch | No | 2 | No |
| V42254B1230R963 | 5-1393659-4 | R96 | 5,5/10mm solder hooks | row a+c , every pitch | No | 2 | No |
| V42254B1240Q640 | 5-1393659-6 | Q64 | 13mm straight wire-wrap pins | every row , every pitch | No | 2 | No |
| V42254B1240R300 | 5-1393659-7 | R30 | 13mm straight wire-wrap pins | every row , every pitch | No | 2 | No |
| V42254B1240R960 | 5-1393659-8 | R96 | 13mm straight wire-wrap pins | every row , every pitch | No | 2 | No |
| V42254B1240R963 | 5-1393659-9 | R96 | 13mm straight wire-wrap pins | row a+c , every pitch | No | 2 | No |
| V42254B1260R483 | 1393658-2 | R48 | 13mm Press-in terminals with wire-wrap | row a+c , every pitch | No | 2 | No |
| V42254B1260R960 | 1393658-3 | R96 | 13mm Press-in terminals with wire-wrap | every row , every pitch | No | 2 | No |
| V42254B1260R963 | 1393658-5 | R96 | 13mm Press-in terminals with wire-wrap | row a+c , every pitch | No | 2 | No |
| V42254B1261R480 | 1393658-7 | R48 | 17mm Press-in terminals with wire-wrap | every row , every pitch | No | 2 | No |
| V42254B1263Q320 | 9-1393501-4 | Q32 | 3,7mm Press-in terminals | every row , every pitch | No | 2 | No |
| V42254B1263Q640 | 1393658-9 | Q64 | 3,7mm Press-in terminals | every row , every pitch | No | 2 | No |
| V42254B1263R300 | 1-1393658-0 | R30 | 3,7mm Press-in terminals | every row , every pitch | No | 2 | No |
| V42254B1263R300*40 | 1-1393658-1 | R30 | 3,7mm Press-in terminals | every row , every pitch | No | 2 | No |
| V42254B1263R330 | 9-1393501-5 | R30 | 3,7mm Press-in terminals | every row , every pitch | Yes | 2 | No |
| V42254B1263R480 | 1-1393658-2 | R48 | 3,7mm Press-in terminals | every row , every pitch | No | 2 | No |
| V42254B1263R483 | 1-1393658-3 | R48 | 3,7mm Press-in terminals | row a+c , every pitch | No | 2 | No |
| V42254B1263R960 | 1-1393658-4 | R96 | 3,7mm Press-in terminals | every row , every pitch | No | 2 | No |
| V42254B1263R963 | 1-1393658-5 | R96 | 3,7mm Press-in terminals | row a+c , every pitch | No | 2 | No |
| V42254B1266R300 | 1-1393658-6 | R30 | 13mm Press-in terminals with wire-wrap an adapter insertion area | every row , every pitch | No | 2 | No |
| V42254B1266R483 | 1-1393658-7 | R48 | 13mm Press-in terminals with wire-wrap an adapter insertion area | row a+c , every pitch | No | 2 | No |
| V42254B1266R960 | 1-1393658-8 | R96 | 13mm Press-in terminals with wire-wrap an adapter insertion area | every row , every pitch | No | 2 | No |
| V42254B1266R963 | 1-1393658-9 | R96 | 13mm Press-in terminals with wire-wrap an adapter insertion area | row a+c , every pitch | No | 2 | No |
| V42254B1270R300 | 3-1392009-6 | R30 | 6,0mm Press-in terminals for PCB-thickness >=2,2mm | every row , every pitch | No | 2 | No |
| V42254B1270R960 | 2-1393658-1 | R96 | 6,0mm Press-in terminals for PCB-thickness >=2,2mm | every row , every pitch | No | 2 | No |
| V42254B1270R963 | 2-1393658-2 | R96 | 6,0mm Press-in terminals for PCB-thickness >=2,2mm | row a+c , every pitch | No | 2 | No |
| V42254B1270R968 | 2-1393658-3 | R96 | 6,0mm Press-in terminals for PCB-thickness >=2,2mm | row a+c , every even pitch | No | 2 | No |
| V42254B1468R960 | 3-1393658-8 | R96 | 20mm Press-in terminals with wire-wrap an adapter insertion area | every row , every pitch | No | 1 | No |
| V42254F1101R480 | 7-1393659-4 | R48 | 2,9mm straight solder leads | every row , every pitch | No | 1 | No |
| V42254F1201R410 | 7-1393659-5 | R48 | 2,9mm straight solder leads | every row , every pitch | No | 2 | Yes |

4) According to BT 222 level 1.
3) Connectors with flux-tight coating.
2) No company name marked on the connector.
1) First and last contact of each loaded row is a pre-mating (make first / break last) contact.

Active Part Numbers.
Contact Tyco Electronics for other configuration availability.

| | | | | | |
|--|--|--------------------------------------|--|--------------------------------|--|
| tyco TYCO ELECTRONICS CORPORATION | | SCALE | | WEIGHT | |
| OOSTKAMP - BELGIUM | | DIMENSIONS IN MM | | MATERIAL | |
| DATE 21.02.89 | | PART NAME | | Pin Assembly Eurocard | |
| NAME Cuweller | | PART NO. | | Types Q, R and short versions. | |
| DEP. PE Com | | TOLERANCE UNLESS SPECIFIED OTHERWISE | | REV. F4 SEE SHEET 1 | |
| Customer Drawing Nr. C 9-1393501-4 | | SHT. 5- | | OF 3 | |

THIS INFORMATION IS CONFIDENTIAL AND PROPRIETARY TO TYCO ELECTRONICS CORPORATION AND ITS WORLDWIDE SUBSIDIARIES AND AFFILIATES. IT MAY NOT BE DISCLOSED TO ANYONE, OTHER THAN TYCO ELECTRONICS CORPORATION, WITHOUT WRITTEN AUTHORIZATION FROM TYCO ELECTRONICS CORPORATION, HARRISBURG, PENNSYLVANIA USA.