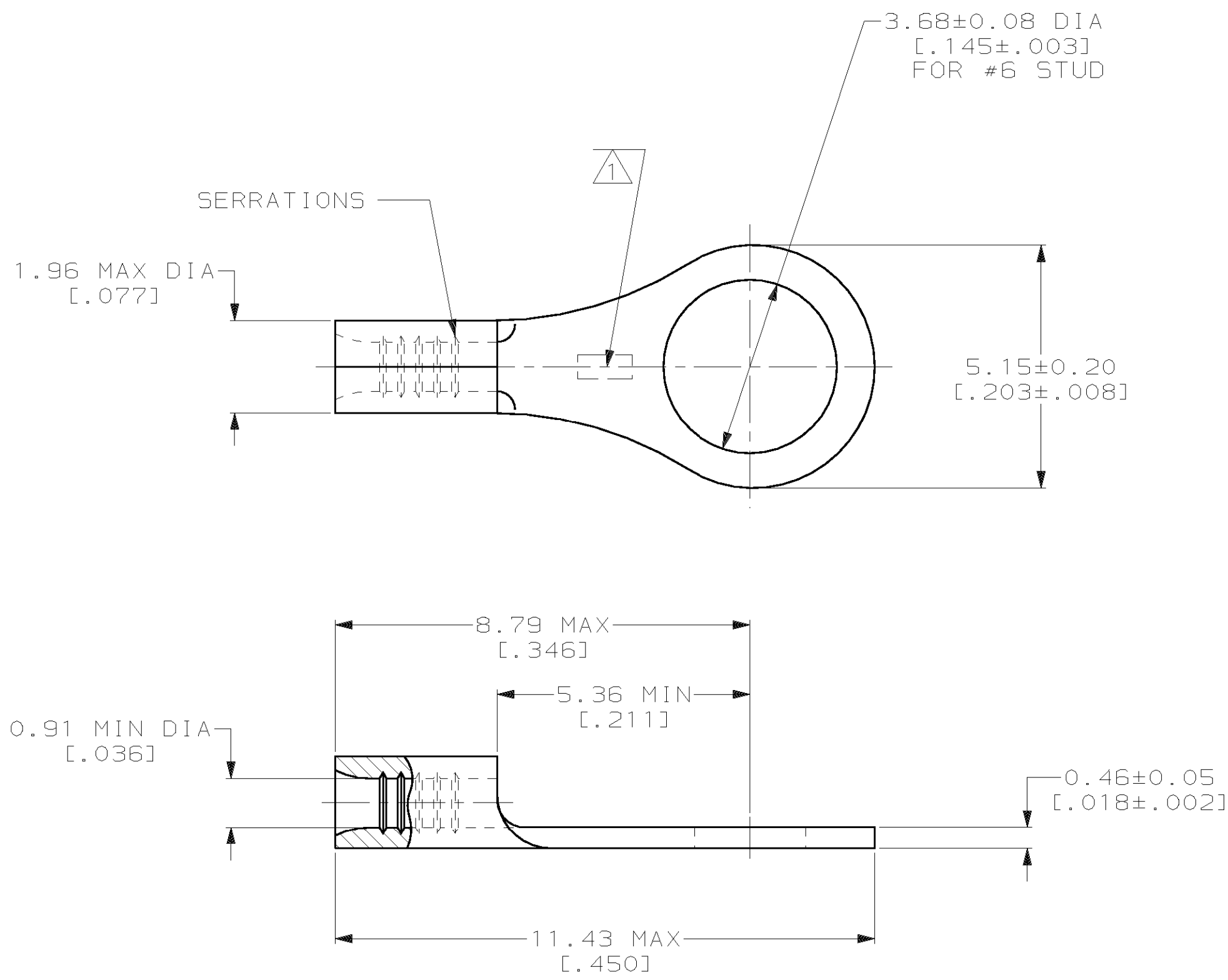


THIS DRAWING IS UNPUBLISHED. RELEASED FOR PUBLICATION, 19 .  
 © COPYRIGHT 19 BY AMP INCORPORATED. ALL INTERNATIONAL RIGHTS RESERVED.

LOC	DIST	P	F	ZONE	LTR	REVISIONS	DATE	APPD
G	14					0 RELEASED PER 0720-0008-93	2-2-93	TRB DAP

<b>AMP</b> WIRE RANGE	<b>UL</b> E13288 Listed
26-22 AWG STRANDED	NOT LISTED
<b>SP</b> LR7189 Certified	MILITARY P/N AND CLASS
NOT CERTIFIED	NOT APPLICABLE

△ STAMP AMP APPROX AS SHOWN



31430

31430  
PART NO

**AMP INCORPORATED**  
CUSTOMER SERVICE SYSTEMS

MAX RECOMMENDED OPERATING TEMPERATURE:  
170°C MAX

DO NOT SCALE PRINT.  
UNLESS SPECIFIED  
DIMENSIONS IN mm [INCHES]  
TOLERANCES ON:  
2 PLC DEC ± -  
3 PLC DEC ± -  
ANGLES ± -

DR 2-2-93  
TA BRINKMAN  
CHK 2-2-93  
DA PATTERSON  
APPD 2-2-93  
DE MILLER  
APPD 2-2-93  
JL MECKLEY

**AMP** AMP Incorporated  
Harrisburg, PA 17105-3608

FOR ADDITIONAL  
PRODUCT INFORMATION OR  
COPIES OF DRAWINGS  
AND TECHNICAL DOCUMENTS

PRODUCT INFORMATION CENTER  
1-800-522-6752

VOLTAGE RATING:  
NOT APPLICABLE

MATERIAL  
COPPER PER  
ASTM B-152  
ANNEALED

PRODUCT SPEC  
-

NAME  
TERMINAL, RING  
TONGUE, BUDGET

FOR APPLICATION  
TOOLING INFORMATION

TOOLING ASSISTANCE CENTER  
1-800-722-1111

WIRE CROSS SECTIONAL AREA RANGE:  
0.1-0.41mm<sup>2</sup> [202-810] CIR MILS  
STRANDED

FINISH  
TIN PLATE  
0.00254 [0.000100] MIN  
THK PER ASTM B545

APPLICATION SPEC  
-

SIZE  
C 00779  
DRAWING NO  
C-31430

FOR ORDER ENTRY

1-800-526-5142

THIS DRAWING IS A CONTROLLED DOCUMENT FOR  
AMP INCORPORATED. IT IS SUBJECT TO CHANGE  
AND THE CONTROLLING ENGINEERING ORGANIZATION  
SHOULD BE CONTACTED FOR THE LATEST REVISION.

WEIGHT  
-

SCALE 10:1

SHEET 1 OF 1