

THIS DRAWING IS UNPUBLISHED. RELEASED FOR PUBLICATION
 © COPYRIGHT BY TYCO ELECTRONICS CORPORATION. ALL RIGHTS RESERVED.

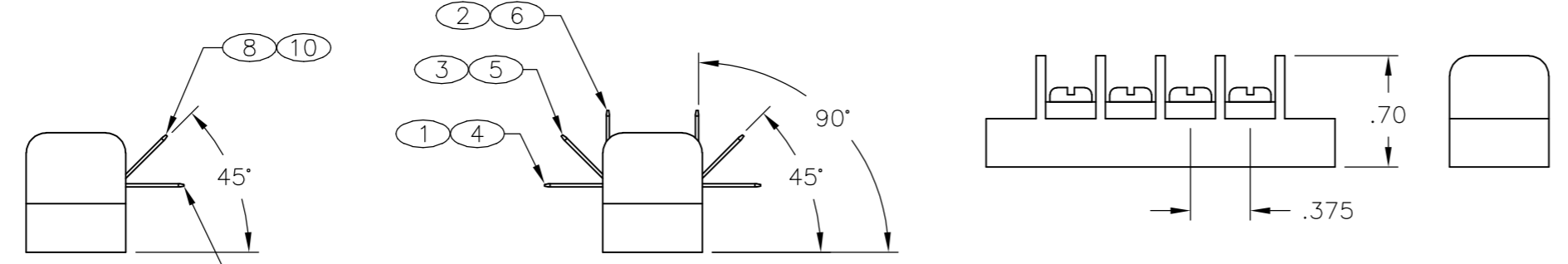
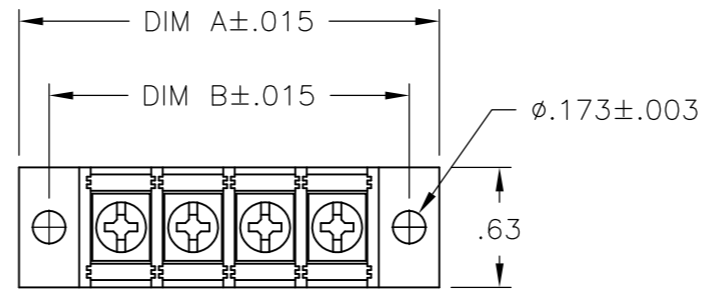
| LOC | | DIST | | REVISIONS | | | |
|-----|-----|---------------------------|---------|-----------|------|--|--|
| P | LTR | DESCRIPTION | DATE | DWN | APVD | | |
| | C | REVISED PER ECO-10-013617 | 26JUL10 | HMR | CR | | |

NOTES:
 MATERIAL:
 HOUSING: THERMOPLASTIC, UL94V-0, BLACK.
 TERMINALS: TIN PLATED COPPER ALLOY.
 QC TABS: TIN PLATED COPPER ALLOY.
 SCREWS: 6-32, ZINC PLATED STEEL.

ELECTRICAL:
 UL/CSA
 CLASS C: 20A, 300V.
 CLASS D: 5A, 600V.
 WIRE RANGE: 12-22 AWG

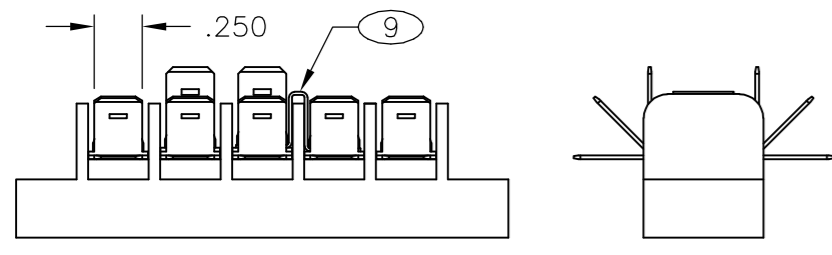
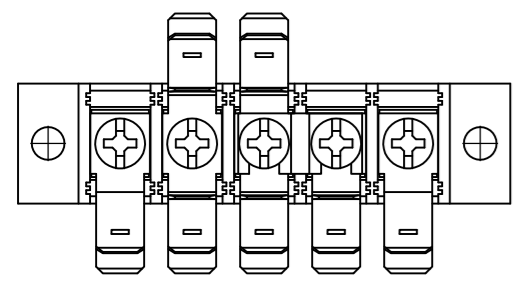
MECHANICAL:
 RECOMMENDED TORQUE: 7 IN.-LB.
 OPERATING TEMP.: 105°C MAX

- 1 SCREWS ARE BOTTOMED.
- 2 SCREWS ARE STAINLESS STEEL.
- 3 PRELIMINARY PART NUMBER.
- 4 OBSOLETE PARTS: OBSOLETE CIS STREAMLINING PER D.RENAUD/D.SINISI

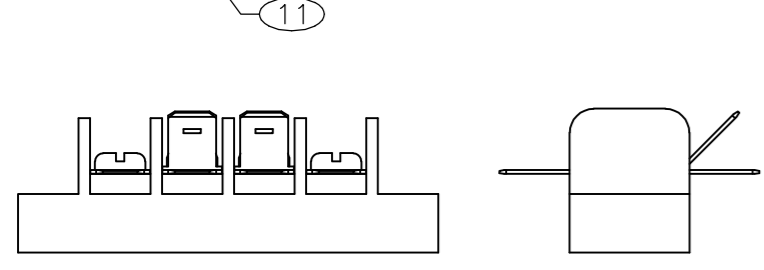
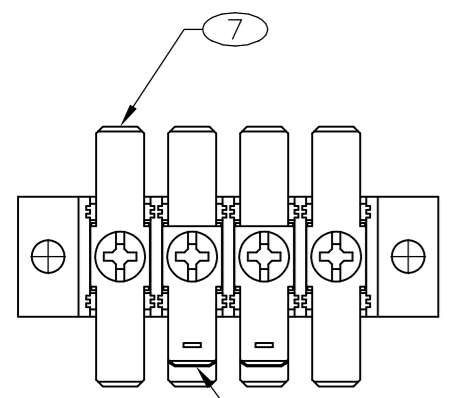


SELECT LOAD CHART

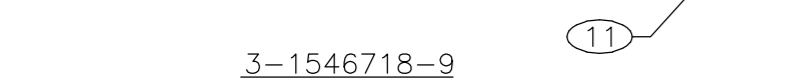
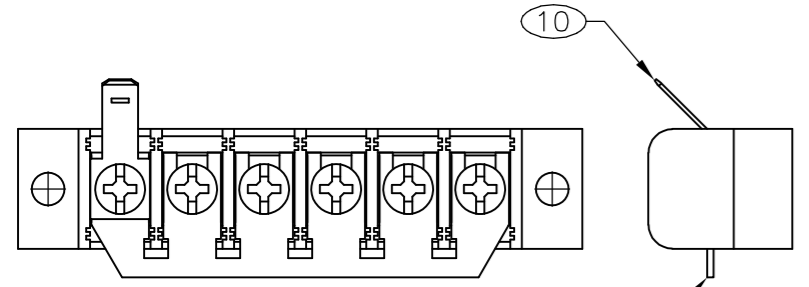
| 1 | 2 | 3 | 4 | 5 | 6 | 7 | 8 | 9 | 10 | NO OF POS | CATALOG NUMBER | TYCO PART NO. |
|----|-----|-------|-------|-----|-----|-----|------------------|-----|-----|-----------|-----------------|---------------|
| - | - | - | - | - | - | - | - | - | - | 6 | JC6-C707-05-567 | 3-1546718-9 |
| - | 3,4 | 1,4,5 | 1,4,5 | 2,3 | 2,3 | 2,3 | 2,3 | 2,3 | 2,3 | 5 | JC6-C707-05-216 | 3-1546718-5 |
| - | - | 2,3 | - | - | - | - | - | 1-4 | - | 4 | JC6-C707-04-235 | 3-1546718-6 |
| 10 | 9 | 8 | 7 | 6 | 5 | 4 | POSITIONS LOADED | | | | | |



3-1546718-5



3-1546718-6



3-1546718-9

| OBSOLETE | DIM A | DIM B | JUMPER 6 POS | .187 QC TAB 45° SINGLE SIDED | JUMPER OVER BARRIER SPADE | .250 QC TAB 45° SINGLE SIDED | .250 QC TAB STRAIGHT SINGLE SIDED | .250 QC TAB 90° DBL SIDED | .250 QC TAB 45° DOUBLE SIDED | .250 QC TAB STRAIGHT DOUBLE SIDED | .187 QC TAB 45° DOUBLE SIDED | .187 QC TAB 90° DOUBLE SIDED | .187 QC TAB STRAIGHT DOUBLE SIDED | NO OF POS | CATALOG NUMBER | TE PART NO. |
|----------------|-------|-------|--------------|------------------------------|---------------------------|------------------------------|-----------------------------------|---------------------------|------------------------------|-----------------------------------|------------------------------|------------------------------|-----------------------------------|-----------|-----------------|-------------|
| 4 | 9.320 | 9.000 | - | - | - | - | - | - | - | - | - | - | - | 23 | JC6-C707-23 | 2-1546718-3 |
| | 8.945 | 8.625 | - | - | - | - | - | - | - | - | - | - | - | 22 | JC6-C707-22 | 2-1546718-2 |
| | 8.570 | 8.250 | - | - | - | - | - | - | - | - | - | - | - | 21 | JC6-C707-21 | 2-1546718-1 |
| 2 | 8.195 | 7.875 | - | - | - | - | - | - | - | - | - | - | - | 20 | JC6-C707-20-215 | 3-1546718-4 |
| | 8.195 | 7.875 | - | - | - | - | - | - | - | - | - | - | - | 20 | JC6-C707-20 | 2-1546718-0 |
| | 7.820 | 7.500 | - | - | - | - | - | - | - | - | - | - | - | 19 | JC6-C707-19 | 1-1546718-9 |
| | 7.445 | 7.125 | - | - | - | - | - | - | - | - | - | - | - | 18 | JC6-C707-18 | 1-1546718-8 |
| | 7.070 | 6.750 | - | - | - | - | - | - | - | - | - | - | - | 17 | JC6-C707-17 | 1-1546718-7 |
| | 6.695 | 6.375 | - | - | - | - | - | - | - | - | - | - | - | 16 | JC6-C707-16 | 1-1546718-6 |
| | 6.320 | 6.000 | - | - | - | - | - | - | - | - | - | - | - | 15 | JC6-C707-15 | 1-1546718-5 |
| | 5.945 | 5.625 | - | - | - | - | - | - | - | - | - | - | - | 14 | JC6-C707-14 | 1-1546718-4 |
| | 5.570 | 5.250 | - | - | - | - | - | - | - | - | - | - | - | 13 | JC6-C707-13 | 1-1546718-3 |
| | 5.195 | 4.875 | - | - | - | - | - | - | - | - | - | - | - | 12 | JC6-C707-12 | 1-1546718-2 |
| 3,1 | 4.820 | 4.500 | - | - | - | - | - | - | - | 11 | - | - | - | 11 | JC6-C707-11-214 | 3-1546718-3 |
| 4 | 4.820 | 4.500 | - | - | - | - | - | - | - | - | - | - | - | 11 | JC6-C707-11 | 1-1546718-1 |
| | 4.445 | 4.125 | - | - | - | - | - | 10 | - | - | - | - | - | 10 | JC6-C707-10-213 | 3-1546718-2 |
| | 4.445 | 4.125 | - | - | - | - | - | - | - | - | - | - | - | 10 | JC6-C707-10 | 1-1546718-0 |
| | 4.070 | 3.750 | - | - | - | - | - | - | - | - | - | - | - | 9 | JC6-C707-09 | 1-1546718-9 |
| | 3.695 | 3.375 | - | - | - | - | - | - | - | - | - | - | - | 8 | JC6-C707-08 | 1-1546718-8 |
| | 3.320 | 3.000 | - | - | - | - | - | - | - | - | - | - | - | 7 | JC6-C707-07 | 1-1546718-7 |
| SEE FIGURE 3,1 | 2.945 | 2.625 | 1 | 1 | - | - | - | - | - | - | - | - | - | 6 | JC6-C707-06-567 | 3-1546718-9 |
| 4 | 2.945 | 2.625 | - | - | - | - | - | - | - | - | - | - | - | 6 | JC6-C707-06 | 1-1546718-6 |
| SEE FIGURE 3 | 2.570 | 2.250 | - | - | 1 | 3 | 3 | 2 | 2 | 2 | - | - | - | 5 | JC6-C707-05-216 | 3-1546718-5 |
| | 2.570 | 2.250 | - | - | - | - | - | - | - | - | 5 | 5 | - | 5 | JC6-C707-05-212 | 3-1546718-1 |
| 4 | 2.570 | 2.250 | - | - | - | - | - | - | - | - | - | - | - | 5 | JC6-C707-05 | 1-1546718-5 |
| | 2.195 | 1.875 | - | 4 | - | - | - | - | - | - | - | - | - | 4 | JC6-C707-04-255 | 3-1546718-8 |
| 1,3 | 2.195 | 1.875 | - | - | - | 2 | - | - | - | 4 | - | - | - | 4 | JC6-C707-04-235 | 3-1546718-6 |
| | 2.195 | 1.875 | - | - | - | - | - | - | - | - | - | - | - | 4 | JC6-C707-04-207 | 2-1546718-6 |
| 4 | 2.195 | 1.875 | - | - | - | - | - | - | - | - | - | - | - | 4 | JC6-C707-04 | 1-1546718-4 |
| | 1.820 | 1.500 | - | - | - | - | - | - | 3 | 3 | - | - | - | 3 | JC6-C707-03-211 | 3-1546718-0 |
| | 1.820 | 1.500 | - | - | - | - | - | - | 3 | - | - | - | - | 3 | JC6-C707-03-210 | 2-1546718-9 |
| | 1.820 | 1.500 | - | - | - | - | - | - | - | 3 | - | - | - | 3 | JC6-C707-03-209 | 2-1546718-8 |
| 4 | 1.820 | 1.500 | - | - | - | - | - | - | - | - | - | - | - | 3 | JC6-C707-03 | 1-1546718-3 |
| | 1.445 | 1.125 | - | - | - | - | - | - | - | - | 2 | - | - | 2 | JC6-C707-02-247 | 3-1546718-7 |
| | 1.445 | 1.125 | - | - | - | - | - | - | 2 | 2 | - | - | - | 2 | JC6-C707-02-208 | 2-1546718-7 |
| | 1.445 | 1.125 | - | - | - | - | - | - | - | - | - | 2 | 2 | 2 | JC6-C707-02-180 | 2-1546718-5 |
| | 1.445 | 1.125 | - | - | - | - | - | - | - | - | - | 2 | 2 | 2 | JC6-C707-02-179 | 2-1546718-4 |
| | 1.445 | 1.125 | - | - | - | - | - | - | - | - | - | - | - | 2 | JC6-C707-02 | 1-1546718-2 |

THIS DRAWING IS A CONTROLLED DOCUMENT.

DIMENSIONS: INCHES

TOLERANCES UNLESS OTHERWISE SPECIFIED:

| | | |
|--------|---|------|
| 0 PLC | ± | - |
| 1 PLC | ± | - |
| 2 PLC | ± | .02 |
| 3 PLC | ± | .010 |
| 4 PLC | ± | - |
| ANGLES | ± | - |
| FINISH | ± | - |

MATERIAL: -

APPROVALS:

| | | |
|------|-------------|---------|
| DWN | S. SCHLEGEL | 12/7/04 |
| CHK | S. YODER | 12/7/04 |
| APVD | S. YODER | 12/7/04 |

PRODUCT SPEC: -

APPLICATION SPEC: -

WEIGHT: -

CUSTOMER DRAWING

Tyco Electronics Corporation
Harrisburg, PA 17105-3608

JC6-C707-XX ASSEMBLY

SIZE: A2 CAGE CODE: 00779 DRAWING NO: 1546718 RESTRICTED TO: -

SCALE: NTS SHEET: 1 of 1 REV: C

Mouser Electronics

Authorized Distributor

Click to View Pricing, Inventory, Delivery & Lifecycle Information:

[TE Connectivity:](#)

[3-1546718-7](#)