

Wire to Board Connectors

2.5mm Signal Double Lock Connectors (2.5 SDL)

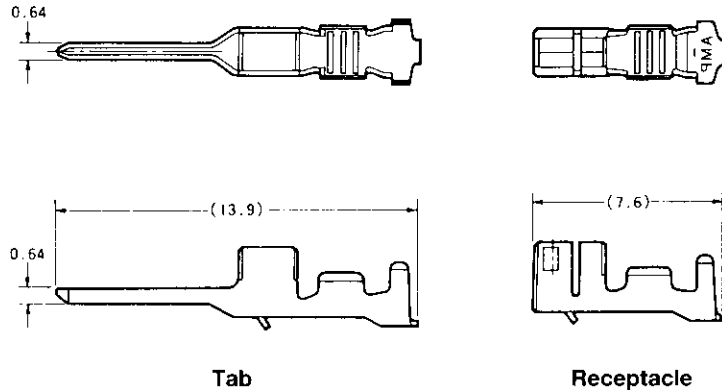
Contacts

Material and Finish :

Pre-tinned phosphor bronze
(0.2mm thick)

Receptacle = for Plug Housing

Tab = for Cap Housing



Wire Range		Wire Ins. Dia	Contact Part Number				Applicator Part Number
AWG	mm ²		Tab		Receptacle		
			Strip Form	Loose Piece	Strip Form	Loose Piece	
26-22	0.12~0.35	0.93~1.50	917765-1	316399-1	917684-1	316401-1	1385000
22-20	0.30~0.53	1.40~1.80	917764-1	316398-1	917683-1	316400-1	937474-1

Hand Tool Part No. : for AWG # 26-22 = 234604-1 (411-5736)

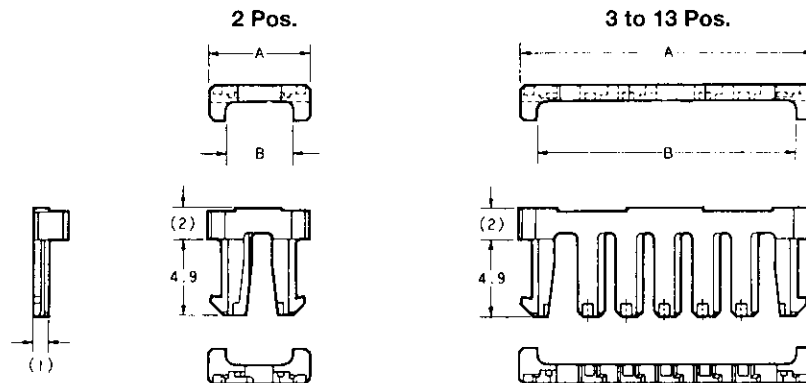
AWG # 22-20 = 234603-1 (411-5735)

Extraction Tool Part No. : 234605-1 (411-5737)

Double Lock Plate

Material :

UL94V-0 rated, 66 Nylon,
glass-filled, natural color



No. of Pos.	Dimensions of Double Lock Plate		Double Lock Plate Part Number	Applicable Housing Part Number	
	A	B		Plug	Cap
2	6.5	4.3	917698-1	917686-1	316086-1
3	9.0	6.8	917699-1	917687-1	316087-1
4	11.5	9.3	917700-1	917688-1	316088-1
5	14.0	11.8	917701-1	917689-1	316089-1
6	16.5	14.3	917702-1	917690-1	316090-1
7	19.0	16.8	917703-1	917691-1	316091-1
8	21.5	19.3	917704-1	917692-1	316092-1
9	24.0	21.8	917705-1	917693-1	---
10	26.5	24.3	917706-1	917694-1	316094-1
11	29.0	26.8	917707-1	917695-1	---
12	31.5	29.3	917708-1	917696-1	---
13	34.0	31.8	917709-1	917697-1	---

Extraction Tool Part No. for Double Lock Plate : 234606-1 (411-5738)