

Distributed by:

JAMECO[®]
ELECTRONICS

www.Jameco.com ♦ 1-800-831-4242

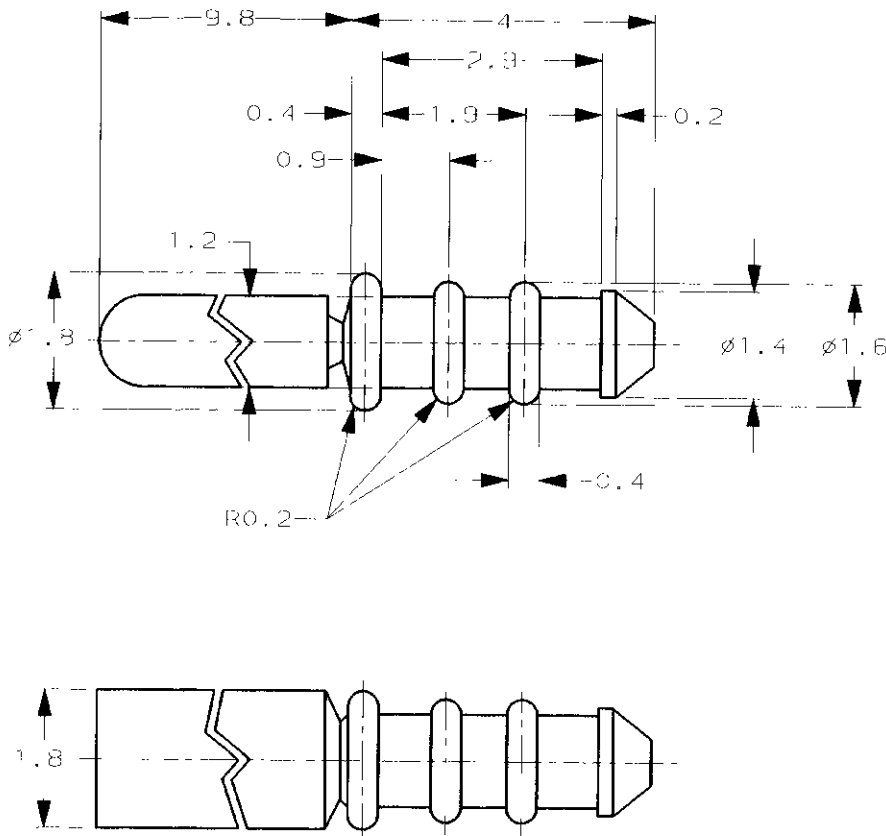
The content and copyrights of the attached
material are the property of its owner.

Jameco Part Number 751306

LOC		DIST		REVISIONS					
P	LTR	DESCRIPTION	FCN	DATE	DWN	APVD			
	0	RELEASED	FJ00-3392-95	10/5/95	IS	AT			
	A	REVISED	FJ00-5624-95	10/28/96	YH	YS			

-7 : AS SHOWN

-7 : 本図



auto2/new/...96-002/...product/s...-R1639C

THIS DRAWING IS UNPUBLISHED. RELEASED FOR PUBLICATION BY AMP INCORPORATED. ALL RIGHTS RESERVED. © COPYRIGHT 19

DIMENSIONS: 単位 耗 mm	DWN	10/5/95	MATERIAL	INSULATION DIA	WIRE RANGE
	CHK	10/5/95	PBT	被覆外径	総合電線断面積
TOLERANCES UNLESS OTHERWISE SPECIFIED: 一般公差 12 _N ±0.2 30 _N ±0.25 100 _N ±0.3 ANGLE ±0.3°	APVD	10/5/95	AMP 日本エレクトロニクス株式会社 Kawasaki, Japan		
	PRODUCT SPEC				NAME
			SIZE	CAGE CODE	DRAWING NO
			A4		番号 316390
			WEIGHT		SCALE
			0.01g		尺度 0-1
CUSTOMER DRAWING					SHEET 1 OF 1 REV A