

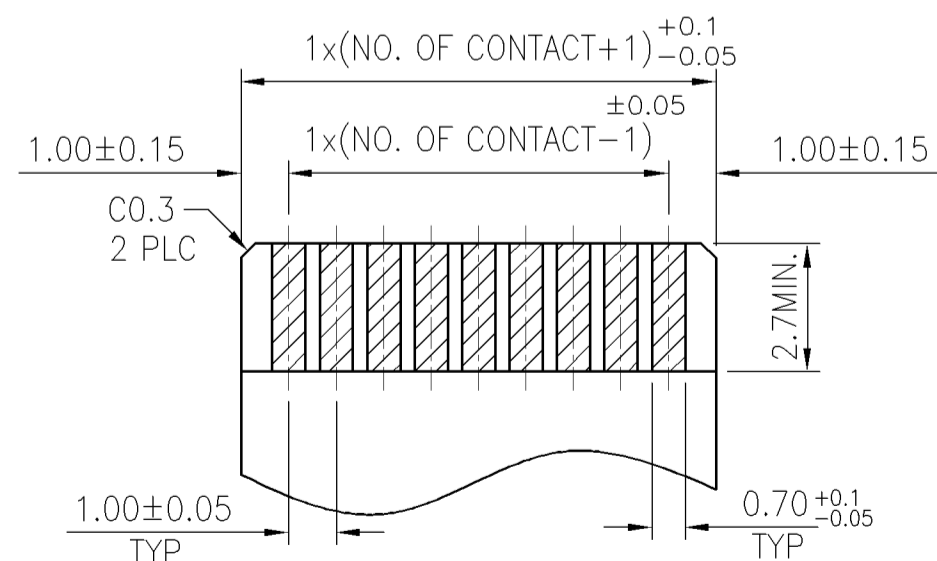
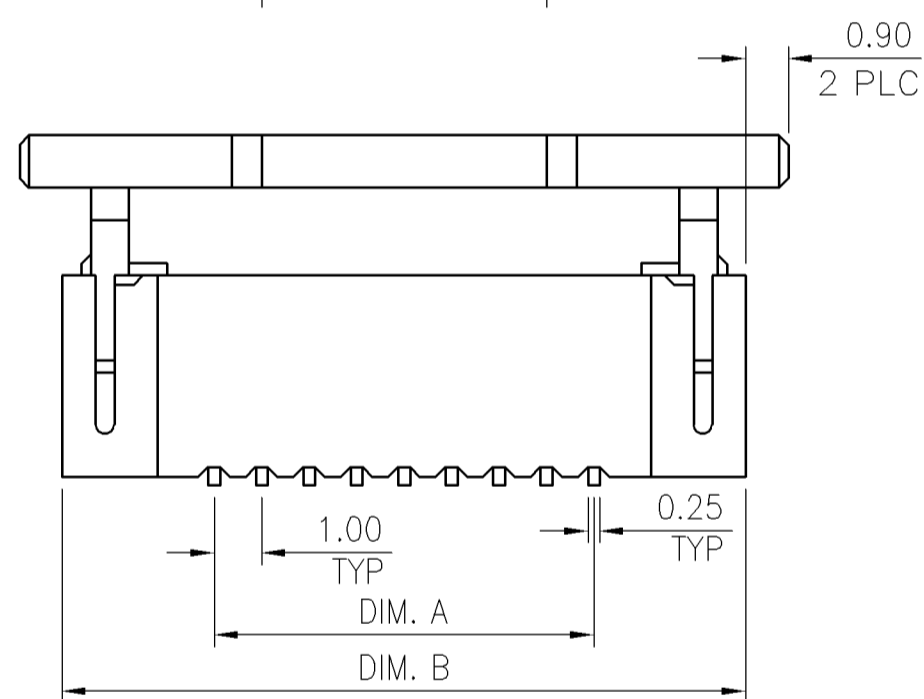
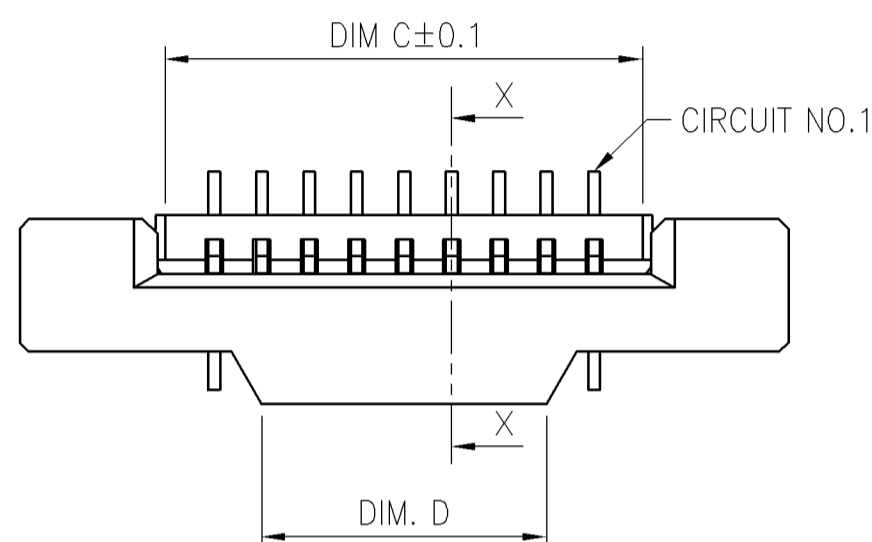
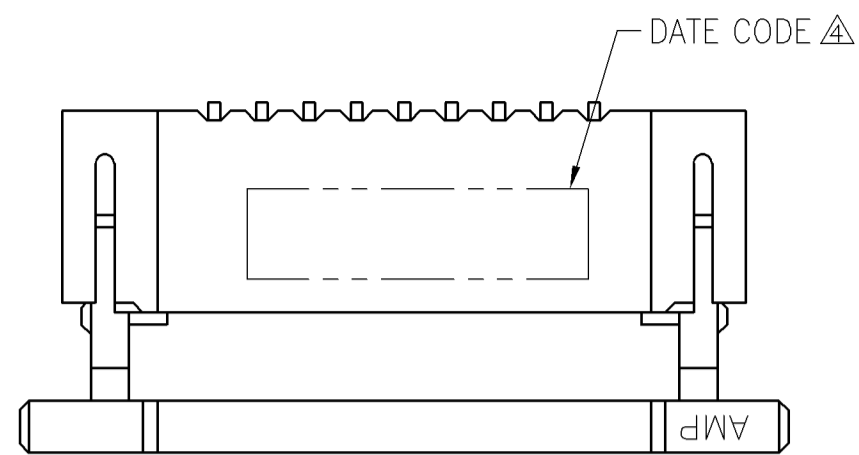
NUMBER
C-1734248

3RD ANGLE PROJECTION

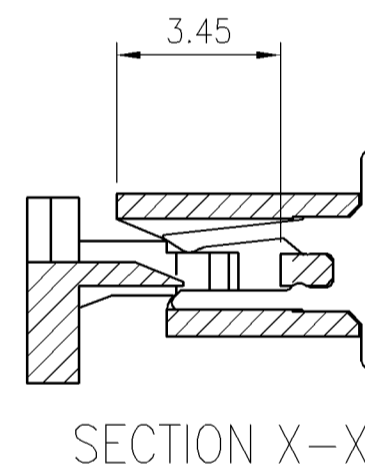
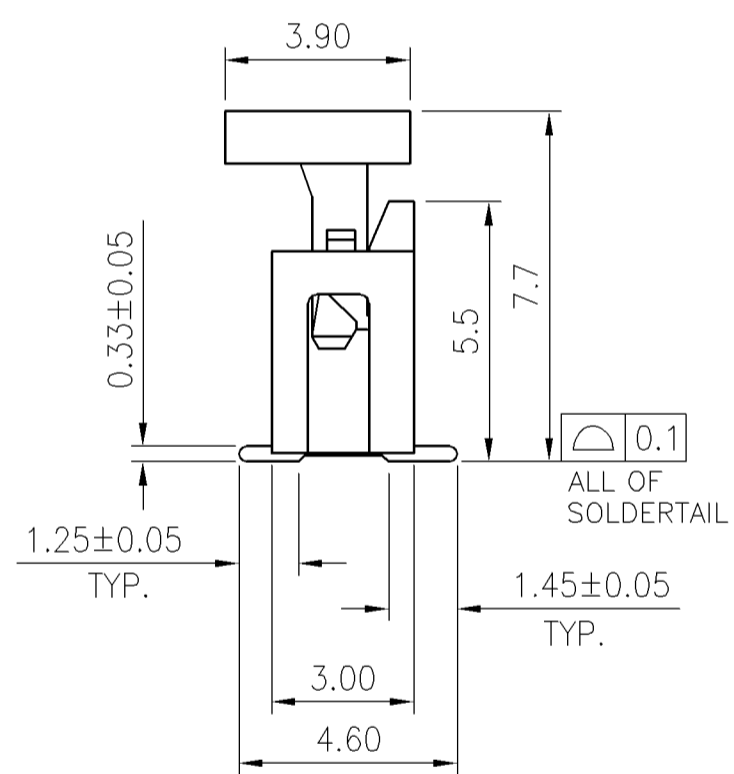
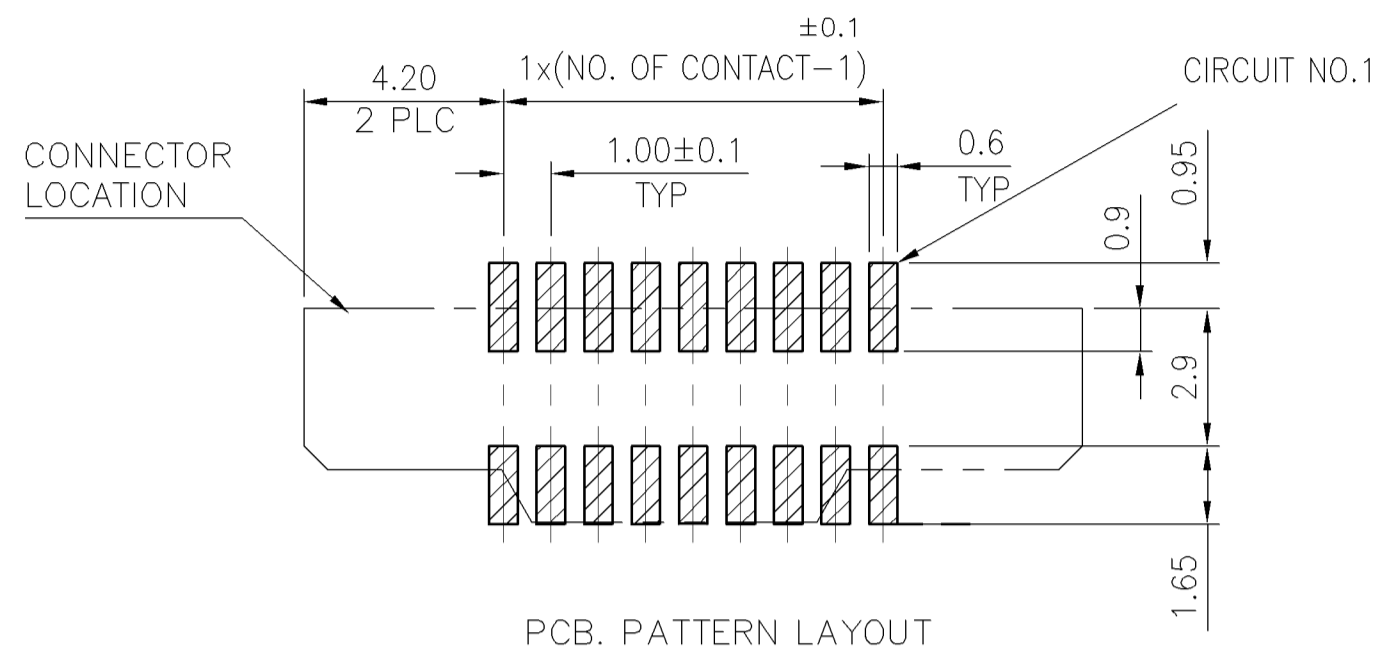
METRIC

THIS INFORMATION IS CONFIDENTIAL AND IS DISCLOSED TO YOU ON CONDITION THAT NO FURTHER DISCLOSURE IS MADE BY YOU TO OTHER THAN AMP PERSONNEL WITHOUT WRITTEN AUTHORIZATION FROM AMP (TAIWAN) LTD. DIMENSIONS IN MILLIMETERS. DO NOT SCALE PRINT.

PRINT
DW



APPLICABLE FPC
RECOMMENDED DIMENSION
(THICKNESS: 0.3 ± 0.05)



NOTES:

1. MATERIAL:
 - 1.1 HOUSING: THERMOPLASTIC (PA9T)
UL94V-0; COLOR: BLACK.
 - 1.2 ACTUATOR: THERMOPLASTIC (PA9T)
UL94V-0; COLOR: BLACK.
 - 1.3 CONTACTS: PHOSPHOR BRONZE
 2. FINISH:
 - 2.1 CONTACT:
GOLD FLASH PLATING OVERALL.
1.27 μm (50 μ") MIN. NICKEL UNDERPLATING OVERALL.
 3. REFLOW SOLDER CAPABLE TO 260°C
PER TYCO SPEC. 109-201, CONDITION B.
- ▲ WITHOUT DATE CODE FOR 8 POSITION UNDER.

37	41.06	45.6	39.0	40	4-1734248-0
36	40.06	44.6	38.0	39	3-1734248-9
35	39.06	43.6	37.0	38	3-1734248-8
34	38.06	42.6	36.0	37	3-1734248-7
33	37.06	41.6	35.0	36	3-1734248-6
32	36.06	40.6	34.0	35	3-1734248-5
31	35.06	39.6	33.0	34	3-1734248-4
30	34.06	38.6	32.0	33	3-1734248-3
29	33.06	37.6	31.0	32	3-1734248-2
28	32.06	36.6	30.0	31	3-1734248-1
27	31.06	35.6	29.0	30	3-1734248-0
26	30.06	34.6	28.0	29	2-1734248-9
25	29.06	33.6	27.0	28	2-1734248-8
24	28.06	32.6	26.0	27	2-1734248-7
23	27.06	31.6	25.0	26	2-1734248-6
22	26.06	30.6	24.0	25	2-1734248-5
21	25.06	29.6	23.0	24	2-1734248-4
20	24.06	28.6	22.0	23	2-1734248-3
19	23.06	27.6	21.0	22	2-1734248-2
18	22.06	26.6	20.0	21	2-1734248-1
17	21.06	25.6	19.0	20	2-1734248-0
16	20.06	24.6	18.0	19	1-1734248-9
15	19.06	23.6	17.0	18	1-1734248-8
14	18.06	22.6	16.0	17	1-1734248-7
13	17.06	21.6	15.0	16	1-1734248-6
12	16.06	20.6	14.0	15	1-1734248-5
11	15.06	19.6	13.0	14	1-1734248-4
10	14.06	18.6	12.0	13	1-1734248-3
9	13.06	17.6	11.0	12	1-1734248-2
8	12.06	16.6	10.0	11	1-1734248-1
7	11.06	15.6	9.0	10	1-1734248-0
6	10.06	14.6	8.0	9	1734248-9
5	9.06	13.6	7.0	8	1734248-8
4	8.06	12.6	6.0	7	1734248-7
3	7.06	11.6	5.0	6	1734248-6
2	6.06	10.6	4.0	5	1734248-5
2	5.06	9.6	3.0	4	1734248-4
2	4.06	8.6	2.0	3	1734248-3
DIM D	DIM C	DIM B	DIM A	POS.	PART NUMBER

A	REVISED	ECR-07-007362	HH	30MAR
O	FIRST RELEASED	--	SH	12AUG
LTR	REVISION RECORD	ECN	DWN	2005
			CHK	DATE

TOLERANCES UNLESS OTHERWISE SPECIFIED:	DWN	H. HUANG
0 PLC ±	30-MAR-2007	
1 PLC ±0.3	CHK	S. HOU
2 PLC ±0.2	30-MAR-2007	
3 PLC ±		
ANGLES ±3°		
MATERIAL	APVD	W.J. KE
SEE NOTE	30-MAR-2007	
FINISH	PRODUCT SPEC	108-57080
SEE NOTE	QUALIFICATION TEST REPORT	501-57098
	WEIGHT	--

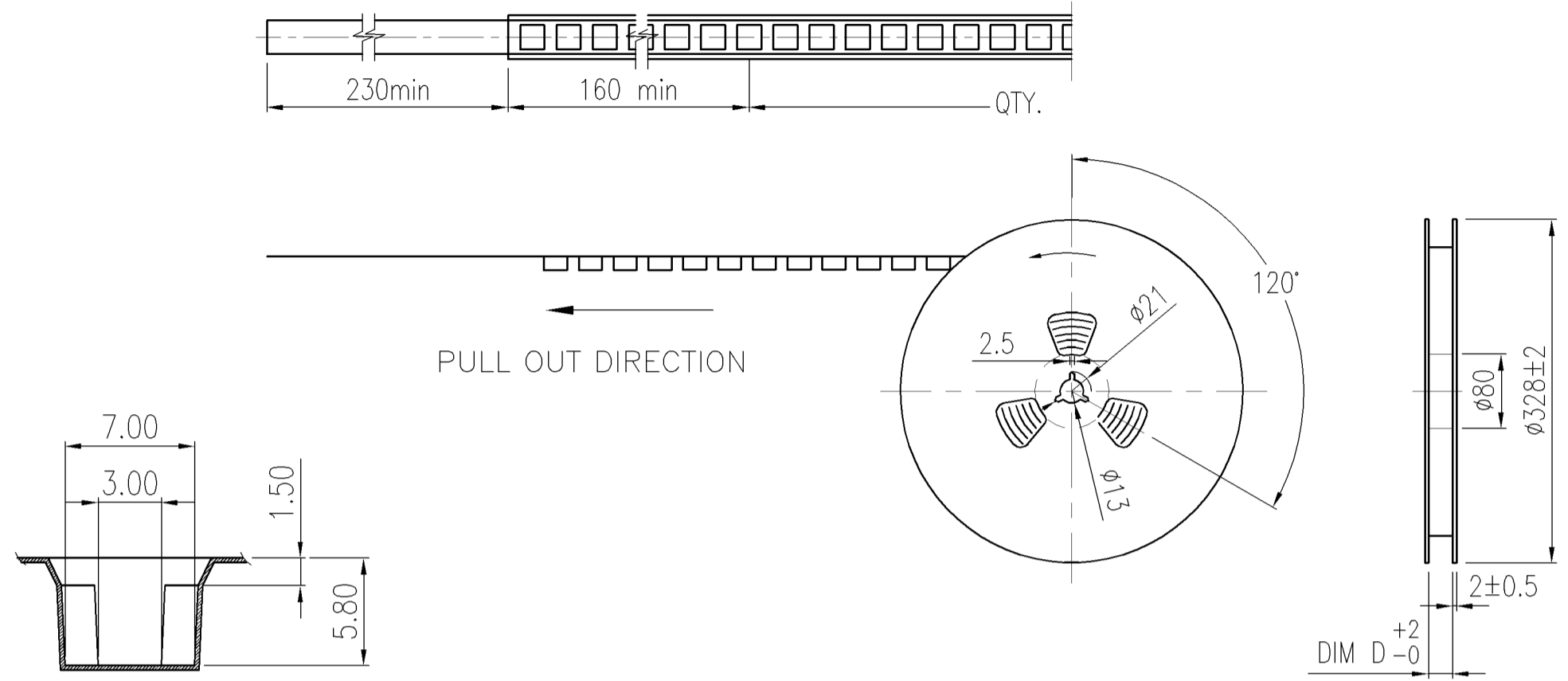
TYCO Electronics				TYCO HOLDINGS (BERMUDA) VII LTD. TAIWAN BRANCH	
NAME 1.0 MM FPC, ZIF VERTICAL, SMT TYPE.					
LOC	SIZE	DRAWING NO	REV		
DW	A ₃	C-1734248	A		
SCALE			SHEET		
--			1 OF 2		

NUMBER
C-1734248

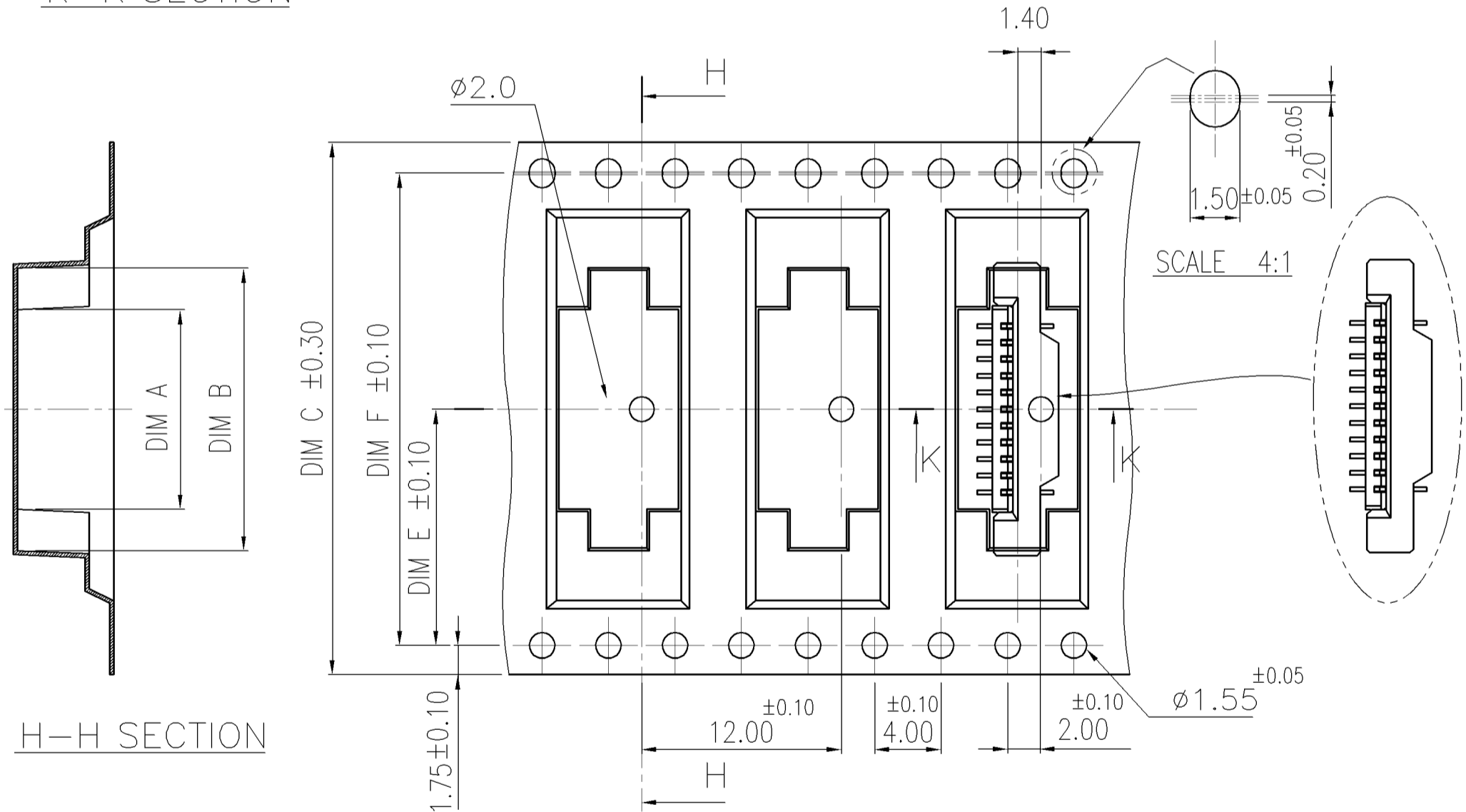
METRIC
3RD ANGLE PROJECTION

THIS INFORMATION IS CONFIDENTIAL AND IS DISCLOSED TO YOU ON CONDITION THAT NO FURTHER DISCLOSURE IS MADE BY YOU TO OTHER THAN AMP PERSONNEL WITHOUT WRITTEN AUTHORIZATION FROM AMP (TAIWAN) LTD.
DIMENSIONS IN MILLIMETERS. DO NOT SCALE PRINT.

PRINT
DW



K-K SECTION



H-H SECTION

- NOTES:
 1. MATERIAL :
 1.1 EMBOSSED CARRIER: PS
 1.2 COVER TAPE: PS
 1.3 SHIPPING CARTON: CORRUGATED FIBER
 2. DIMENSION :
 2.1 REEL: W=DIM C
 2.2 SHIPPING CARTON: L=350, W=350, H=350
 3. QUANTITY : PRIMARY PACKING: 1000 PCS/REEL
 4. PEELING RESISTANCE: 10.2gf~71.4gf.
 5. PEELING SPEED: 300mm/minutes.

REELS/ CARTON	DIM F	DIM E	DIM D	DIM C	DIM B	DIM A	G/W (kg)	N/W (kg)	POS.	PART NUMBER
4	68.4	34.2	72.4	70	46	41	8.70	5.50	40	4-1734248-0
					45	40	8.57	5.37	39	3-1734248-9
					44	39	8.45	5.25	38	3-1734248-8
					43	38	11.60	7.68	37	3-1734248-7
6	52.4	26.2	56.4	56	42	37	11.40	7.48	36	3-1734248-6
					41	36	11.21	7.29	35	3-1734248-5
					40	35	11.02	7.10	34	3-1734248-4
					39	34	10.83	6.91	33	3-1734248-3
					38	33	10.63	6.71	32	3-1734248-2
					37	32	10.44	6.52	31	3-1734248-1
					36	31	10.25	6.33	30	3-1734248-0
					35	30	10.06	6.14	29	2-1734248-9
					34	29	9.86	5.94	28	2-1734248-8
					33	28	9.67	5.75	27	2-1734248-7
6	40.4	20.2	44.4	44	32	27	9.00	5.56	26	2-1734248-6
					31	26	8.80	5.36	25	2-1734248-5
					30	25	8.61	5.17	24	2-1734248-4
					29	24	8.42	4.98	23	2-1734248-3
					28	23	8.23	4.79	22	2-1734248-2
					27	22	8.03	4.59	21	2-1734248-1
					26	21	7.84	4.40	20	2-1734248-0
					25	20	7.65	4.21	19	1-1734248-9
					24	19	7.46	4.02	18	1-1734248-8
					23	18	7.26	3.82	17	1-1734248-7
9	28.4	14.2	32.4	32	22	17	7.07	3.63	16	1-1734248-6
					21	16	9.20	5.16	15	1-1734248-5
					20	15	8.91	4.87	14	1-1734248-4
					19	14	8.62	4.58	13	1-1734248-3
					18	13	8.33	4.29	12	1-1734248-2
					17	12	8.04	4.00	11	1-1734248-1
10	23	11.5	24.4	24	16	11	7.73	4.13	10	1-1734248-0
					15	10	7.41	3.81	9	1734248-9
					14	9	7.08	3.48	8	1734248-8
					13	8	6.76	3.16	7	1734248-7
					12	7	6.44	2.84	6	1734248-6
					11	6	6.12	2.52	5	1734248-5
					10	5	5.80	2.20	4	1734248-4
					9	4	5.48	1.88	3	1734248-3

TOLERANCES UNLESS OTHERWISE SPECIFIED: 0 PLC ± 1 PLC ±0.3 2 PLC ±0.2 3 PLC ±0.1 ANGLES ±3°		DWN H. HUANG 30-MAR-2007	TYCO HOLDINGS (BERMUDA) VII LTD. TAIWAN BRANCH	
MATERIAL		CHK S. HOU 30-MAR-2007	NAME	
FINISH		APVD W.J. KE 30-MAR-2007	1.0 MM FPC, ZIF VERTICAL, SMT TYPE.	
WEIGHT		PRODUCT SPEC	LOC DW	REV A
SEE SHEET 1		QUALIFICATION TEST REPORT	SIZE A ₃	DRAWING NO C-1734248
LTR	REVISION RECORD	SCALE	SHEET 2 OF 2	
ECN	DWN CHK	DATE		