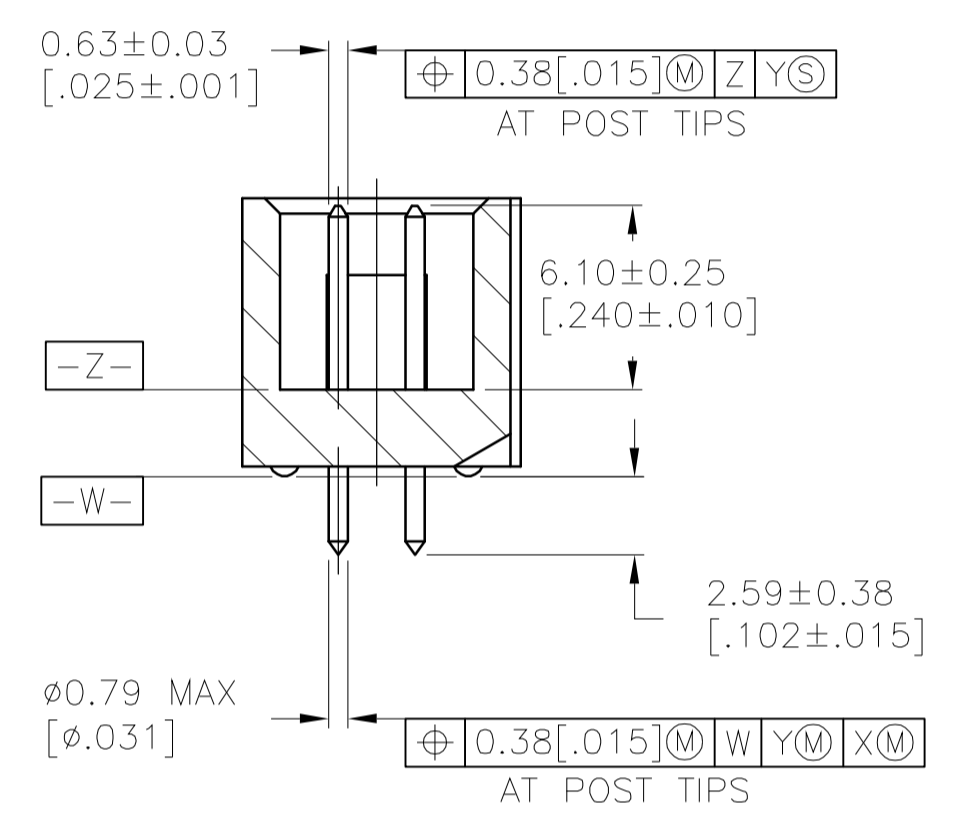
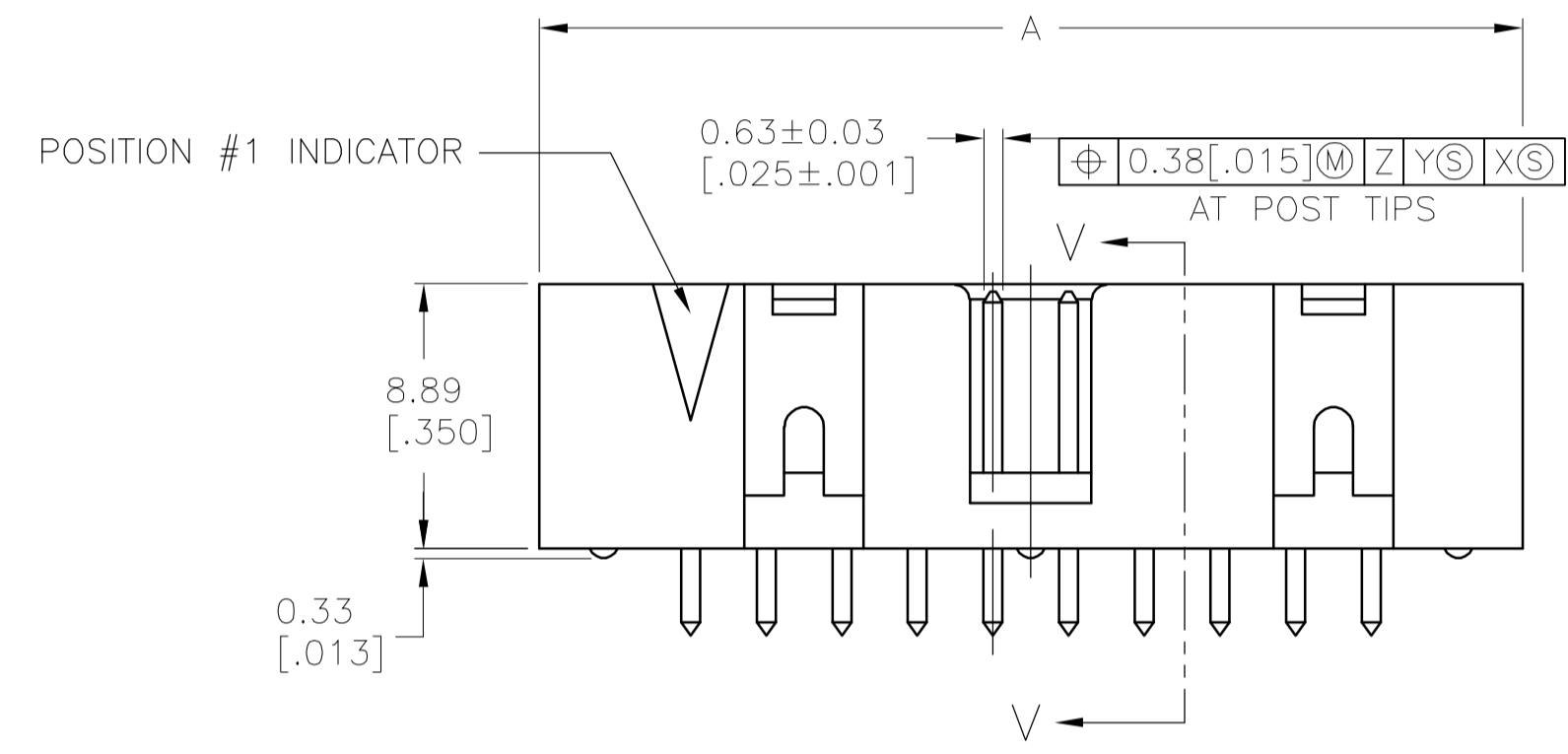
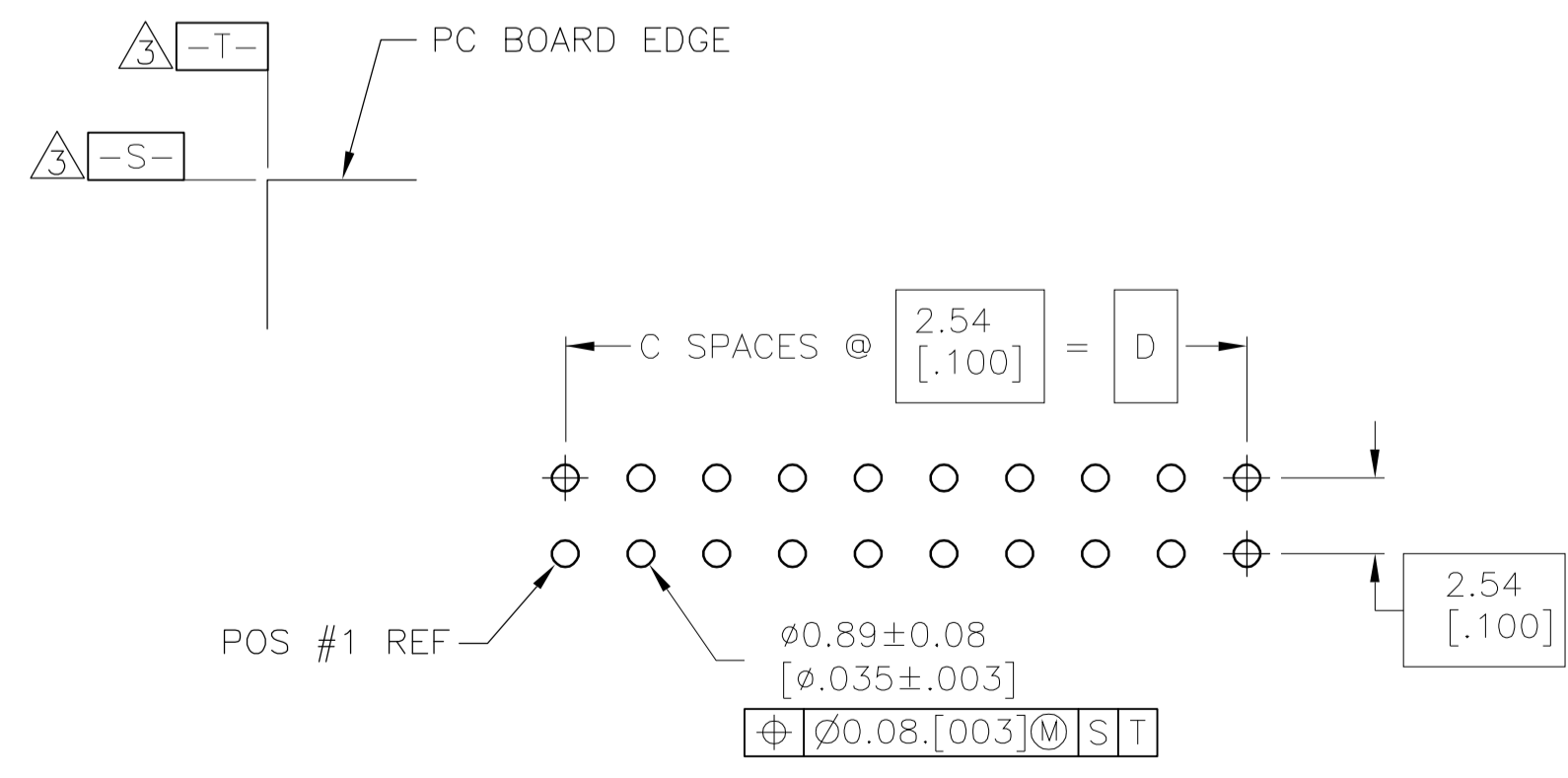


- △ HOUSING: PBT, UL94V-0, COLOR: SEE TABLE.  
POSTS: PHOSPHOR BRONZE.
- △ POSTS: 0.00076[.000030] MIN GOLD ON MATING AREA, 0.00254[.000100] MIN TIN ON SOLDER END, ALL OVER 0.00127[.000050] MIN NICKEL ON ENTIRE POST.
- △ DATUMS S & T TO BE ESTABLISHED BY CUSTOMER.
- △ NO KEYING SLOT ON THIS END FOR 6, 8, 10, 12 & 14 POSITION ASSEMBLIES.
- △ NO KEYING SLOT ON THIS END FOR 6, 8 & 10 POSITION ASSEMBLIES.



SECTION V-V



RECOMMENDED PC BOARD LAYOUT  
(VIEWED FROM CONNECTOR SIDE)

PART NUMBER	D	C	B	A	NO OF POS	PART NUMBER
BLUE	78.74 [3.100]	31	86.36 [3.400]	88.90 [3.500]	64	3-1761603-7
	73.66 [2.900]	29	81.28 [3.200]	83.82 [3.300]	60	3-1761603-6
	60.96 [2.400]	24	68.58 [2.700]	71.12 [2.800]	50	3-1761603-5
	53.34 [2.100]	21	60.96 [2.400]	63.50 [2.500]	44	3-1761603-4
	48.26 [1.900]	19	55.88 [2.200]	58.42 [2.300]	40	3-1761603-3
	43.18 [1.700]	17	50.80 [2.000]	53.34 [2.100]	36	3-1761603-2
	40.64 [1.600]	16	48.26 [1.900]	50.80 [2.000]	34	3-1761603-1
	35.56 [1.400]	14	43.18 [1.700]	45.72 [1.800]	30	3-1761603-0
	30.48 [1.200]	12	38.10 [1.500]	40.64 [1.600]	26	2-1761603-9
	27.94 [1.100]	11	35.56 [1.400]	38.10 [1.500]	24	2-1761603-8
	22.86 [.900]	9	30.48 [1.200]	33.02 [1.300]	20	2-1761603-7
	17.78 [.700]	7	25.40 [1.000]	27.94 [1.100]	16	2-1761603-6
	15.24 [.600]	6	22.86 [.900]	25.40 [1.000]	14	2-1761603-5
	12.70 [.500]	5	20.32 [.800]	22.86 [.900]	12	2-1761603-4
	10.16 [.400]	4	17.78 [.700]	20.32 [.800]	10	2-1761603-3
	7.62 [.300]	3	15.24 [.600]	17.78 [.700]	8	2-1761603-2
	5.08 [.200]	2	12.70 [.500]	15.24 [.600]	6	2-1761603-1
BLACK	73.66 [2.900]	29	81.28 [3.200]	83.82 [3.300]	60	1-1761603-6
	60.96 [2.400]	24	68.58 [2.700]	71.12 [2.800]	50	1-1761603-5
	48.26 [1.900]	19	55.88 [2.200]	58.42 [2.300]	40	1-1761603-3
	40.64 [1.600]	16	48.26 [1.900]	50.80 [2.000]	34	1-1761603-1
	30.48 [1.200]	12	38.10 [1.500]	40.64 [1.600]	26	1761603-9
	22.86 [.900]	9	30.48 [1.200]	33.02 [1.300]	20	1761603-7
	17.78 [.700]	7	25.40 [1.000]	27.94 [1.100]	16	1761603-6
	15.24 [.600]	6	22.86 [.900]	25.40 [1.000]	14	1761603-5
	10.16 [.400]	4	17.78 [.700]	20.32 [.800]	10	1761603-3

THIS DRAWING IS A CONTROLLED DOCUMENT.

DWG: B.CRISAMORE/DJI  
 CHK: S.BOLASH  
 APD: M.WALMSLEY  
 NAME: M.WALMSLEY  
 Tyco Electronics Corporation  
 Harrisburg, Pa 17105-3608

DIMENSIONS: mm  
 TOLERANCES UNLESS OTHERWISE SPECIFIED:  
 0 PLC ± -  
 1 PLC ± -  
 2 PLC ± -  
 3 PLC ± 0.13[.005]  
 4 PLC ± -  
 ANGLES ± -  
 FINISH

PRODUCT SPEC: -  
 APPLICATION SPEC: -  
 WEIGHT: -  
 CUSTOMER DRAWING

SIZE: A1  
 CAGE CODE: 00779  
 DRAWING NO: 1761603  
 RESTRICTED TO: -  
 SCALE: 4:1  
 SHEET: 1 of 1  
 REV: 0

**COPYRIGHT 2005  
 TYCO ELECTRONICS CORP  
 ALL RIGHTS RESERVED**