

Distributed by:

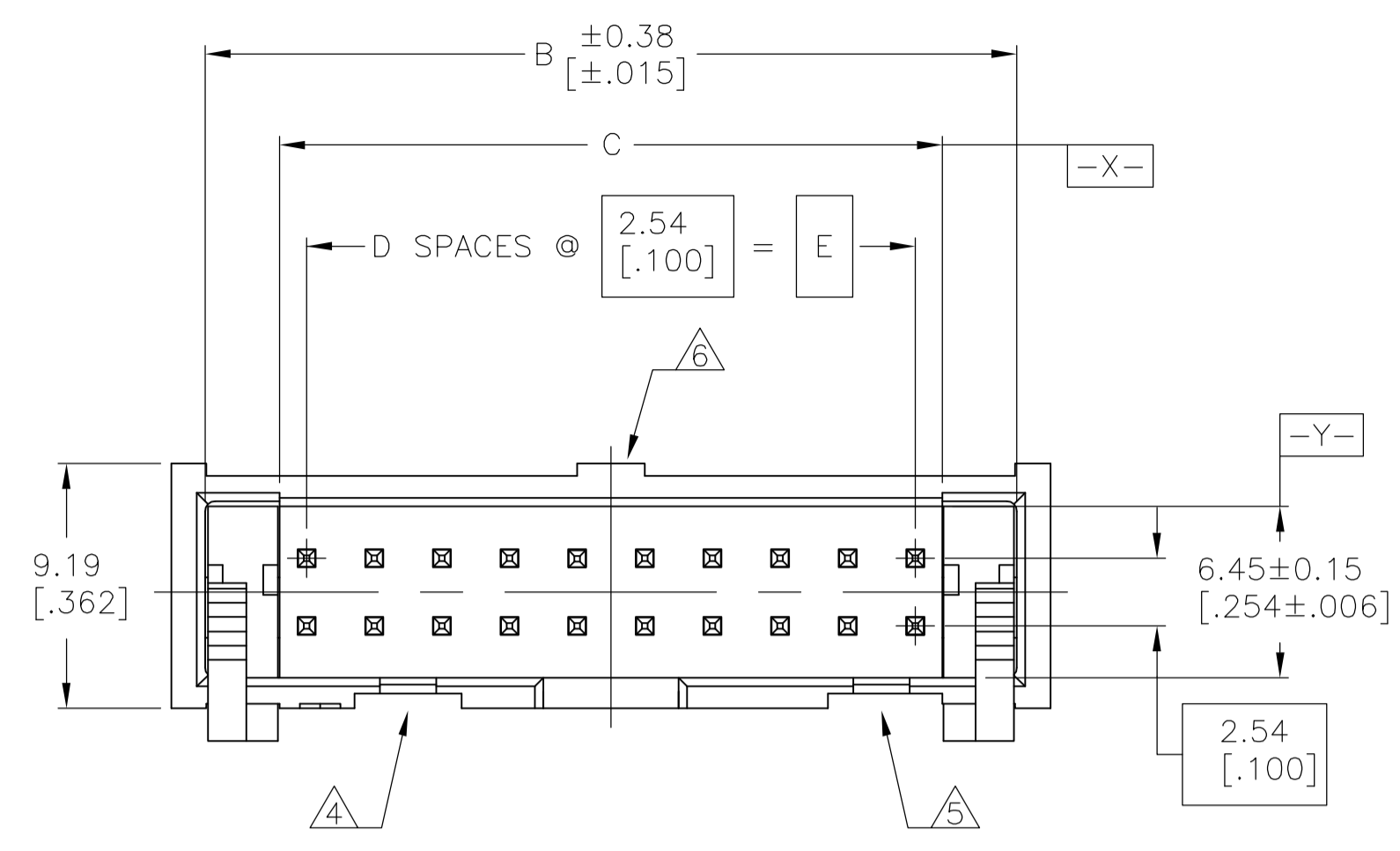
**JAMECO**<sup>®</sup>  
ELECTRONICS

**www.Jameco.com ♦ 1-800-831-4242**

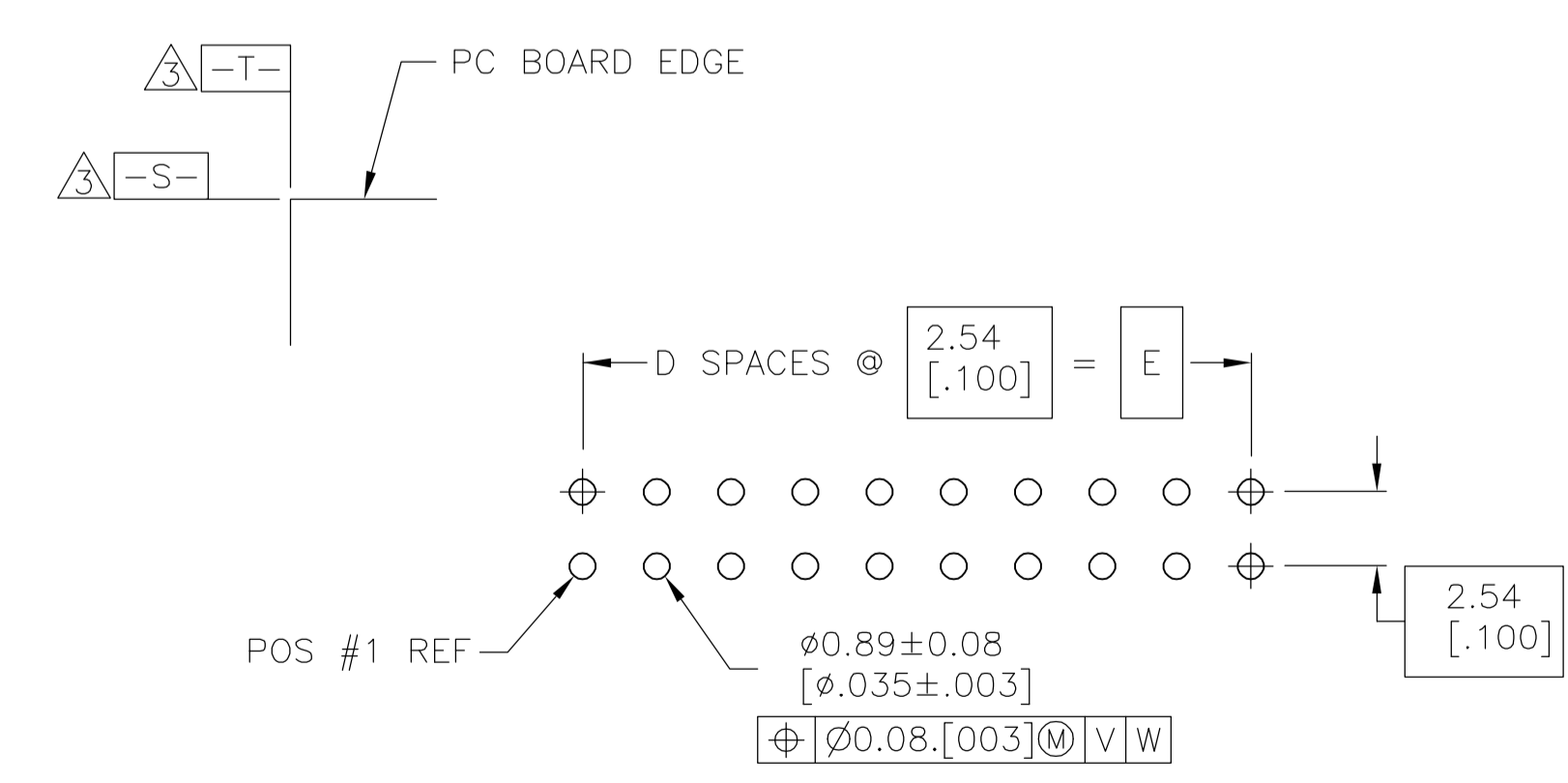
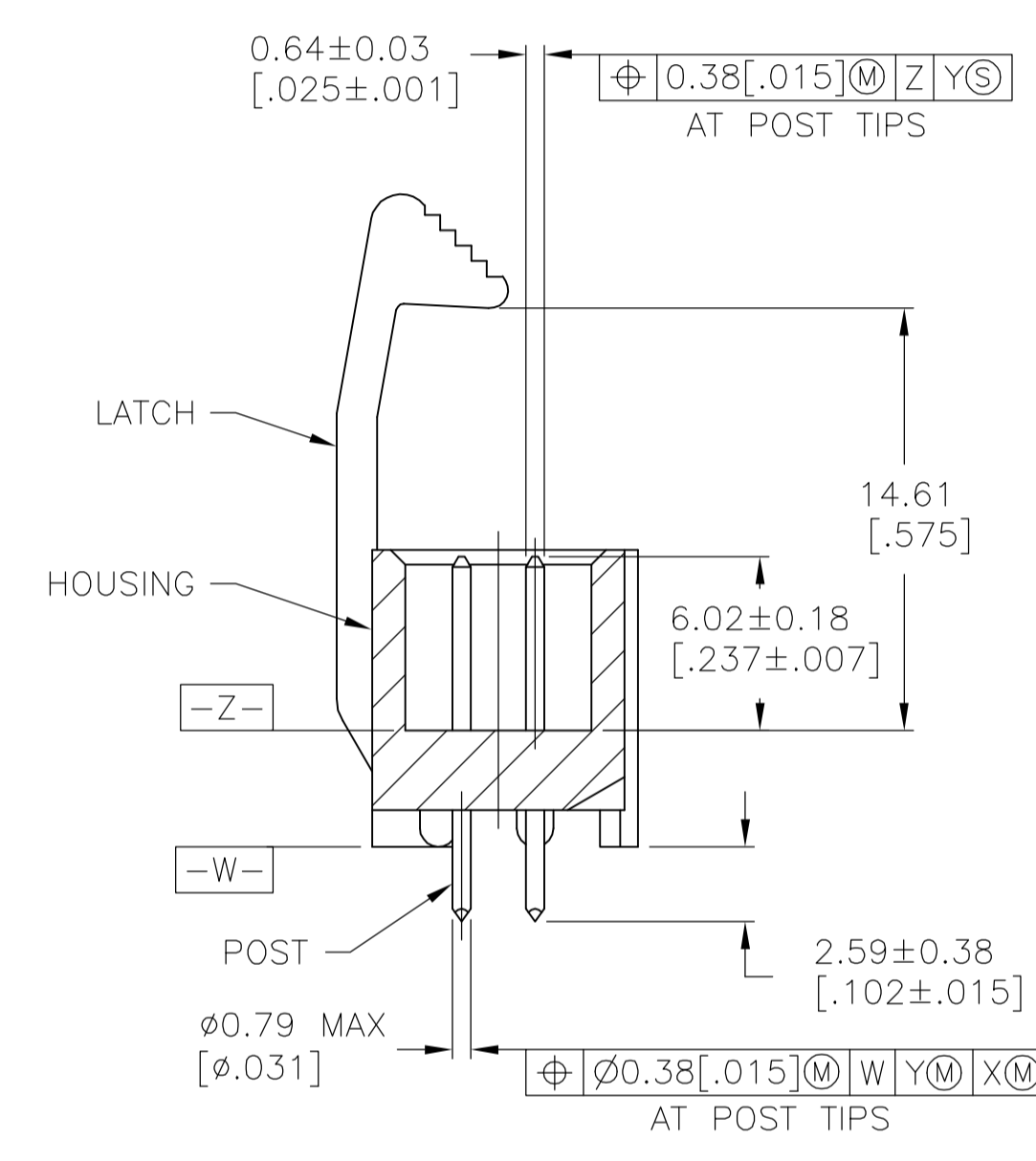
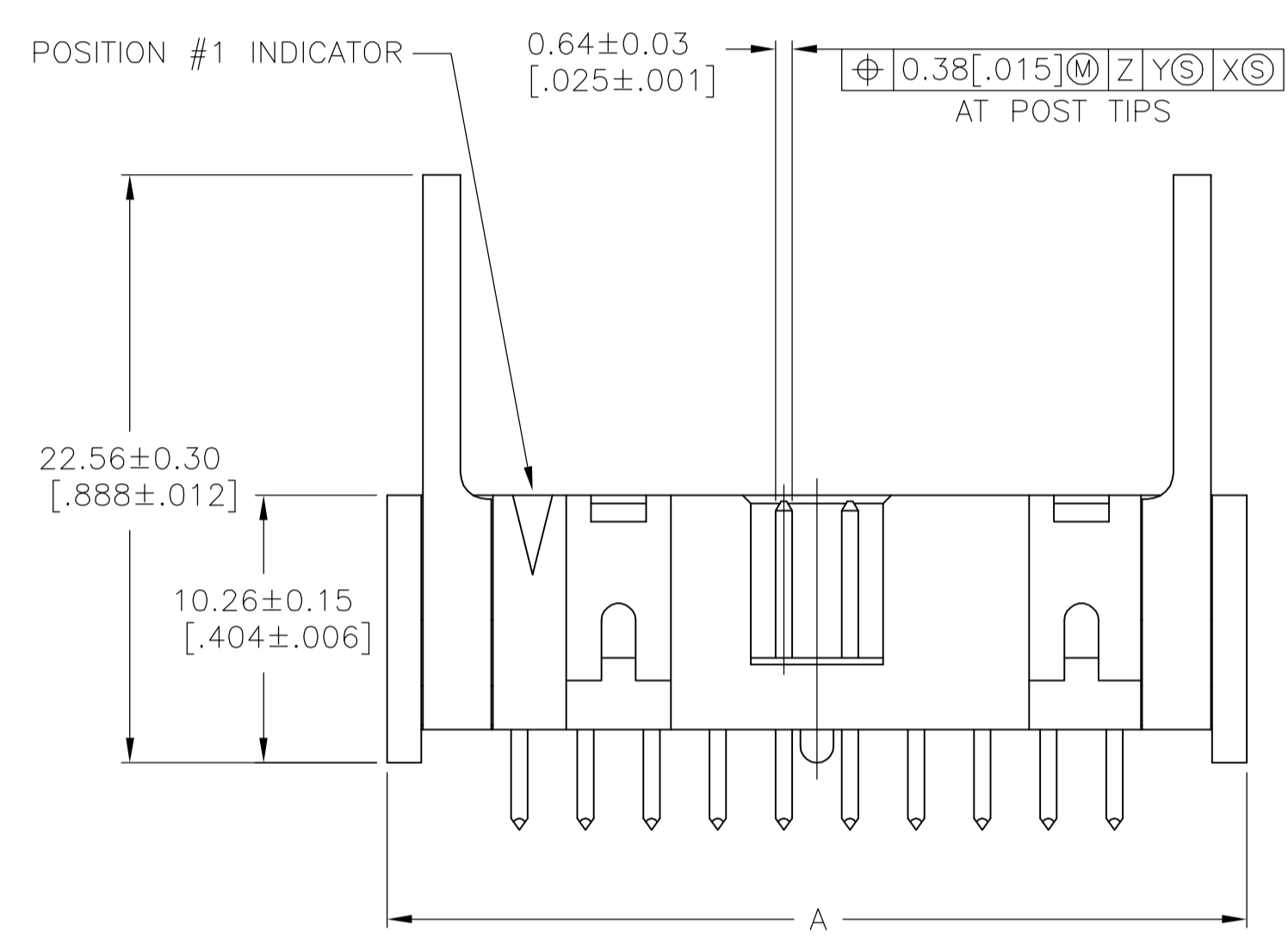
The content and copyrights of the attached  
material are the property of its owner.

Jameco Part Number 1967168

LOC		DIST		REVISIONS				
GP	00	REV	DATE	BY	APPV	DATE	BY	APPV
C		REVISED PER ECO-06-024235	31JAN07	BM	SB			



- ① HOUSING: PBT, UL94V-0, COLOR (SEE TABLE).  
POSTS: PHOSPHOR BRONZE.  
LATCHES: ZINC ALLOY.
- ② POSTS: 0.00076[.00030] MIN GOLD ON MATING AREA, 0.00254[.000100] MIN TIN ON SOLDER END, ALL OVER 0.00127[.000050] MIN NICKEL ON ENTIRE POST.  
LATCHES: BLACK CHROMATE.
- ③ DATUMS S & T TO BE ESTABLISHED BY CUSTOMER.
- ④ NO KEYING SLOT ON THIS END FOR 6, 8, 10, 12 & 14 POSITION ASSEMBLIES.
- ⑤ NO KEYING SLOT ON THIS END FOR 6, 8 & 10 POSITION ASSEMBLIES.
- ⑥ NO STANDOFF FOR 6, 8, 10, 12, 14 & 16 POSITION ASSEMBLIES.



RECOMMENDED PC BOARD LAYOUT  
(VIEWED FROM CONNECTOR SIDE)

HOUSING COLOR	E	D	C	B	A	NO OF POS	PART NUMBER
BLUE	78.74 [3.100]	31	80.77 [3.180]	86.26 [3.396]	88.90 [3.500]	64	3-1761606-7
BLUE	73.66 [2.900]	29	75.69 [2.980]	81.18 [3.196]	83.82 [3.300]	60	3-1761606-6
BLUE	60.96 [2.400]	24	62.99 [2.480]	68.48 [2.696]	71.12 [2.800]	50	3-1761606-5
BLUE	48.26 [1.900]	19	50.29 [1.980]	55.78 [2.196]	58.42 [2.300]	40	3-1761606-3
OBSOLETE	43.18 [1.700]	17	45.21 [1.780]	50.70 [1.996]	53.34 [2.100]	36	3-1761606-2
BLUE	40.64 [1.600]	16	42.67 [1.680]	48.16 [1.896]	50.80 [2.000]	34	3-1761606-1
OBSOLETE	35.56 [1.400]	14	37.59 [1.480]	43.08 [1.696]	45.72 [1.800]	30	3-1761606-0
BLUE	30.48 [1.200]	12	32.51 [1.280]	38.00 [1.496]	40.64 [1.600]	26	2-1761606-9
BLUE	27.94 [1.100]	11	29.97 [1.180]	35.46 [1.396]	38.10 [1.500]	24	2-1761606-8
BLUE	22.86 [0.900]	9	24.89 [0.980]	30.38 [1.196]	33.02 [1.300]	20	2-1761606-7
BLUE	17.78 [0.700]	7	19.81 [0.780]	25.30 [0.996]	27.94 [1.100]	16	2-1761606-6
BLUE	15.24 [0.600]	6	17.27 [0.680]	22.76 [0.896]	25.40 [1.000]	14	2-1761606-5
OBSOLETE	12.70 [0.500]	5	14.73 [0.580]	20.22 [0.796]	22.86 [0.900]	12	2-1761606-4
BLUE	10.16 [0.400]	4	12.19 [0.480]	17.68 [0.696]	20.32 [0.800]	10	2-1761606-3
BLUE	7.62 [0.300]	3	9.65 [0.380]	15.14 [0.596]	17.78 [0.700]	8	2-1761606-2
BLUE	5.08 [0.200]	2	7.11 [0.280]	12.60 [0.496]	15.24 [0.600]	6	2-1761606-1
BLACK	73.66 [2.900]	29	75.69 [2.980]	81.18 [3.196]	83.82 [3.300]	60	1-1761606-6
BLACK	60.96 [2.400]	24	62.99 [2.480]	68.48 [2.696]	71.12 [2.800]	50	1-1761606-5
BLACK	48.26 [1.900]	19	50.29 [1.980]	55.78 [2.196]	58.42 [2.300]	40	1-1761606-3
BLACK	40.64 [1.600]	16	42.67 [1.680]	48.16 [1.896]	50.80 [2.000]	34	1-1761606-1
BLACK	35.56 [1.400]	14	37.59 [1.480]	43.08 [1.696]	45.72 [1.800]	30	1-1761606-0
BLACK	30.48 [1.200]	12	32.51 [1.280]	38.00 [1.496]	40.64 [1.600]	26	1761606-9
BLACK	27.94 [1.100]	11	29.97 [1.180]	35.46 [1.396]	38.10 [1.500]	24	1761606-8
BLACK	22.86 [0.900]	9	24.89 [0.980]	30.38 [1.196]	33.02 [1.300]	20	1761606-7
BLACK	17.78 [0.700]	7	19.81 [0.780]	25.30 [0.996]	27.94 [1.100]	16	1761606-6
BLACK	15.24 [0.600]	6	17.27 [0.680]	22.76 [0.896]	25.40 [1.000]	14	1761606-5
BLACK	10.16 [0.400]	4	12.19 [0.480]	17.68 [0.696]	20.32 [0.800]	10	1761606-3

THIS DRAWING IS A CONTROLLED DOCUMENT.

DIMENSIONS: mm [INCHES]	TOLERANCES UNLESS OTHERWISE SPECIFIED:	DWG: J. GERACE	DATE: 03MAR05	 Tyco Electronics Corporation Harrisburg, PA 17105-3608
0 PLC ± -	1 PLC ± -	CHK: S. BOLASH	DATE: 03MAR05	
2 PLC ± -	3 PLC ± 0.13[.005]	APPV: M. WALMSLEY	DATE: 03MAR05	NAME: M. WALMSLEY
4 PLC ± -	ANGLES ± -	PRODUCT SPEC: -	APPLICATION SPEC: -	HEADER ASSEMBLY, VERTICAL, LONG EJECT LATCH, LOW PROFILE, IDC
MATERIAL: -	FINISH: -	SIZE: A1	CAGE CODE: 00779	DRAWING NO: 1761606
		RESTRICTED TO: -	WEIGHT: -	CUSTOMER DRAWING: -

SCALE: 4:1 SHEET 1 OF 1 REV C