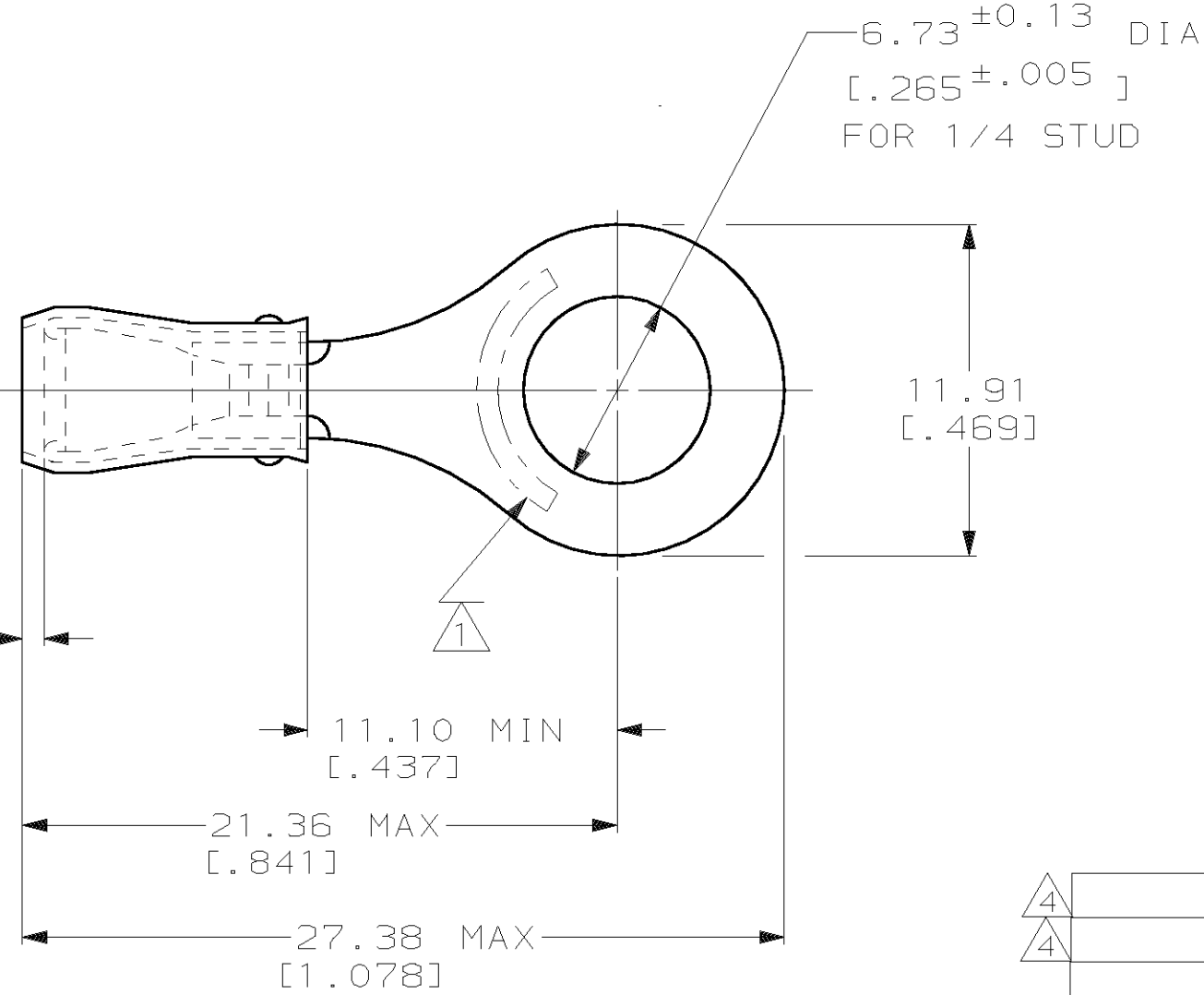


THIS DRAWING IS UNPUBLISHED. RELEASED FOR PUBLICATION, 19
 © COPYRIGHT 19 BY AMP INCORPORATED. ALL INTERNATIONAL RIGHTS RESERVED.

LOC	DIST	P	F	REVISIONS			DATE	APPD
G	14			ZONE	LTR	DESCRIPTION		
					V	REV PER OG3A-0246-01	26JUL01	SR TM

AMP WIRE RANGE	UL Listed	SR LR7189 Certified
22-16 AWG SOLID OR STRANDED	22-16 AWG SOLID OR STRANDED	22-16 AWG SOLID OR STRANDED



- ① STAMP AMP 22-18* APPROX AS SHOWN
22-16 TERMINALS ARE STAMPED 22-18 IN
ACCORDANCE WITH MILITARY SPEC MIL-T-7928
COMMERCIAL WIRE RANGE IS 22-16
- 2 WIRE INSUL DIA, 2.67-3.56 [.105-.140]
- 3 TONGUE MATERIAL THK, 0.79±0.05 [.031±.002]
- ④ SUPERSEDED BY 8-31894-5

MILITARY P/N AND CLASS	QUANTITY	PACKAGE TYPE	PART NO
-	25	LOOSE PIECE, BLS	9-31894-4
-	5	LOOSE PIECE, BLS	8-31894-4
-	100	LOOSE PIECE, SPECIAL BOX	8-31894-5
-	100	LOOSE PIECE, BOX	8-31894-1
MS 25036-150 CLASS 2	5000	ON TAPE, REEL	2-31894-2
MS 25036-150 CLASS 1 & 2	1000	LOOSE PIECE	31894

AMP INCORPORATED
CUSTOMER SERVICE SYSTEMS

FOR ADDITIONAL PRODUCT INFORMATION OR COPIES OF DRAWINGS AND TECHNICAL DOCUMENTS	PRODUCT INFORMATION CENTER 1-800-522-6752
FOR APPLICATION TOOLING INFORMATION	TOOLING ASSISTANCE CENTER 1-800-722-1111
FOR ORDER ENTRY	1-800-526-5142

MAX RECOMMENDED OPERATING
TEMPERATURE:
105°C [221°F]

VOLTAGE RATING:
300 V MAX

WIRE CROSS SECTIONAL AREA RANGE:
0.26-1.65mm² [509-3,260] CIR MILS

THIS DRAWING IS A CONTROLLED DOCUMENT FOR
AMP INCORPORATED. IT IS SUBJECT TO CHANGE
AND THE CONTROLLING ENGINEERING ORGANIZATION
SHOULD BE CONTACTED FOR THE LATEST REVISION.

DO NOT SCALE PRINT.
UNLESS SPECIFIED
DIMENSIONS IN mm [INCHES]
TOLERANCES ON:
2 PLC DEC ± 0.20[.008]
3 PLC DEC ± -
ANGLES ± -

MATERIAL
COPPER PER ASTM B-152
SLEEVE, RED NYLON

FINISH
TIN PLATE
PER ASTM B 545

DR 02/11/93
DK SCHRUM
CHK 4/28/93
RE HERSEY
APPD 4/28/93
ML ELLIS
APPD 4/28/93
M BARNABA
PRODUCT SPEC
UL 486A
APPLICATION SPEC
NOT AVAILABLE
WEIGHT -

AMP AMP Incorporated
 Harrisburg, PA 17105-3608

NAME
 TERMINAL, RING TONGUE,
 PIDG™, WIRE SIZE: 22-16 AWG

SIZE	CAGE CODE	DRAWING NO
B	00779	C-31894
SCALE	SHEET	
4:1	1 OF 1	