

320383 Product Details

[Share](#) [Print](#) [Email](#)



320383

TE Internal Number: 320383

Active

[View 3D PDF](#)

Ring and Spade Tongue Terminals

Always EU RoHS/ELV Compliant
(Statement of Compliance)

Product Highlights:

- Terminal Shape = Ring Tongue
- Receptacle Style = Straight
- Body Style = SOLISTRAND
- Barrel Type = Closed Barrel
- Wire/Cable Type = Regular Wire

[View all Features](#)

Quick Links

- ▶ [Pricing & Availability](#)
- ▶ [Search for Tooling](#)
- ▶ [Product Feature Selector](#)
- ▶ [Contact Us About This Product](#)

[Add to My Part List](#)

[Request Sample](#)

[Find Similar Products](#)

[Buy Product](#)

Documentation & Additional Information

Product Drawings:

- [TERMINAL, RING TONGUE, SOLISTRAND \(PDF, English\)](#)

Catalog Pages/Data Sheets:

- None Available

Product Specifications:

- None Available

Application Specifications:

- None Available

Instruction Sheets:

- None Available

CAD Files: [\(CAD Format & Compression Information\)](#)

- [2D Drawing \(DXF, Version J\)](#)
- [3D Model \(IGES, Version J\)](#)
- [3D Model \(STEP, Version J\)](#)

[List all Documents](#)

Related Products:

- [Tooling](#)

Product Features (Please use the Product Drawing for all design activity)

Product Type Features:

- [Terminal Shape](#) = Ring Tongue
- [Receptacle Style](#) = Straight
- [Barrel Type](#) = Closed Barrel
- [Wire/Cable Type](#) = Regular Wire
- [Insulation](#) = No
- [Insulation Support](#) = Non-Insulation Support
- [Stud Diameter \(mm \[in\]\)](#) = 6.73 [0.265]
- [Stud Size](#) = 1/4 [M6]
- [Shape](#) = RING-051
- [Heavy Duty](#) = No
- [Finish](#) = Tin

Termination Features:

- [Wire/Cable Size \(CMA\)](#) = 52,600 – 83,700

Dimensions:

- [Barrel I.D. Min. \(mm \[in\]\)](#) = 9.39 [0.370]

Contact Features:

- [Class](#) = 2

Industry Standards:

- [Government/Industry Qualification](#) = Yes
- [Government/Industry Part Number](#) = MS20659-113
- [RoHS/ELV Compliance](#) = RoHS compliant, ELV compliant
- [Lead Free Solder Processes](#) = Not relevant for lead free process
- [RoHS/ELV Compliance History](#) = Always was RoHS compliant

Packaging Features:

- [Packaging Method](#) = Loose Piece

Other:

- [Brand](#) = AMP

Body Features:

- [Body Style](#) = SOLISTRAND
- [Wire Range \(mm \[AWG\]\)](#) = 34.00-35.00² [2]
- [Material](#) = Copper
- [Stock Thickness \(mm \[in\]\)](#) = 1.78 [0.070]

Corporate Information

[About TE](#)
[Investors](#)
[News Room](#)
[Supplier Portal](#)
[Careers](#)
[Terms & Conditions](#)
[Privacy Policy](#)

Quick Links

[Distributor Inventory](#)
[Product Cross Reference](#)
[Documents & Drawings](#)
[Product Compliance Support Center](#)
[Site Map](#)

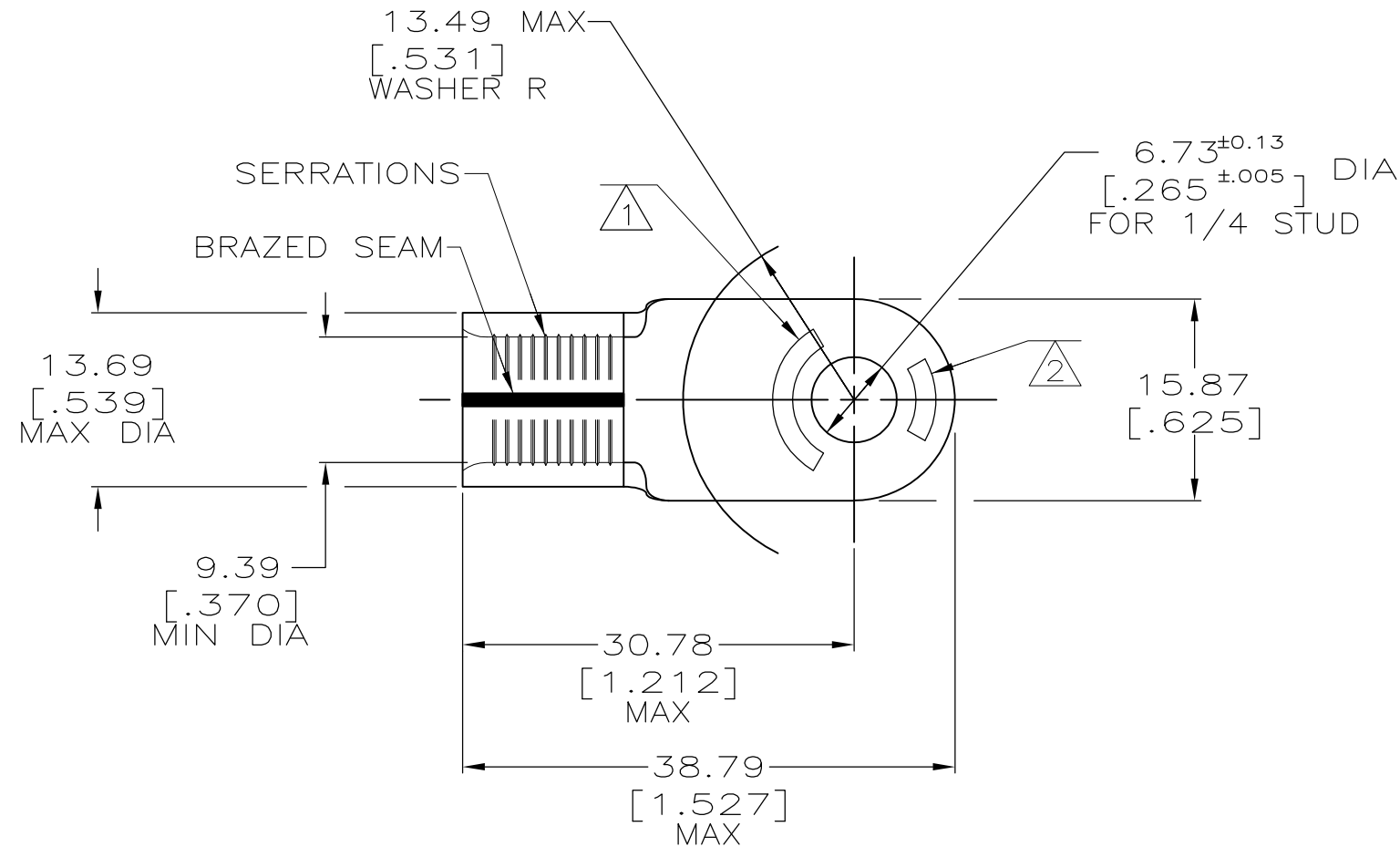
Customer Support

[Email or Chat With Us](#)
[Find a Phone Number](#)
[Knowledge Base](#)
[Manage Your Account](#)

Keep Me Informed

THIS DRAWING IS UNPUBLISHED.		RELEASED FOR PUBLICATION	
© COPYRIGHT - By -		ALL RIGHTS RESERVED.	
PART NUMBER	PACKAGE TYPE	QTY	
8-320383-3	LOOSE PIECE, BOX	25	△4

LOC	DIST	REVISIONS					
G	14	P	LTR	DESCRIPTION	DATE	DWN	APVD
		J1		REVISED PER ECO-11-004820	11MAR11	RK	HMR



AMP WIRE RANGE	E13288 Listed
2 AWG SOLID OR STRANDED	2 AWG STRANDED
LR7189 Certified	MILITARY P/N AND CLASS
2 AWG SOLID OR STRANDED	MS 20659-113 CLASS 2 △6

- △1 STAMP AMP 2W* APPROX AS SHOWN
- △2 STAMP 60-75 APPROX AS SHOWN
- 3 MATERIAL THK: 1.78 ±0.08 [.070 ±.003]
- △4 TIN PL 0.00254 [.000100] MIN THK PER MIL-T-10727
- △5 GOLD PL 0.00127 [.000050] MIN THK PER MIL-G-45204 OVER NICKEL PL 0.00076 [.000030] MIN THK PER QQ-N-290

260° C MAX	△5	2-320383-1
170° C MAX	△4	320383
TEMPERATURE RATING	FINISH	PART NO

AMP INCORPORATED CUSTOMER SERVICE SYSTEMS		MAX RECOMMENDED OPERATING TEMPERATURE: SEE TABLE
FOR ADDITIONAL PRODUCT INFORMATION OR COPIES OF DRAWINGS AND TECHNICAL DOCUMENTS	PRODUCT INFORMATION CENTER 1-800-522-6752	VOLTAGE RATING: NOT APPLICABLE
FOR APPLICATION TOOLING INFORMATION	TOOLING ASSISTANCE CENTER 1-800-722-1111	WIRE CROSS SECTIONAL AREA RANGE: 26.7-42.4mm² [52,600-83,700] CIR MILS SOLID OR STRANDED
FOR ORDER ENTRY	1-800-526-5142	

THIS DRAWING IS A CONTROLLED DOCUMENT.		DWN 5/24/93 DK SCHRUM		TE Connectivity	
DIMENSIONS: mm [INCHES]		CHK 1/27/94 RD HEIM			
		TOLERANCES UNLESS OTHERWISE SPECIFIED:		NAME TERMINAL, RING TONGUE, SOLISTRAND™	
		0 PLC ± - 1 PLC ± - 2 PLC ± 0.20 [.008] 3 PLC ± - 4 PLC ± - ANGLES ± -		APVD 1/27/94 RE ROSER	
MATERIAL COPPER PER ASTM B-152 ANNEALED		FINISH SEE TABLE		PRODUCT SPEC -	
		WEIGHT -		APPLICATION SPEC -	
CUSTOMER DRAWING				SIZE A3	CAGE CODE 00779
				DRAWING NO C-320383	RESTRICTED TO -
				SCALE 2:1	SHEET 1 OF 1
				REV J1	