

Distributed by:

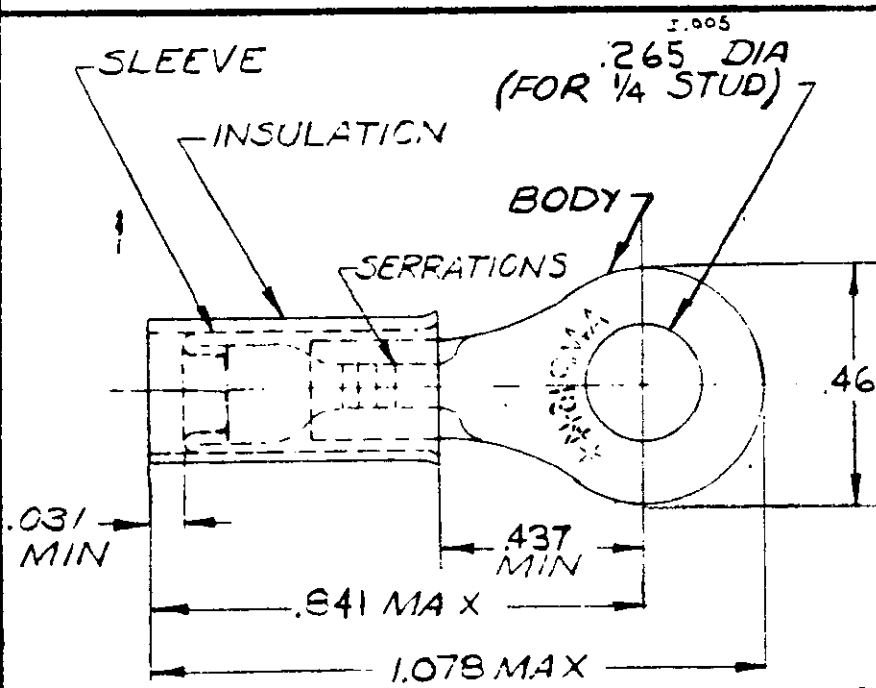
JAMECO[®]
ELECTRONICS

www.Jameco.com ♦ 1-800-831-4242

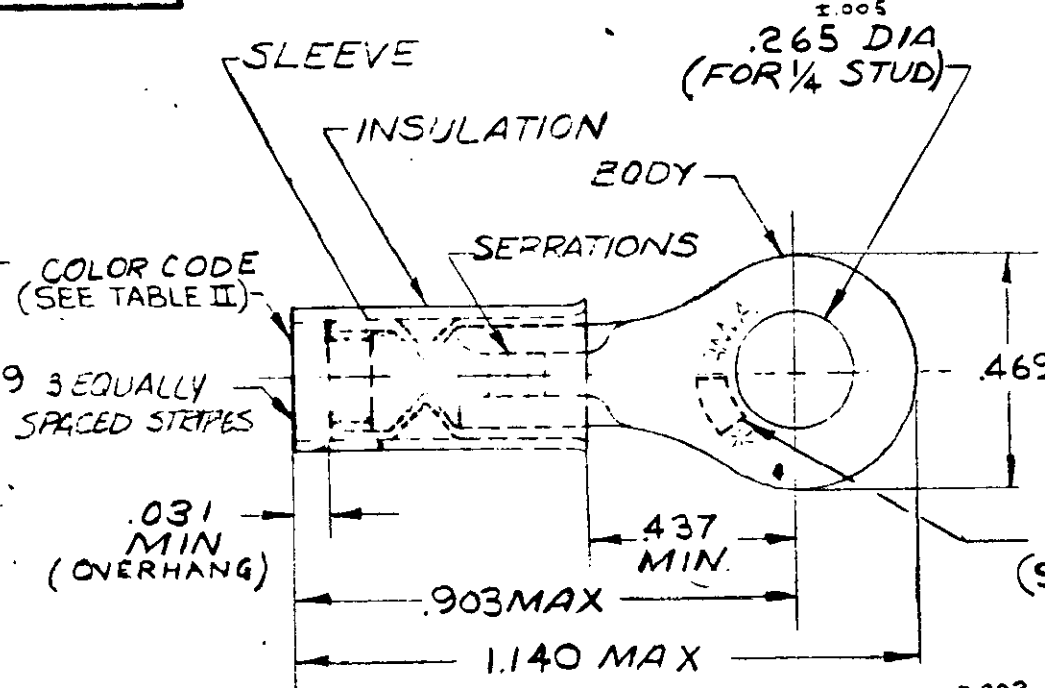
The content and copyrights of the attached
material are the property of its owner.

Jameco Part Number 842179

© 1968 BY AMP INCORPORATED, ALL RIGHTS RESERVED. AMP PRODUCTS COVERED BY PATENTS AND OR PATENTS PENDING.



TONGUE MATERIAL THK. = .031
FOR .105 TO .150 WIRE INS. DIA
STYLE "A"



TONGUE MATERIAL THK. = .031
FOR C/D WIRE INS. DIA
STYLE "B"

ZONE	LTR	DESCRIPTION	DATE	APPROVED
	E	REDRAWN & ADDED 2-320563-3 & 2-4	9-5-69	FCY
	E1	PER NPS 69-0260 & 0263		
	F	REVISED PC-5569	9-11-69	FCY
	G	REVISED B-630	12-18-69	FCY
	H	ADDED TAPE NO.'S	1-5-70	FCY
	J	ADDED 060 MIN COLOR BAND - G 1302	10-28-70	FCY
	K	REV PER PC-3820	5-3-76	FCY
	L	025 2-5 & 2-6 G 2583	10-9-87	PMF
	M	REV/0720-0056-93	3-30-93	TQ./me
	N	REV/0720-0496-95	2-6-95	LO/me

STAMPING
(SEE TABLE II)

TABLE I

QTY	DESCRIPTION	PART NO.	MATERIAL & FINISH
1	WIRE TERMINAL INSULATING RESTRICTING	2-320563-4	BODY: COPPER (QQ-C-576) TIN PL (MIL-T-10727)
		2-320563-3	SLEEVE: COPPER (QQ-C-576) NICKEL PL (QQ-N-290)
			INSULATION: NYLON (MIL-M-20693) TYPE I, COLOR: BLUE
100	LOOSE PC. BOX	8-320563-1	BODY & SLEEVE: COPPER (QQ-C-576) TIN PL (MIL-T-10727)
1	WIRE TERMINAL	320563	INSULATION: NYLON (MIL-M-20693) TYPE I, COLOR: BLUE

PART NO.	PART NO. ON TAPE	COLOR CODE	WIRE STAMPING	"C" "D"	WIRE SIZE	STYLE
8-320563-1					16-14	"A"
2-320563-4	2-320563-6	GREEN		.078 .130	14	"B"
2-320563-3	2-320563-5	BLUE		.063 .130	16	"B"
320563	2-320563-2				16-14	"A"

OBSOLETE 2--5 AND 2--6

TABLE II



AMP INCORPORATED
HARRISBURG, PENNSYLVANIA

WIRE TERMINAL
P.I.D.G. - RING TONGUE

SIZE	CODE IDENT NO	NUMBER
B	00779	320563
SCALE	SHEET 1 OF 1	