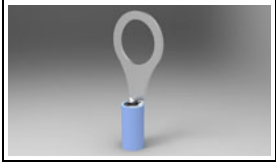


320564 Product Details



320564

TE Internal Number: 320564



Ring and Spade Tongue Terminals

 Always EU RoHS/ELV Compliant (Statement of Compliance)

Product Highlights:

- Terminal Shape = Ring Tongue
- Receptacle Style = Straight
- Body Style = PIDG
- Barrel Type = Closed Barrel
- Wire/Cable Type = Regular Wire

Documentation & Additional Information

Product Drawings:

- [TERMINAL, RING TONGUE, PIDG WIRE SIZE: 16-14 AWG](#) (PDF, English)

Catalog Pages/Data Sheets:

- None Available

Product Specifications:

- None Available

Application Specifications:

- [Pre-Insulated Diamond Grip \(PIDG\) Terminals, Splices...](#) (PDF, English)

Instruction Sheets:

- None Available

CAD Files: (CAD Format & Compression Information)

- [2D Drawing](#) (DXF, Version M)
- [3D Model](#) (IGES, Version M)
- [3D Model](#) (STEP, Version M)

Related Products:

- [Tooling](#)

Product Features (Please use the Product Drawing for all design activity)

Product Type Features:

- Terminal Shape = Ring Tongue
- Receptacle Style = Straight
- Barrel Type = Closed Barrel
- Wire/Cable Type = Regular Wire
- Insulation = Yes
- Insulation Support = Insulation Support
- Stud Diameter (mm [in]) = 9.53 [0.375]
- Stud Size = 3/8 [9.53]
- Shape = RING-041
- Heavy Duty = No
- Finish = Tin
- Color = Blue

Electrical Characteristics:

- Voltage (VAC) = 300

Termination Features:

- Wire/Cable Size (CMA) = 2,050 - 5,180

Dimensions:

- Insulation Diameter (mm [in]) = 3.81 [.150] Max.

Body Features:

- Body Style = PIDG
- Wire Range (mm [AWG]) = 1.25-2.00² [16-14]
- Material = Copper
- Tongue Material Thickness (mm [in]) = 0.84 [0.033]
- Insulation Material = Nylon

Contact Features:

- Class = 1 & 2

Industry Standards:

- Government/Industry Qualification = Yes
- Government/Industry Part Number = MS25036-110
- RoHS/ELV Compliance = RoHS compliant, ELV compliant
- Lead Free Solder Processes = Not relevant for lead free process
- RoHS/ELV Compliance History = Always was RoHS compliant

Packaging Features:

- Packaging Method = Loose Piece
- Packaging Quantity = 100/Box

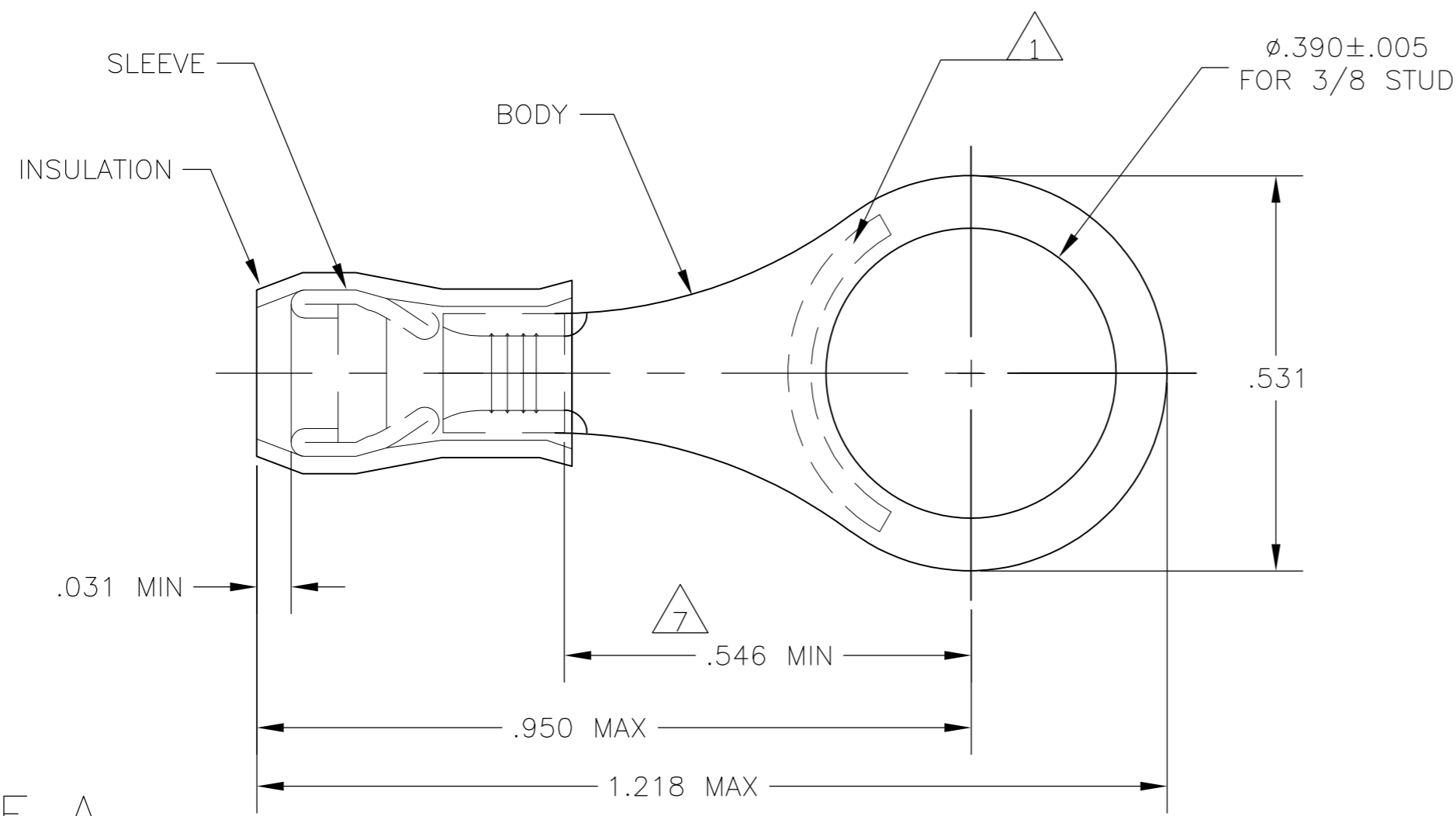
Other:

- Brand = AMP

THIS DRAWING IS UNPUBLISHED. RELEASED FOR PUBLICATION
 © COPYRIGHT - By - ALL RIGHTS RESERVED.

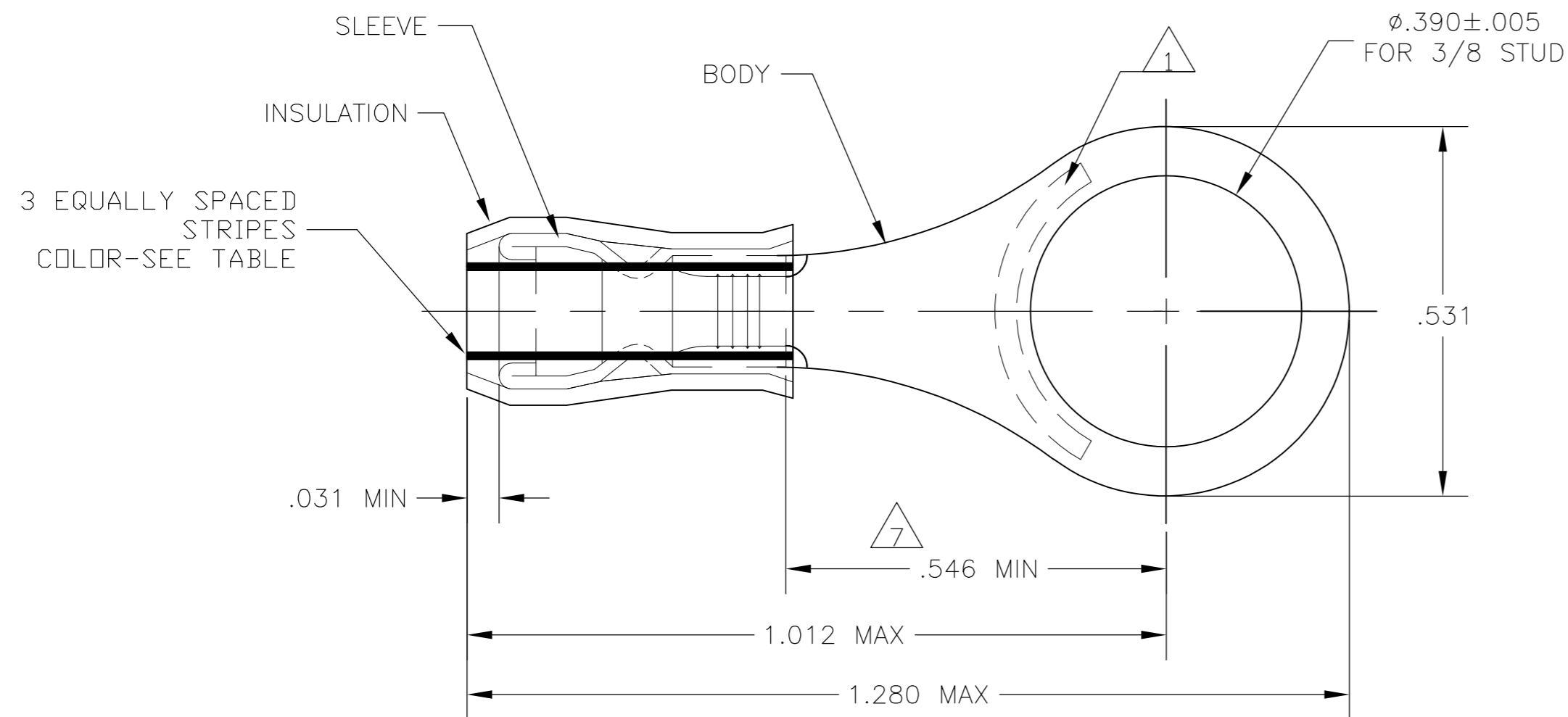
LOC	DIST	REVISIONS					
		P	LTR	DESCRIPTION	DATE	DWN	APVD
G	14		M2	REVISED PER ECO-11-004917	11MAR11	RK	HMR

AMP WIRE RANGE	E13288 Listed	LR7189 Certified
16-14 AWG SOLID OR STRANDED	16-14 AWG SOLID OR STRANDED	16-14 AWG SOLID OR STRANDED



- 1 STAMP "AMP - SEE TABLE" APPROX AS SHOWN
- 2 WIRE INSULATION DIA: SEE TABLE
- 3 TONGUE MATERIAL THK: .031±.002
- 4 BODY: TIN PLATE .000100 MIN EXT THK PER ASTM B545
- 5 SLEEVE: TIN PLATE .000100 MIN EXT THK PER ASTM B545
- 6 BODY & SLEEVE- CU PER ASTM B152 INSULATION - NYLON PER ASTM D4066 COLOR - BLUE
- 7 APPLIES FROM EDGE OF METAL WIRE BARREL TO CENTER OF STUD HOLE.
- 8 MEETS MS25036-110, CLASS 1 & 2
- 9 MEETS M7928/1-45, CLASS 1 & 2
- 10 MEETS M7928/1-54, CLASS 1 & 2

STYLE A



STYLE B
INSULATION RESTRICTING

QTY	PACKAGE TYPE	STAMPING	WIRE INSUL DIA	WIRE SIZE	STRIPE COLOR	STYLE	BODY FINISH	SLEEVE FINISH	PART NO
100	LOOSE PIECE, BOX	16-14	.105-.150	16-14	--	A			8-320564-1
500	320564 ON TAPE	16-14	.105-.150	16-14	--	A	4	5	2-320564-3
500	LOOSE PIECE	14	.078-.130	14	GREEN	B			10 2-320564-2
500	LOOSE PIECE	16	.063-.130	16	BLUE	B			9 2-320564-1
500	LOOSE PIECE	16-14	.105-.150	16-14	--	A			8 320564

CUSTOMER SERVICE SYSTEMS		MAX RECOMMENDED OPERATING TEMPERATURE: 105°C MAX	THIS DRAWING IS A CONTROLLED DOCUMENT.		DWN JR RUTH 13JAN10	TE Connectivity		
FOR ADDITIONAL PRODUCT INFORMATION OR COPIES OF DRAWINGS AND TECHNICAL DOCUMENTS	PRODUCT INFORMATION CENTER 1-800-522-6752	VOLTAGE RATING: 300 VOLT MAX	DIMENSIONS: INCHES	TOLERANCES UNLESS OTHERWISE SPECIFIED: 0 PLC ± - 1 PLC ± - 2 PLC ± - 3 PLC ± .008 4 PLC ± - ANGLES ± -	CHK T MICHIELUTTI 13JAN10	NAME TERMINAL, RING TONGUE, PIDG WIRE SIZE: 16-14 AWG		
FOR APPLICATION TOOLING INFORMATION	TOOLING ASSISTANCE CENTER 1-800-722-1111	CIRCULAR MIL AREA: 1.04-2.62mm² [2,050-5,180] STRANDED OR SOLID		MATERIAL	APVD T MICHIELUTTI 13JAN10	APPLICATION SPEC	SIZE A2	
FOR ORDER ENTRY	1-800-526-5142	THIS DRAWING IS A CONTROLLED DOCUMENT FOR AMP INCORPORATED. IT IS SUBJECT TO CHANGE AND THE CONTROLLING ENGINEERING ORGANIZATION SHOULD BE CONTACTED FOR THE LATEST REVISION.		FINISH	WEIGHT	CAGE CODE 00779	DRAWING NO C-320564	
				6	CUSTOMER DRAWING	SCALE 5:1	SHEET 1 of 1	REV M2