

Distributed by:

JAMECO[®]
ELECTRONICS

www.Jameco.com ♦ 1-800-831-4242

The content and copyrights of the attached
material are the property of its owner.

Jameco Part Number 527224

AWING MADE IN THIRD ANGLE PROJECTION

3

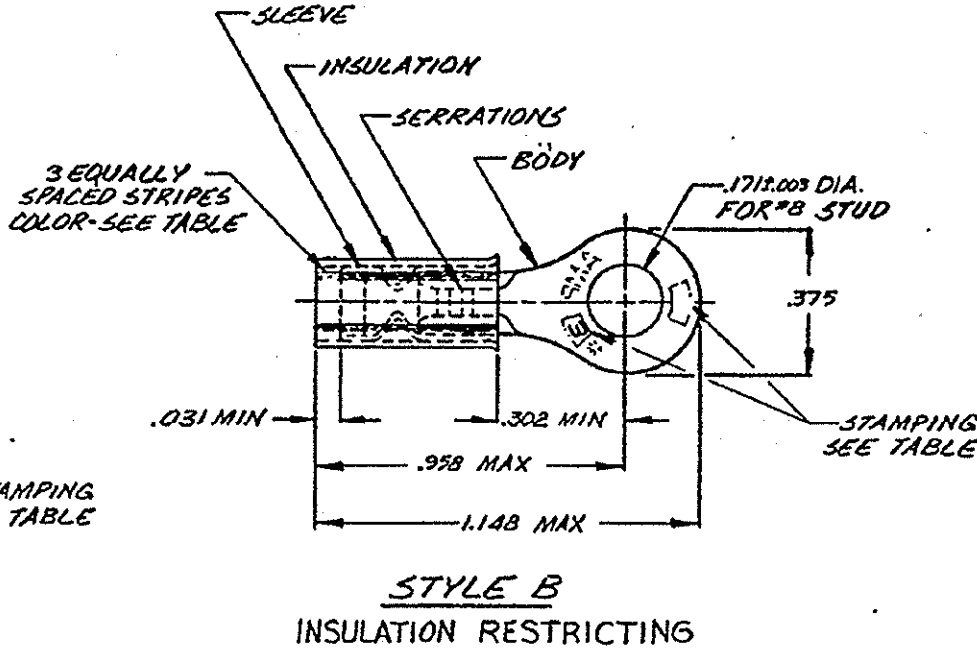
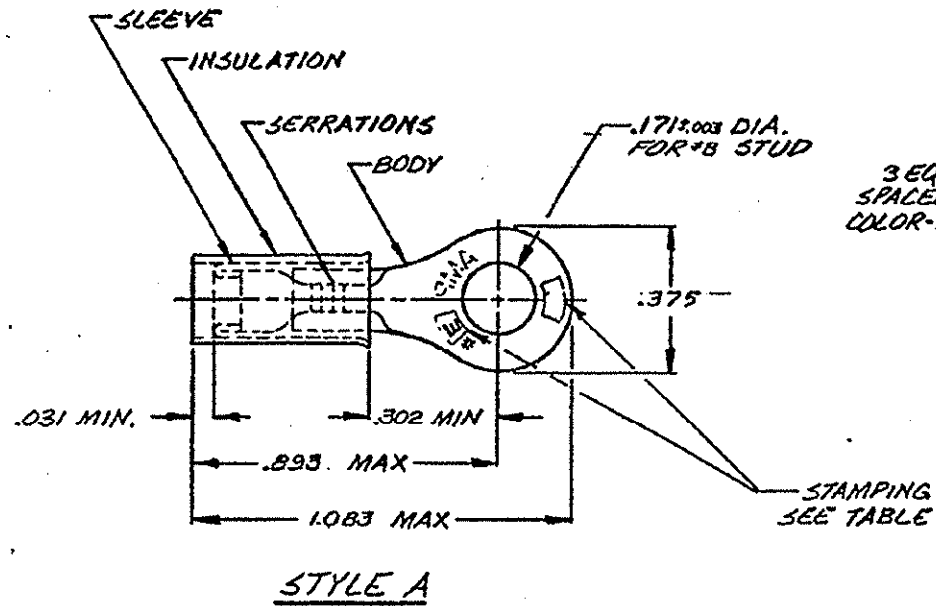
2

1

LOC DIST
G 14

THIS DRAWING IS UNPUBLISHED. RELEASED FOR PUBLICATION
 © COPYRIGHT 19 BY AMP INCORPORATED, HARRISBURG, PA. ALL INTERNATIONAL RIGHTS RESERVED. AMP PRODUCTS MAY BE COVERED BY U.S. AND FOREIGN PATENTS AND/OR PATENTS PENDING.

REVISIONS				DATE	APPROVED
P	F	ZONE	LTR	DESCRIPTION	
✓			M	REVISED & REDRAWN PER G-1423 E P85-0292, WAS SIZE B	1/16/86 <i>Pjm</i>
✓			N	OBSOLETE 2-G PER G-3393	2/10/87 <i>GS</i>
			P	REV/0720-0060-93	3-31-83 <i>TO Yme</i>
			R	REMOVE SHIP SIZE / 0720-0542-95	3-8-85 <i>LO/mc</i>
			S	REV / 0720-0950-96	6-26-86 <i>ME/TM</i>
			T	REV PER 063A-0206-05	11/18/86 <i>ME/TM</i>
			T1	REV PER 05-004864	06/05/87 <i>me</i>



- 1 TONGUE MATERIAL THK. - .040 ± .002
- 2 TIN PL. MIL-T-10727
- 3 NICKEL PL QQ-N-290
- 4 SUPERSEDED BY 2-320568-2
- 5 SUPERSEDED BY 2-320568-3
- 6 PRELIMINARY - NOT FOR PRODUCTION

PART NO	PACKAGE TYPE	QTY	STYLE	E	F	WIRE INS. DIA	STRIPE COLOR	PART NO. ON TAPE
2-320568-7	SMALL REEL	900	A	12-10	-	.150-.230	-	2-320568-7
9-320568-2	LOOSE PC, BOX	50	B	10	-	.119-.200	BROWN	9-320568-2
8-320568-2	LOOSE PC, BOX	50	-	12	-	.095-.200	YELLOW	8-320568-2
7-320568-2	LOOSE PC, BOX	50	A	12-10	-	.150-.230	-	7-320568-2
2-320568-6	ON TAPE, 16 BOX	500	A	12-10	-	.150-.230	-	2-320568-6
2-320568-3	LOOSE PIECE	-	B	10	-	.119-.200	BROWN	2-320568-3
2-320568-2	LOOSE PIECE	-	B	12	-	.095-.200	YELLOW	2-320568-2
2-320568-1	ON TAPE, REEL	2500	A	12-10	-	.150-.230	-	2-320568-1
320568	LOOSE PIECE	-	A	12-10	-	.150-.230	-	320568

WIRE SIZE	BODY FINISH	SLEEVE FINISH	MATERIAL	PART NO
12-10		2		2-320568-7
10		Δ		9-320568-2
12		Δ		8-320568-2
12-10		Δ		7-320568-2
12-10		Δ		2-320568-6
10		Δ		2-320568-3
12		Δ		2-320568-2
12-10		Δ		2-320568-1
12-10		Δ		320568

UNLESS OTHERWISE SPECIFIED DIMENSIONS ARE IN INCHES
 TOLERANCES ON:
 DECIMALS ±.008
 ANGLES ±.008

CONTRACT NO
 OR 11-6-85
 P. Fortney / RFB-UTA
 CHK P. Muty already 1/6/86
 APPD Olan loan tran 01/01/86
 APPD

MATERIAL
 SEE TABLE

FINISH
 SEE TABLE

AMP | AMP INCORPORATED
 Harrisburg, Pa. 17105

NAME
TERMINAL, PIDG, RING

SIZE: C
 FSCM NO: 00779
 DRAWING NO: 320568

SCALE: NTS
 SHEET: -