

Distributed by:

**JAMECO**<sup>®</sup>  
ELECTRONICS

**www.Jameco.com ♦ 1-800-831-4242**

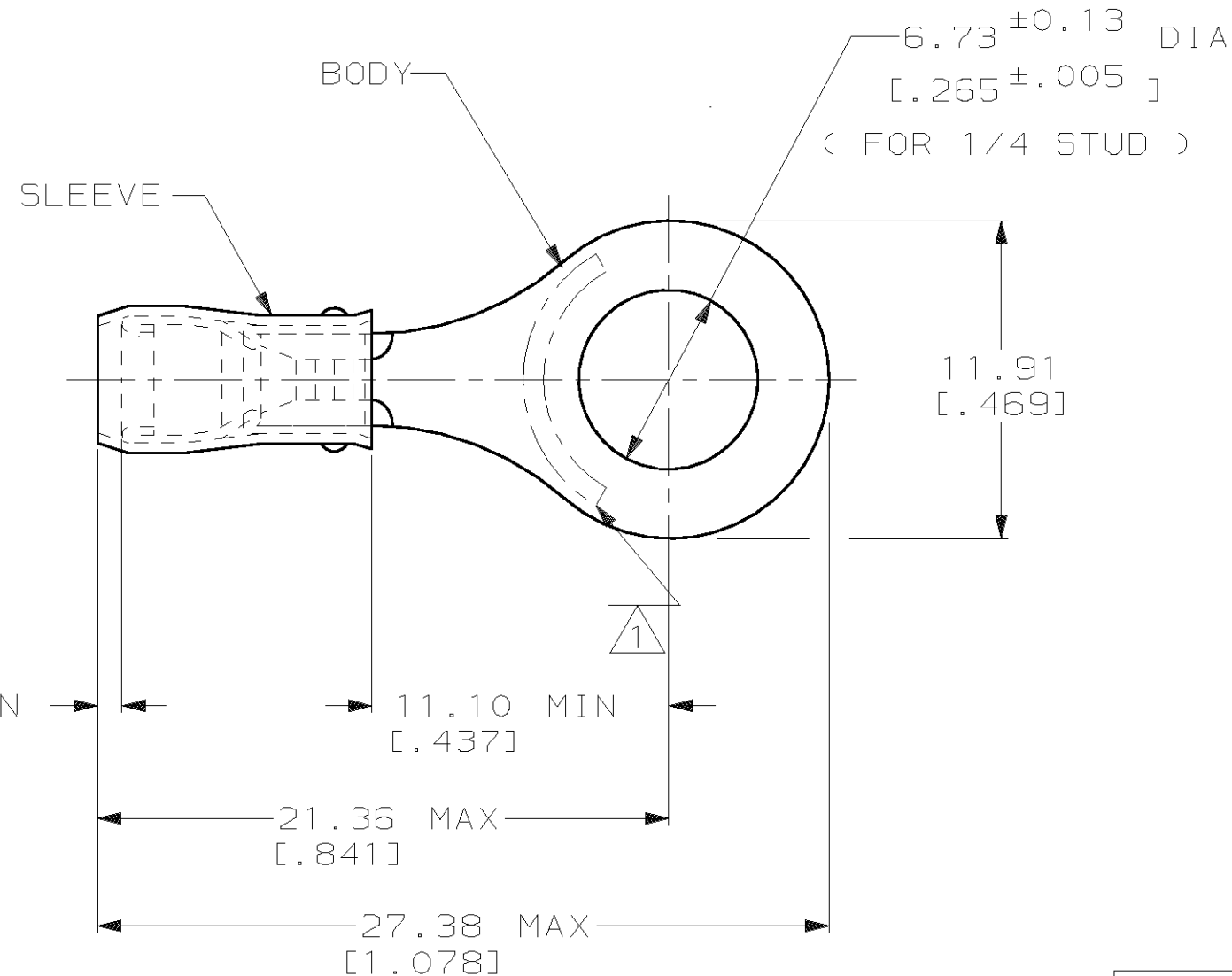
The content and copyrights of the attached  
material are the property of its owner.

Jameco Part Number 842283

THIS DRAWING IS UNPUBLISHED. RELEASED FOR PUBLICATION, 19  
 © COPYRIGHT 19 BY AMP INCORPORATED. ALL INTERNATIONAL RIGHTS RESERVED.

| LOC | DIST | P | F | REVISIONS |     |                      |         |       |
|-----|------|---|---|-----------|-----|----------------------|---------|-------|
| G   | 14   |   |   | ZONE      | LTR | DESCRIPTION          | DATE    | APPD  |
|     |      |   |   | AA        |     | REV PER OG3A-0013-01 | 20FEB01 | JR/TM |

|                                |                                |                                |
|--------------------------------|--------------------------------|--------------------------------|
| <b>AMP</b><br>WIRE RANGE       | <b>UL</b> E13288<br>Listed     | <b>SR</b> LR7189<br>Certified  |
| 22-16 AWG<br>SOLID OR STRANDED | 22-16 AWG<br>SOLID OR STRANDED | 22-16 AWG<br>SOLID OR STRANDED |



- 1 STAMP AMP 22-18\* APPROX AS SHOWN  
22-16 TERMINALS ARE STAMPED 22-18 IN  
ACCORDANCE WITH MILITARY SPEC MIL-T-7928  
COMMERCIAL WIRE RANGE IS 22-16
- 2 WIRE INSULATION DIA: 2.03 - 3.18  
[.080 - .125]
- 3 TONGUE MATERIAL THK: 0.79±0.05  
[.031±.002]

| -   | 100  | LOOSE PIECE, BOX  | 8-320571-1 |
|---|--|---|------------|
| MS25036-150<br>CLASS 2  | 5000   | ON TAPE, REEL   | 2-320571-2 |
| MS25036-150<br>CLASS 1 & 2  | 1000   | LOOSE PIECE   | 320571     |
| MILITARY P/N AND CLASS  | QUANTITY   | PACKAGE TYPE  | PART NO    |
| DO NOT SCALE PRINT.<br>UNLESS SPECIFIED<br>DIMENSIONS IN mm [INCHES]<br>TOLERANCES ON:<br>2 PLC DEC ± 0.20[.008]<br>3 PLC DEC ± -<br>ANGLES ± - | DR 9/8/93<br>DK SCHRUM<br>CHK 9/8/93<br>RE HERSEY<br>APPD 9/8/93<br>ML ELLIS<br>APPD 9/8/93<br>M BARNABA<br>PRODUCT SPEC<br>UL 486A<br>APPLICATION SPEC<br>NOT AVAILABLE<br>WEIGHT -   | <b>AMP</b> AMP Incorporated<br>Harrisburg, PA 17105-3608<br>NAME<br>TERMINAL, RING TONGUE, PIDG™,<br>WIRE SIZE: 22-16 AWG<br>SIZE B CAGE CODE 00779 DRAWING NO C-320571<br>SCALE NTS SHEET 1 OF 2 |            |
| MAX RECOMMENDED OPERATING TEMPERATURE:<br>105°C MAX   | MATERIAL<br>COPPER PER ASTM B-152<br>SLEEVE, RED NYLON   |   |            |
| VOLTAGE RATING:<br>300 V MAX  | FINISH<br>TIN PLATE<br>PER ASTM B545   |   |            |
| CIRCULAR MIL AREA:<br>0.26-1.65mm <sup>2</sup> [509-3,260] CIR MILS<br>SOLID OR STRANDED  | THIS DRAWING IS A CONTROLLED DOCUMENT FOR<br>AMP INCORPORATED. IT IS SUBJECT TO CHANGE<br>AND THE CONTROLLING ENGINEERING ORGANIZATION<br>SHOULD BE CONTACTED FOR THE LATEST REVISION. |   |            |

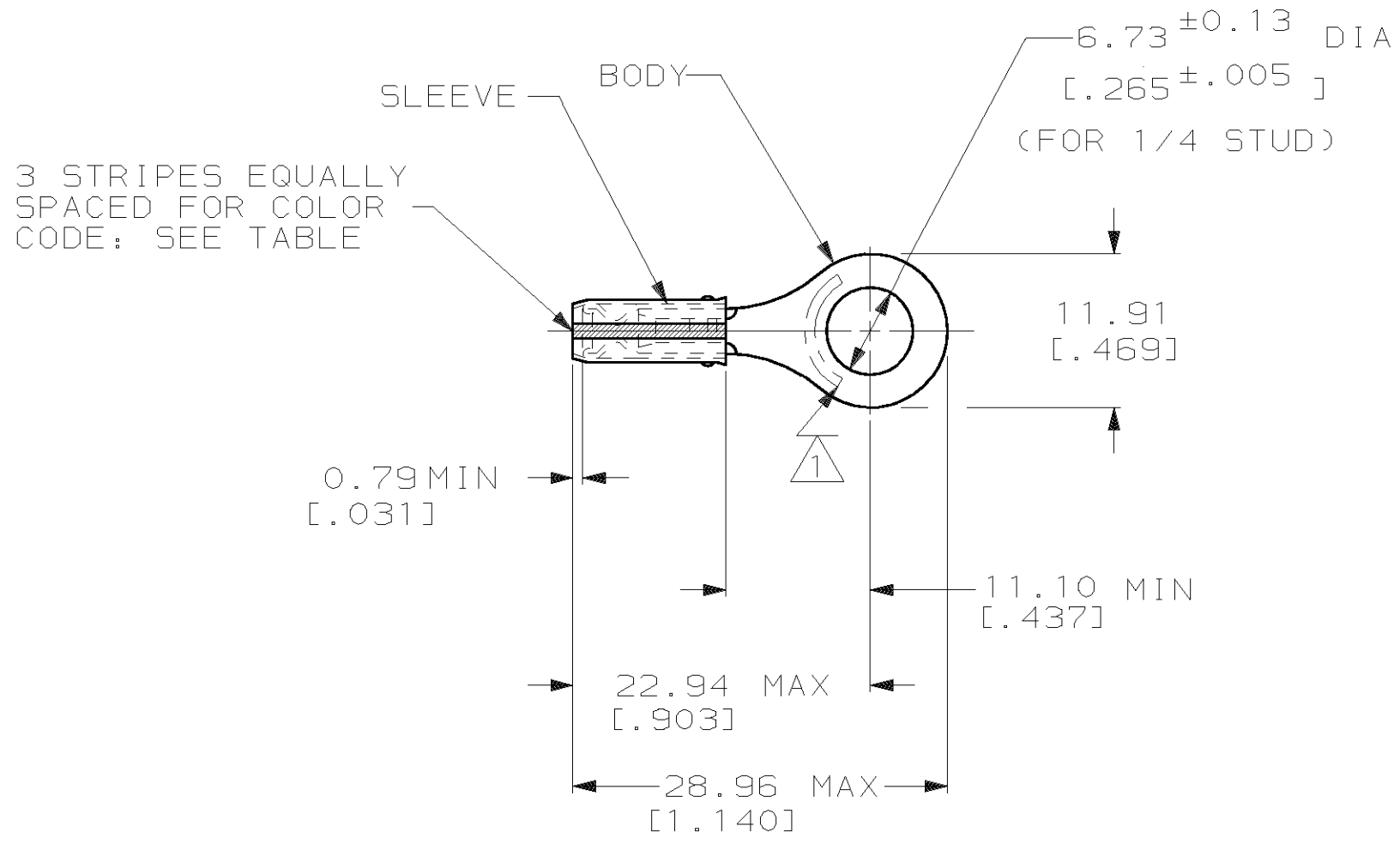
**AMP INCORPORATED  
CUSTOMER SERVICE SYSTEMS**

|   |  |
|---|--|
| FOR ADDITIONAL<br>PRODUCT INFORMATION OR<br>COPIES OF DRAWINGS<br>AND TECHNICAL DOCUMENTS | PRODUCT INFORMATION CENTER<br>1-800-522-6752 |
| FOR APPLICATION<br>TOOLING INFORMATION  | TOOLING ASSISTANCE CENTER<br>1-800-722-1111  |
| FOR ORDER ENTRY   | 1-800-526-5142                               |

THIS DRAWING IS UNPUBLISHED. RELEASED FOR PUBLICATION, 19 .  
 © COPYRIGHT 19 BY AMP INCORPORATED. ALL INTERNATIONAL RIGHTS RESERVED.

| LOC | DIST | P | F | REVISIONS |     |                      |         |       |
|-----|------|---|---|-----------|-----|----------------------|---------|-------|
| G   | 14   |   |   | ZONE      | LTR | DESCRIPTION          | DATE    | APPD  |
|     |      |   |   |           | AA  | REV PER OG3A-0013-01 | 20FEB01 | JR/TM |

**AMP**  
WIRE RANGE  
SEE TABLE  
STRANDED



- 1 STAMP AMP APPROX AS SHOWN SEE TABLE BELOW
- 2 WIRE INSULATION DIA: 0.97 - 2.79 FOR 22 AWG [.038 - .110]  
1.17 - 2.79 FOR 20 AWG [.046 - .110]  
1.42 - 2.79 FOR 18 AWG [.056 - .110]
- 3 TONGUE MATERIAL THK: 0.79±0.05 [.031±.002]
- 4 PRELIMINARY - NOT FOR PRODUCTION

|                        |       |     |    |      |             |            |
|------------------------|-------|-----|----|------|-------------|------------|
| -                      | WHITE | 18* | 18 | 5000 | ON TAPE     | 2-320571-8 |
| M7928/1-34 CLASS 1 & 2 | WHITE | 18* | 18 | 1000 | LOOSE PIECE | 2-320571-5 |
| M7928/1-25 CLASS 1 & 2 | RED   | 20* | 20 | 1000 | LOOSE PIECE | 2-320571-4 |
| M7928/1-16 CLASS 1 & 2 | GREEN | 22* | 22 | 1000 | LOOSE PIECE | 2-320571-3 |

**AMP INCORPORATED**  
**CUSTOMER SERVICE SYSTEMS**

FOR ADDITIONAL PRODUCT INFORMATION OR COPIES OF DRAWINGS AND TECHNICAL DOCUMENTS: PRODUCT INFORMATION CENTER 1-800-522-6752

FOR APPLICATION: TOOLING ASSISTANCE CENTER 1-800-722-1111

TOOLING INFORMATION: 1-800-722-1111

FOR ORDER ENTRY: 1-800-526-5142

MAX RECOMMENDED OPERATING TEMPERATURE: 105°C MAX

VOLTAGE RATING: 300 V MAX

WIRE RANGE: CIRC MIL AREA:  
 22 0.38mm<sup>2</sup> [754]  
 20 0.60mm<sup>2</sup> [1,186]  
 18 0.96mm<sup>2</sup> [1,900]

STRANDED

THIS DRAWING IS A CONTROLLED DOCUMENT FOR AMP INCORPORATED. IT IS SUBJECT TO CHANGE AND THE CONTROLLING ENGINEERING ORGANIZATION SHOULD BE CONTACTED FOR THE LATEST REVISION.

MILITARY P/N AND CLASS: -

STRIPE COLOR: -

STAMPING: 1

WIRE SIZE: -

QUANTITY: -

PACKAGE TYPE: -

PART NO: -

DO NOT SCALE PRINT. UNLESS SPECIFIED DIMENSIONS IN mm [INCHES] TOLERANCES ON:  
 2 PLC DEC ± 0.20[.008]  
 3 PLC DEC ± -  
 ANGLES ± -

MATERIAL: COPPER PER ASTM B-152 SLEEVE, RED NYLON

FINISH: TIN PLATE PER ASTM B545

DR 9/8/93 DK SCHRUM  
 CHK 9/8/93 RE HERSEY  
 APPD 9/8/93 ML ELLIS  
 APPD 9/8/93 M BARNABA  
 PRODUCT SPEC -  
 APPLICATION SPEC NOT AVAILABLE  
 WEIGHT -

**AMP** AMP Incorporated  
Harrisburg, PA 17105-3608

NAME: TERMINAL, RING TONGUE, I.R., PIDG™, WIRE SIZE: 22-16 AWG

SIZE: B CAGE CODE: 00779 DRAWING NO: C-320571

SCALE: NTS SHEET: 2 OF 2