

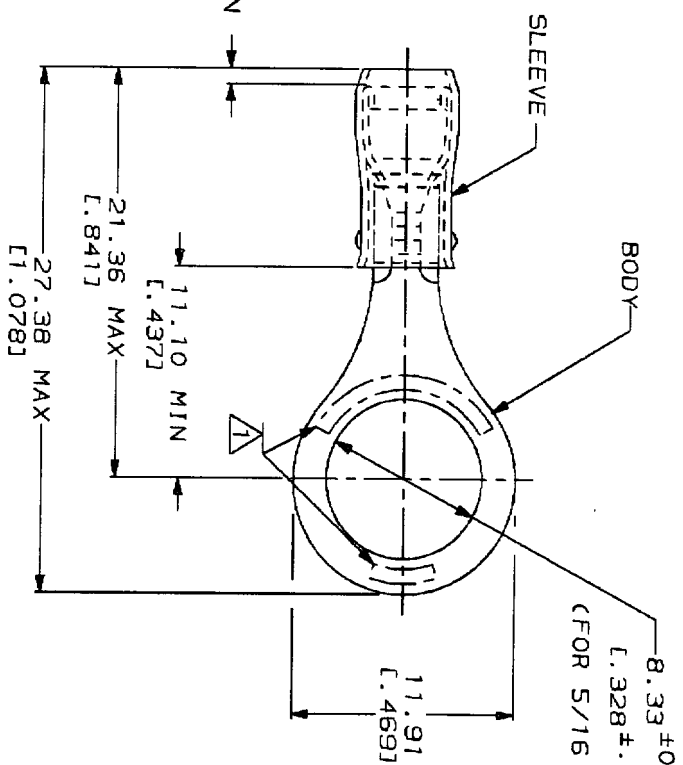
THIS DRAWING IS UNPUBLISHED. RELEASED FOR PUBLICATION BY AMP INCORPORATED. ALL INTERNATIONAL RIGHTS RESERVED.

LOC 6 DIST 14 P F ZONE LTR REV / 0720-0546-95 DATE 25MAY85

REVISONS DESCRIPTION DATE

FEC 586-687

320572



AMP WIRE RANGE	ET328B Listed	LR7189 Certified
22-16 AWG SOLID OR STRANDED	22-16 AWG SOLID OR STRANDED	22-16 AWG SOLID OR STRANDED

STAMP AMP 22-18* 1-2 APPROX AS SHOWN
 22-16 TERMINALS ARE STAMPED 22-18 IN
 ACCORDANCE WITH MILITARY SPEC MIL-T-7928
 COMMERCIAL WIRE RANGE IS 22-16
 2 WIRE INSULATION DIA: 2.67 - 3.56 [L.105 - .140]
 3 TONGUE MATERIAL THK: 0.79±0.05 [L.031±.002]

AMP INCORPORATED
 CUSTOMER SERVICE SYSTEMS

FOR ADDITIONAL PRODUCT INFORMATION OR COPIES OF DRAWINGS AND TECHNICAL DOCUMENTS	PRODUCT INFORMATION CENTER 1-800-522-6752	VOLTAGE RATING: 300 V MAX	MAX RECOMMENDED OPERATING TEMPERATURE: 105°C MAX
FOR APPLICATION	TOOLING ASSISTANCE CENTER 1-800-722-1111	CIRCULAR MIL AREA: 0.26-1.65mm ² (509-3,260) CIR MILS	SOLID OR STRANDED
FOR ORDER ENTRY	1-800-526-5142	THIS DRAWING IS A CONTROLLED DOCUMENT FOR AMP. ANY REVISIONS OR CHANGES TO THIS DRAWING SHOULD BE CONTACTED FOR THE LATEST REVISION.	

AMP 140-15 REV 3-82 23 MAR 1995 13:00:14 AMP10398 <UJ128A>DEPT1132>U.DWG1132>U.RBY>U.P106>U.CU5T

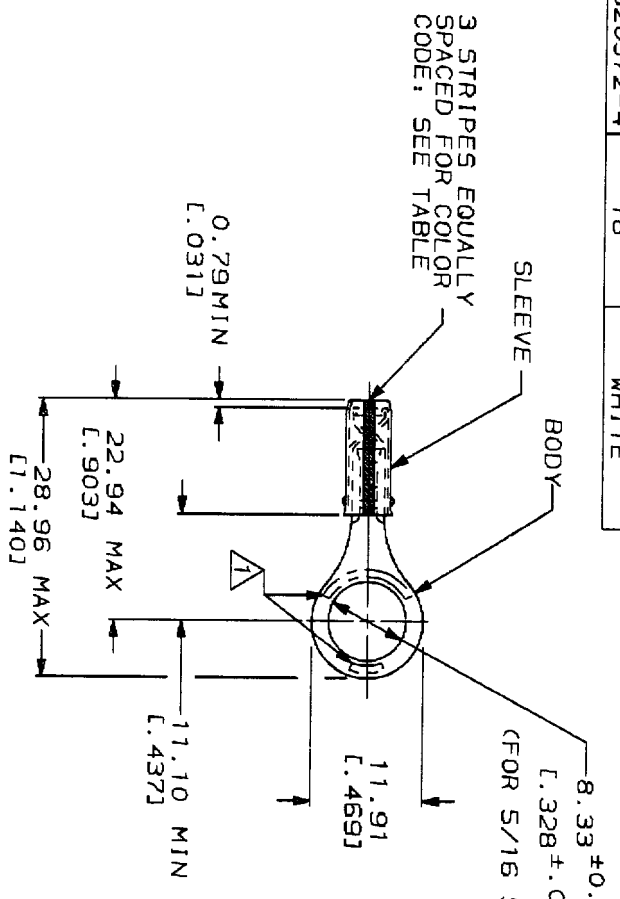
DO NOT SCALE PRINT. DIMENSIONS IN INCHES) 3 P.L.C. DEC 3 0.201.0881 ANGLES	MILITARY P/N AND CLASS	QUANTITY	PACKAGE TYPE	PART NO
NS35036-104 CLASS 2 NS35036-104 CLASS 1 & 2		100	LOOSE PIECE, BOX	8-320572-1
		5000	ON TAPE, REEL	2-320572-1
		1000	LOOSE PIECE	320572
MATERIAL: COPPER PER ASTM B-152 NYLON, COLOR: RED	DR / IR SCHEM	DR	AMP	AMP Incorporated Harrisburg, PA 17105-3608
FINISH: TIN PLATE PER MIL-T-10727	APPD: 8/6/83	APPD: 8/6/83	APPD: 8/6/83	NAME: TERMINAL, RING TONGUE, P. I. D. G., WIRE SIZE, 22-16 AWG
	WEIGHT: -	NOT AVAILABLE	SCALE: B	SIZE: 00779
			SCALE: NTS	DRAWING NO: 320572
				SHEET: 1 OF 2

CUSTOMER DRAWING

THIS DRAWING IS UNPUBLISHED. RELEASED FOR PUBLICATION '19

© COPYRIGHT 19 BY AMP INCORPORATED. ALL INTERNATIONAL RIGHTS RESERVED.

PART NO	WIRE SIZE	STRIPE COLOR
2-320572-2	22	GREEN
2-320572-3	20	RED
2-320572-4	18	WHITE



STAMP AMP APPROX AS SHOWN
SEE TABLE BELOW

2 WIRE INSULATION DIA: 0.97 - 2.79 FOR 22 AWG
L.038 - .110J
1.17 - 2.79 FOR 20 AWG
L.046 - .110J
1.42 - 2.79 FOR 18 AWG
L.056 - .110J

3 TONGUE MATERIAL THK: 0.79±0.05
L.031±.002J

**AMP INCORPORATED
CUSTOMER SERVICE SYSTEMS**

FOR ADDITIONAL PRODUCT INFORMATION OR COPIES OF DRAWINGS AND TECHNICAL DOCUMENTS: 1-800-522-6752

FOR APPLICATION TOOLING ASSISTANCE CENTER: 1-900-722-1111

FOR ORDER ENTRY: 1-800-526-5142

MAX RECOMMENDED OPERATING TEMPERATURE: 105°C MAX

VOLTAGE RATING: 300 V MAX

WIRE RANGE: 22, 20, 18

CIRC HIL AREA: 0.39mm² (754J), 0.60mm² (1,186J), 0.96mm² (1,900J)

SOLID OR STRANDED

DO NOT SCALE PRINT. DIMENSIONS SPECIFIED IN (INCHES) UNLESS OTHERWISE NOTED. TOLERANCES ON DIMENSIONS: 3 PLG DEC 3, 0.201 (0.008) ANGLES 3

FINISH	TIN PLATE PER MIL-T-10727
MATERIAL: COPPER PER ASTM B-152 NYLON, COLOR: RED	
APPLICATION SPEC: 108-1034	
NOT AVAILABLE	

18* 1	CLASS 1 & 2	1000	LOOSE PIECE	2-320572-4
20* 2	CLASS 1 & 2	1000	LOOSE PIECE	2-320572-3
22* 1/2	CLASS 1 & 2	1000	LOOSE PIECE	2-320572-2

DR: DR SCHWAB
CHK: DR SCHWAB
APPD: DR SCHWAB
MATERIAL: NYLON
PRODUCT SPEC: 108-1034

NAME: AMP
AMP Incorporated
Harrodsburg, PA 17105-3608

TERMINAL, RING TONGUE, J.R., P.I.D.G., WIRE SIZE: 22-16 AWG

SCALE: B SIZE: 00779 DRAWING NO: C-320572 SHEET: 2 OF 2

AMP 1400-15 REV 3-92 23 MAR 1995 13:13:45 AMP10398 <UJ128A>DEPT1132>U.DM61132>U.RB1Y>U.PI06>U.C05T

THIS DRAWING IS A CONTROLLED DOCUMENT FOR AMP INCORPORATED. IT IS SUBJECT TO CHANGE AND SHOULD BE CONTACTED FOR THE LATEST REVISION.

CUSTOMER DRAWING

LOC	DIST	P	ZONE	LTR	REV /	DESCRIPTION	DATE	APPR
G	14				0720-0546-95			