

Distributed by:

JAMECO[®]
ELECTRONICS

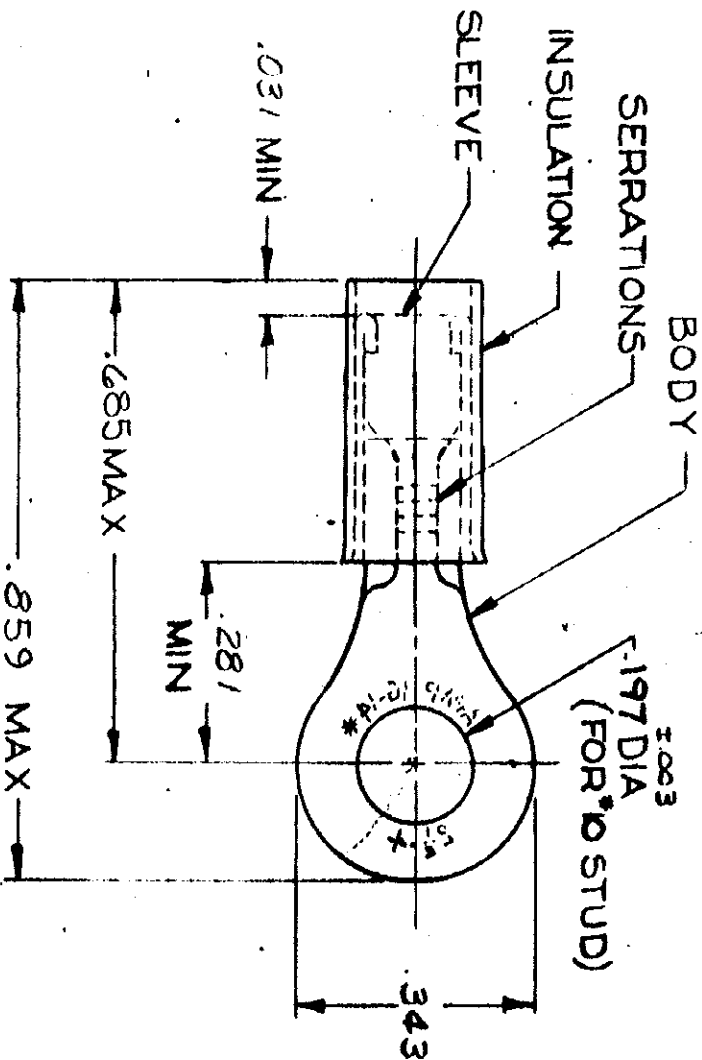
www.Jameco.com ♦ 1-800-831-4242

The content and copyrights of the attached
material are the property of its owner.

Jameco Part Number 842339

©1968 BY AMP INCORPORATED. ALL RIGHTS RESERVED. AMP PRODUCTS COVERED BY PATENTS AND/OR PATENTS PENDING.

REVISIONS		DATE	APPROVED
LTR	DESCRIPTION		
C	REDRAWN & UPDATED	3-27-69	RMW
D	REVISED	4-1-70	PCY
E	REVISED F.621	3-28-78	RMW
F	REV/0720-0060-93	3-31-93	TO/ML



FOR .105 TO .150 WIRE INSULATION DIA.
TONGUE MATERIAL THK. = .031 ±.002

NOTE:
L STAMPING MAY BE ON TOP OR BOTTOM.

100 LOOSE PC. BOX	8-320574-1		
1	320574 ON TAPE	2-320574-2	BODY & SLEEVE: COPPER (QQ-C-576) TIN PL (MIL-T-10727)
1	WIRE TERMINAL	320574	INSULATION: BLUE NYLON (MIL-M-20693) TYPE I
QTY	DESCRIPTION	PART NO.	MATERIAL & FINISH
UNLESS OTHERWISE SPECIFIED DIMENSIONS ARE IN INCHES. TOLERANCES ON: DECIMALS ±.008 ANGLES ±.5°			
MATERIAL		SEE TABLE	
CONTRACT NO.		AMP INCORPORATED HARRISBURG, PENNSYLVANIA	
DR. <i>Wm Engman</i>		NAME	
DATE <i>3-27-69</i>		AMP WIRE TERMINAL	
CHK. <i>W. J. ...</i>		P.I.D.G-RING TONGUE	
APPD. <i>Burwell</i>		WIRE SIZE: 16-14	
REL. <i>5/11/69</i>		SIZE CODE IDENT NO.	
DSGN APPD.		NUMBER	
OTHER APPD.		A 00779 320574	
SCREENS		SHEET 1 OF 1	