

32059 Product Details

[Share](#) [Print](#) [Email](#)




32059

TE Internal Number: 32059

 **Active**

 [View 3D PDF](#)

Ring and Spade Tongue Terminals

 **Always EU RoHS/ELV Compliant**
(Statement of Compliance)

Product Highlights:

- Terminal Shape = Spade Tongue
- Receptacle Style = Straight
- Body Style = PIDG
- Barrel Type = Closed Barrel
- Wire/Cable Type = Regular Wire

[View all Features](#)

Quick Links

- ▶ [Pricing & Availability](#)
- ▶ [Search for Tooling](#)
- ▶ [Product Feature Selector](#)
- ▶ [Contact Us About This Product](#)

[Add to My Part List](#)

[Request Sample](#)

[Find Similar Products](#)

[Buy Product](#)

Documentation & Additional Information

Product Drawings:

- [wire terminal pidg spade](#) (PDF, English)

Catalog Pages/Data Sheets:

- None Available

Product Specifications:

- None Available

Application Specifications:

- [Pre-Insulated Diamond Grip \(PIDG\) Terminals, Splices...](#) (PDF, English)

Instruction Sheets:

- None Available

CAD Files: (CAD Format & Compression Information)

- [2D Drawing](#) (DXF, Version C)
- [3D Model](#) (IGES, Version C)
- [3D Model](#) (STEP, Version C)

[List all Documents](#)

Related Products:

- [Tooling](#)

Product Features (Please use the Product Drawing for all design activity)

Product Type Features:

- [Receptacle Style](#) = Straight
- [Barrel Type](#) = Closed Barrel
- [Wire/Cable Type](#) = Regular Wire
- [Insulation](#) = Yes
- [Insulation Support](#) = Insulation Support
- Stud Size = 8 [M4]
- [Shape](#) = SPADE-020
- [Heavy Duty](#) = No
- [Finish](#) = Tin
- Color = Blue

Electrical Characteristics:

- Voltage (VAC) = 300

Termination Features:

- Wire/Cable Size (CMA) = 2,050 – 5,180

Body Features:

- [Body Style](#) = PIDG
- [Wire Range \(mm \[AWG\]\)](#) = 1.25-2.00² [16-14]
- [Material](#) = Copper
- Insulation Material = Nylon

Contact Features:

- [Terminal Shape](#) = Spade Tongue

Industry Standards:

- Government/Industry Qualification = No
- [RoHS/ELV Compliance](#) = RoHS compliant, ELV compliant
- [Lead Free Solder Processes](#) = Not relevant for lead free process
- RoHS/ELV Compliance History = Always was RoHS compliant

Packaging Features:

Dimensions:

- Insulation Diameter (mm [in]) = 4.32 [.170] Max.
- Stud Diameter (mm [in]) = 4.17 [0.164]
- Tongue Material Thickness (mm [in]) = 0.84 [0.033]

- Packaging Method = Loose Piece/Bulk

Other:

- Brand = AMP

Corporate Information

[About TE](#)
[Investors](#)
[News Room](#)
[Supplier Portal](#)
[Careers](#)
[Terms & Conditions](#)
[Privacy Policy](#)

Quick Links

[Distributor Inventory](#)
[Product Cross Reference](#)
[Documents & Drawings](#)
[Product Compliance Support Center](#)
[Site Map](#)

Customer Support

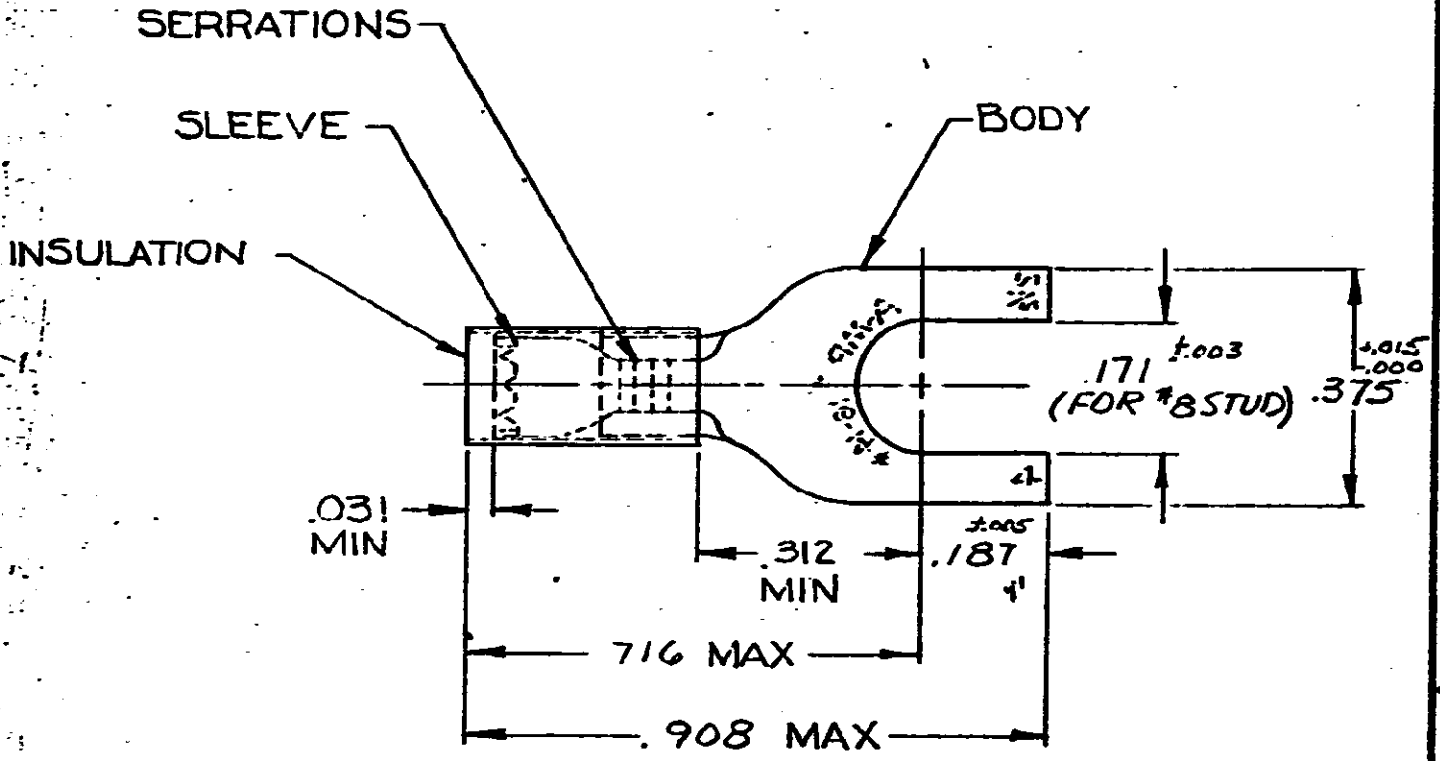
[Email or Chat With Us](#)
[Find a Phone Number](#)
[Knowledge Base](#)
[Manage Your Account](#)

Keep Me Informed

DRAWING MADE IN AMERICAN PROJECTION

LOC 5 14 PRINT-CAST

| REVISIONS | | | |
|-----------|---------------------------|---------|----------|
| LTR | DESCRIPTION | DATE | APPROVED |
| C1 | REVISED PER ECO-11-005294 | 13APR11 | HMR |



TONGUE MATERIAL THK = .031^{±.002}
 FOR .115 TO .170 WIRE INSULATION DIA

| QTY | DESCRIPTION | PART NO |
|-----|---------------|-----------|
| 100 | LOOSE PC, BOX | 8-32059-1 |

| | | | |
|---|---------------|-----------|---|
| 1 | 32059 ON TAPE | 2-32059-1 | BODY: COPPER (QQ-C-576) TIN PL (MIL-T-10727) |
| 1 | WIRE TERMINAL | 32059 | SLEEVE: COPPER (QQ-C-576) INSULATION: NYLON COLOR: BLUE |
| QTY | DESCRIPTION | PART NO | MATERIAL & FINISH |
| UNLESS OTHERWISE SPECIFIED DIMENSIONS ARE IN INCHES TOLERANCES ON: DECIMALS ±.008 ANGLES ±5° | | | |
| CONTRACT NO. # | | | |
| DR. <i>M. E. Enomoto</i> 2-12-70 | | | |
| CHK. <i>R. C. Humphreys</i> 3-16-70 | | | |
| APPD. <i>L. W. White</i> 3-16-70 | | | |
| REL. <i>R. C. Humphreys</i> 3-17-70 | | | NAME WIRE TERMINAL P.I.D.G. - SPADE WIRE SIZE: 16-14 |
| MATERIAL SEE TABLE | | | SIZE A |
| OTHER APPD. | | | CODE IDENT NO. 00779 |
| | | | NUMBER 32059 |
| | | | SCALE NTS |
| | | | SHEET 1 OF 1 |

CUSTOMER-DRAWING