

Distributed by:



www.Jameco.com ♦ 1-800-831-4242

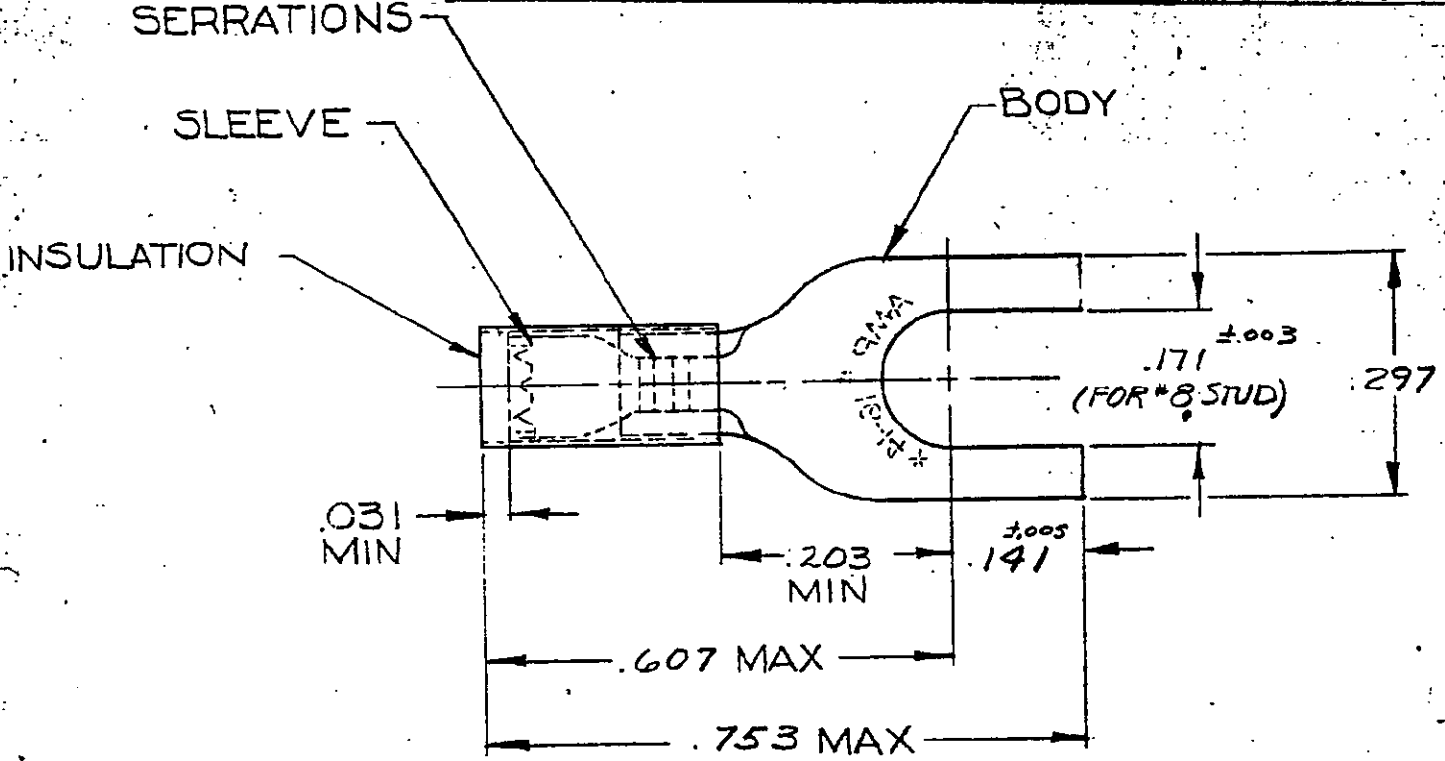
The content and copyrights of the attached material are the property of its owner.

DRAWING MADE IN AMERICAN PROJECTION

LOG G 14 PRINT LIST

© 1957 BY AMP INCORPORATED. ALL RIGHTS RESERVED. AMP PRODUCTS COVERED BY PATENTS AND/OR PATENTS PENDING.

| REVISIONS | | | |
|-----------|--|-----------|----------|
| LTR | DESCRIPTION | DATE | APPROVED |
| A | REDRAWN, REVISED + ADDED TAPE NO. 321233 | 3-16-70 | FLY |
| B | REV PER G-4732 | 7-88 | BY |
| C | REV/0720-0060-93 | 4-5-93 | TO/me |
| D | REV/0720-0310-94 | 12-1-94 | LO/me |
| E | REV/0910-0113-98 | 01 SEP 98 | ME/JT |



Jameco Part Number 302922

| QTY | DESCRIPTION | PART NO | MATERIAL & FINISH |
|-----|----------------|------------|---|
| 50 | LOOSE PC, BAG | 8-321233-5 | |
| 100 | LOOSE PC, BOX | 8-321233-1 | |
| 1 | 321233 ON TAPE | 2-321233-1 | BODY: COPPER: (ASTM B 152) TIN PL (ASTM B 545) |
| 1 | WIRE TERMINAL | 321233 | SLEEVE INSULATION: NYLON COLOR: BLUE |

UNLESS OTHERWISE SPECIFIED DIMENSIONS ARE IN INCHES
TOLERANCES ON:
DECIMALS ±.008
ANGLES ±5°

MATERIAL
SEE TABLE

CONTRACT NO. #

3-13-70

CHK *[Signature]* 3-16-70

APPD *[Signature]* 3-16-70

REL *[Signature]* 3-17-70

DSGN/APPD

OTHER APPD

AMP AMP INCORPORATED HARRISBURG, PENNSYLVANIA

NAME WIRE TERMINAL P.I.D.G. - SPADE WIRE SIZE: 16-14

| | | |
|------|----------------|--------|
| SIZE | CODE IDENT NO. | NUMBER |
| A | 00779 | 321233 |

SCALE NTS CUSTOMER DRAWING