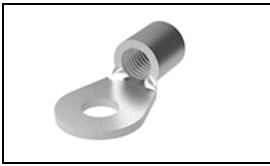


## 321866 Product Details

[Share](#) [Print](#) [Email](#)



**321866**

TE Internal Number: 321866  
✔ Active

[View 3D PDF](#)

### Ring and Spade Tongue Terminals

✔ Always EU RoHS/ELV Compliant (Statement of Compliance)

#### Product Highlights:

- Terminal Shape = Ring Tongue
- Receptacle Style = Straight
- Body Style = SOLISTRAND
- Barrel Type = Closed Barrel
- Wire/Cable Type = Regular Wire

[View all Features](#)

### Quick Links

- ▶ [Pricing & Availability](#)
- ▶ [Search for Tooling](#)
- ▶ [Product Feature Selector](#)
- ▶ [Contact Us About This Product](#)

[Add to My Part List](#) [Request Sample](#) [Find Similar Products](#) [Buy Product](#)

### Documentation & Additional Information

#### Product Drawings:

- [TERMINAL, RING TONGUE, SOLISTRAND WIRE SIZE 50.0mm2...](#) (PDF, English)

#### Catalog Pages/Data Sheets:

- None Available

#### Product Specifications:

- None Available

#### Application Specifications:

- None Available

#### Instruction Sheets:

- None Available

#### CAD Files: [\(CAD Format & Compression Information\)](#)

- [2D Drawing](#) (DXF, Version U)
- [3D Model](#) (IGES, Version U)
- [3D Model](#) (STEP, Version U)

[List all Documents](#)

#### Related Products:

- [Tooling](#)

### Product Features (Please use the Product Drawing for all design activity)

#### Product Type Features:

- [Receptacle Style](#) = Straight
- [Barrel Type](#) = Closed Barrel
- [Wire/Cable Type](#) = Regular Wire
- [Insulation](#) = No
- [Insulation Support](#) = Non-Insulation Support
- [Stud Size](#) = 1/4 [M6]
- [Shape](#) = RING-049
- [Heavy Duty](#) = No
- [Finish](#) = Tin

#### Termination Features:

- [Wire/Cable Size \(CMA\)](#) = 83,700 - 119,500

#### Dimensions:

- [Stud Diameter \(mm \[in\]\)](#) = 6.35 [0.250]
- [Barrel I.D. Min. \(mm \[in\]\)](#) = 11.28 [0.444]

#### Body Features:

- [Body Style](#) = SOLISTRAND
- [Wire Range \(mm \[AWG\]\)](#) = 41.00-60.00; [1/0]
- [Material](#) = Copper
- [Stock Thickness \(mm \[in\]\)](#) = 1.85 [0.073]

#### Contact Features:

- [Terminal Shape](#) = Ring Tongue
- [Class](#) = 2

#### Industry Standards:

- [Government/Industry Qualification](#) = Yes
- [Government/Industry Part Number](#) = MS20659-117
- [RoHS/ELV Compliance](#) = RoHS compliant, ELV compliant
- [Lead Free Solder Processes](#) = Not relevant for lead free process
- [RoHS/ELV Compliance History](#) = Always was RoHS compliant

#### Packaging Features:

- [Packaging Method](#) = Loose Piece

#### Other:

- [Brand](#) = AMP

### Corporate Information

[About TE](#)  
[Investors](#)  
[News Room](#)

### Quick Links

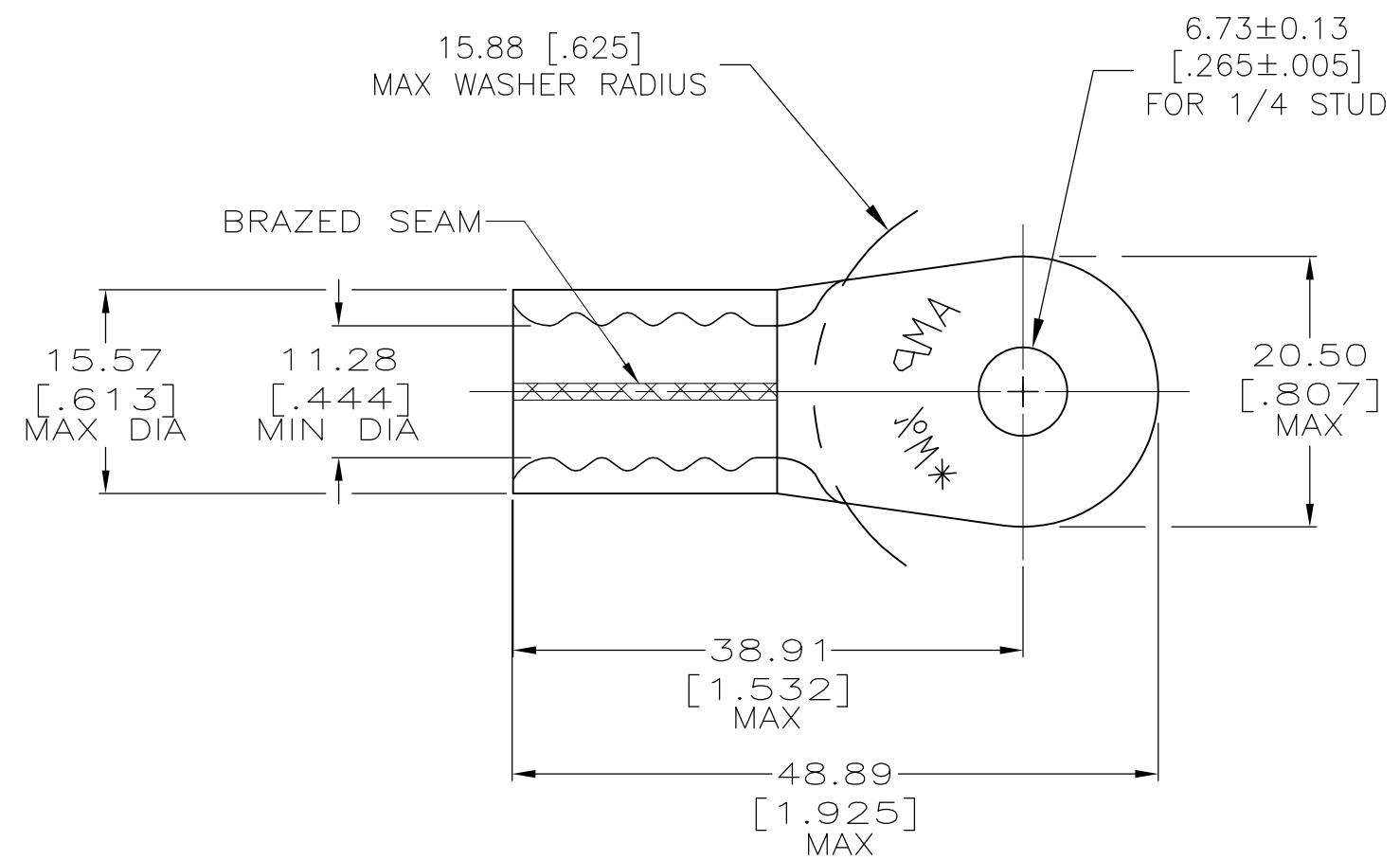
[Distributor Inventory](#)  
[Product Cross Reference](#)  
[Documents & Drawings](#)

### Customer Support

[Email or Chat With Us](#)  
[Find a Phone Number](#)  
[Knowledge Base](#)

LOC	DIST	REVISIONS					
G	14	P	LTR	DESCRIPTION	DATE	DWN	APVD
		J2		REVISED PER ECO-11-004917	11MAR11	RK	HMR

<b>AMP</b> WIRE RANGE	E13288 Listed
1/0 AWG SOLID OR STRANDED	1/0 AWG STRANDED
LR7189 Certified	MILITARY P/N AND CLASS
1/0 AWG SOLID OR STRANDED	MS 20659-117 CLASS 2



- 1 TIN PL 0.00254 [.000100] MIN THK PER ASTM B-545
- 2 GOLD PL 0.00127 [.000050] MIN THK PER MIL-G-45204 OVER NICKEL PL 0.00076 [.000030] MIN THK PER QQ-C-290

OBSOLETE		COPPER ASTM B-152 1.78 ±0.08 [.070 ±.003] ANNEALED	<del>2-321866-1</del>
			321866
	FINISH	MATERIAL	PART NO.

MAX RECOMMENDED OPERATING TEMPERATURE: 170°C	THIS DRAWING IS A CONTROLLED DOCUMENT.		DWN DK SCHRUM 8/30/91	TE Connectivity				
	VOLTAGE RATING: N/A	DIMENSIONS: mm[INCHES]	CHK RD HEIM 9/30/91				NAME TERMINAL, RING TONGUE, SOLISTRAND WIRE SIZE 50.0mm <sup>2</sup> [1/0] AWG	
CIRCULAR MIL AREA: 42.4-60.6mm <sup>2</sup> [83,700-118,500]	MATERIAL SEE TABLE	TOLERANCES UNLESS OTHERWISE SPECIFIED: 0 PLC ± - 1 PLC ± - 2 PLC ± 0.20[.008] 3 PLC ± - 4 PLC ± - ANGLES ± -	APVD AJ KAUFMAN 9/30/91	PRODUCT SPEC	SIZE	CAGE CODE	DRAWING NO	RESTRICTED TO
			FINISH SEE TABLE	WEIGHT	—	A3	00779	C-321866
			CUSTOMER DRAWING		SCALE	SHEET	REV	
					2:1	1 of 1	J2	