

Distributed by:

JAMECO[®]
ELECTRONICS

www.Jameco.com ♦ 1-800-831-4242

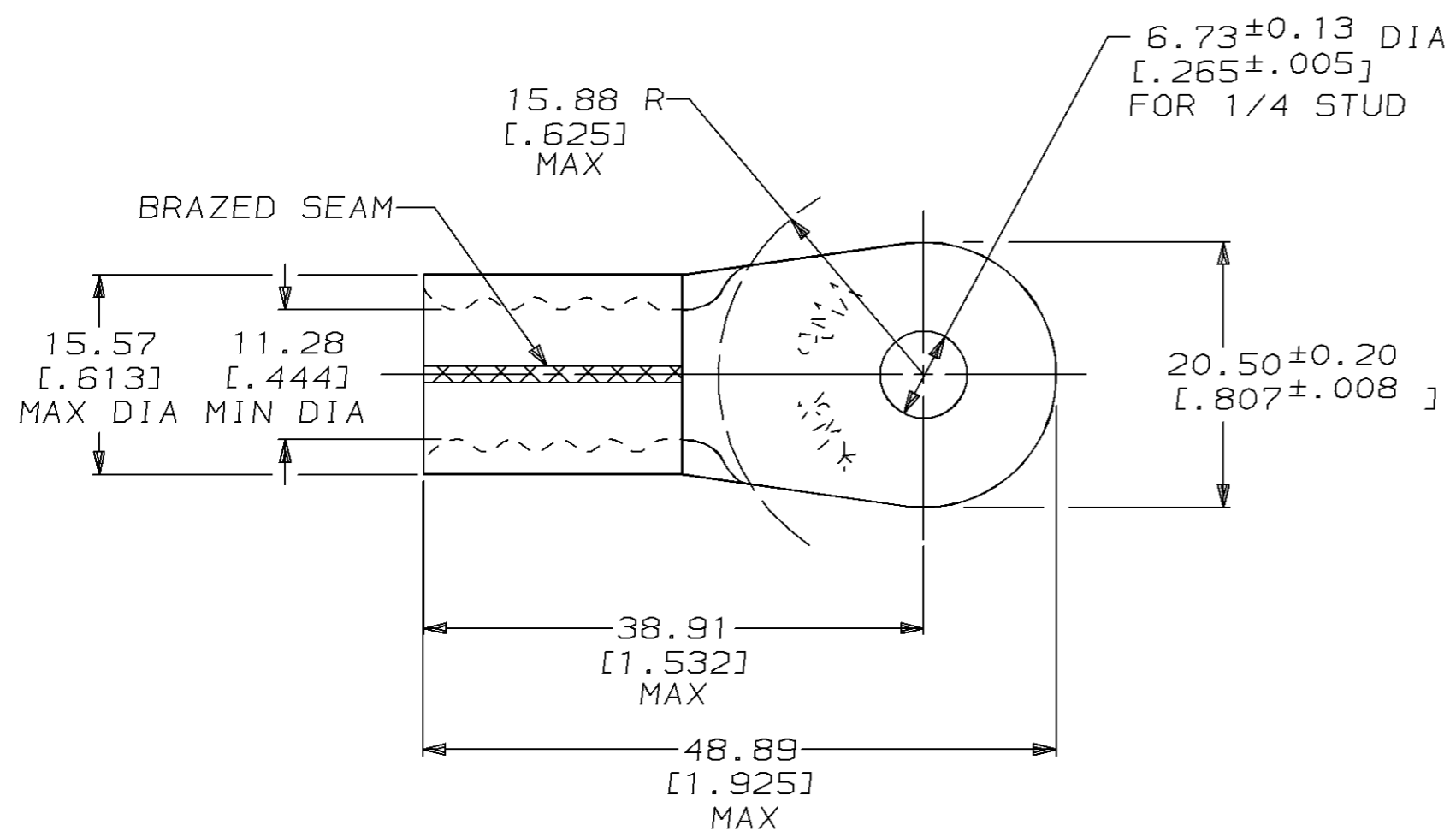
The content and copyrights of the attached
material are the property of its owner.

Jameco Part Number 842574

THIS DRAWING IS UNPUBLISHED. RELEASED FOR PUBLICATION ,19 .
 © COPYRIGHT 19 BY AMP INCORPORATED. ALL RIGHTS RESERVED.

LOC	DIST	REVISIONS					
		P	LTR	DESCRIPTION	DATE	DWN	APVD
G	14		J	REVISED PER 0L20-0073-96	18FEB97	DKS	CHK

AMP WIRE RANGE	E13288 Listed
1/0 AWG SOLID OR STRANDED	1/0 AWG STRANDED
LR7189 Certified	MILITARY P/N AND CLASS
1/0 AWG SOLID OR STRANDED	MS 20659-117 CLASS 2



- ① STAMP AMP 1/0W* APPROX AS SHOWN
- ② MATERIAL THK: 1.78 ± 0.08 [.070 ± .003]
- ③ TIN PL 0.00254 [.000100] MIN THK PER MIL-T-10727
- ④ GOLD PL 0.00127 [.000050] MIN THK PER MIL-G-45204 OVER NICKEL PL 0.00076 [.000030] MIN THK PER QQ-C-290

OBSOLETE	④	2-321866-1
	③	321866
FINISH		AMP PART NUMBER

AMP INCORPORATED
CUSTOMER SERVICE SYSTEMS

FOR ADDITIONAL PRODUCT INFORMATION OR COPIES OF DRAWINGS AND TECHNICAL DOCUMENTS	PRODUCT INFORMATION CENTER 1-800-522-6752	RECOMMENDED OPERATING TEMPERATURE: 170°C MAX
FOR APPLICATION TOOLING INFORMATION	TOOLING ASSISTANCE CENTER 1-800-722-1111	VOLTAGE RATING: NOT APPLICABLE
FOR ORDER ENTRY	1-800-526-5142	WIRE CROSS SECTIONAL AREA RANGE: 42.4-60.6mm ² [83,700-119,500] CIR MILS SOLID OR STRANDED

THIS DRAWING IS A CONTROLLED DOCUMENT FOR AMP INCORPORATED. IT IS SUBJECT TO CHANGE AND THE CONTROLLING ENGINEERING ORGANIZATION SHOULD BE CONTACTED FOR THE LATEST REVISION.

DIMENSIONS: mm [INCHES]	TOLERANCES UNLESS OTHERWISE SPECIFIED:
	0 PLC ±-
	1 PLC ±-
	2 PLC ±0.20 [.008]
	3 PLC ±-
	4 PLC ±-
	ANGLES ±-
MATERIAL COPPER PER ASTM B-152 ANNEALED	FINISH SEE TABLE

DWN DK SCHRUM 18FEB97	AMP AMP Incorporated Harrisburg, PA 17105-3608
CHK DM SWARTZ 25FEB97	
APVD JL MECKLEY 25FEB97	
PRODUCT SPEC	NAME TERMINAL, RING TONGUE, SOLISTRAND™
APPLICATION SPEC	SIZE A3
WEIGHT -	CAGE CODE 00779
CUSTOMER DRAWING	DRAWING NO C-321866
	SCALE 2:1
	SHEET 1 OF 1
	REV J