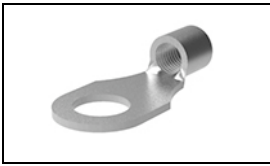


## 321878 Product Details

[Share](#) [Print](#) [Email](#)



**321878**

TE Internal Number: 321878  
Active

[View 3D PDF](#)

### Ring and Spade Tongue Terminals

Always EU RoHS/ELV Compliant (Statement of Compliance)

#### Product Highlights:

- Terminal Shape = Ring Tongue
- Receptacle Style = Straight
- Body Style = SOLISTRAND
- Barrel Type = Closed Barrel
- Wire/Cable Type = Regular Wire

[View all Features](#)

### Quick Links

- [Pricing & Availability](#)
- [Search for Tooling](#)
- [Product Feature Selector](#)
- [Contact Us About This Product](#)

[Add to My Part List](#) [Request Sample](#) [Find Similar Products](#) [Buy Product](#)

### Documentation & Additional Information

#### Product Drawings:

- [TERMINAL, RING TONGUE, SOLISTRAND \(PDF, English\)](#)

#### Catalog Pages/Data Sheets:

- None Available

#### Product Specifications:

- None Available

#### Application Specifications:

- None Available

#### Instruction Sheets:

- None Available

#### CAD Files: [\(CAD Format & Compression Information\)](#)

- [2D Drawing \(DXF, Version H\)](#)
- [3D Model \(IGES, Version H\)](#)
- [3D Model \(STEP, Version H\)](#)

[List all Documents](#)

#### Related Products:

- [Tooling](#)

### Product Features (Please use the Product Drawing for all design activity)

#### Product Type Features:

- Terminal Shape = Ring Tongue
- Receptacle Style = Straight
- Barrel Type = Closed Barrel
- Wire/Cable Type = Regular Wire
- Insulation = No
- Insulation Support = Non-Insulation Support
- Stud Diameter (mm [in]) = 9.91 [0.390]
- Stud Size = 3/8 [9.53]
- Shape = RING-051
- Heavy Duty = No
- Finish = Tin

#### Termination Features:

- Wire/Cable Size (CMA) = 190,000 – 231,100

#### Dimensions:

- Barrel I.D. Min. (mm [in]) = 16.13 [0.635]

#### Body Features:

- Body Style = SOLISTRAND
- Wire Range (mm [AWG]) = 100.00-125.00.0<sup>2</sup> [4/0]
- Material = Copper
- Stock Thickness (mm [in]) = 2.60 [0.102]

#### Contact Features:

- Class = 2

#### Industry Standards:

- Government/Industry Qualification = Yes
- Government/Industry Part Number = MS20659-123
- RoHS/ELV Compliance = RoHS compliant, ELV compliant
- Lead Free Solder Processes = Not relevant for lead free process
- RoHS/ELV Compliance History = Always was RoHS compliant

#### Packaging Features:

- Packaging Method = Loose Piece

#### Other:

- Brand = AMP

### Corporate Information

[About TE](#)

[Investors](#)

### Quick Links

[Distributor Inventory](#)

[Product Cross Reference](#)

### Customer Support

[Email or Chat With Us](#)

[Find a Phone Number](#)

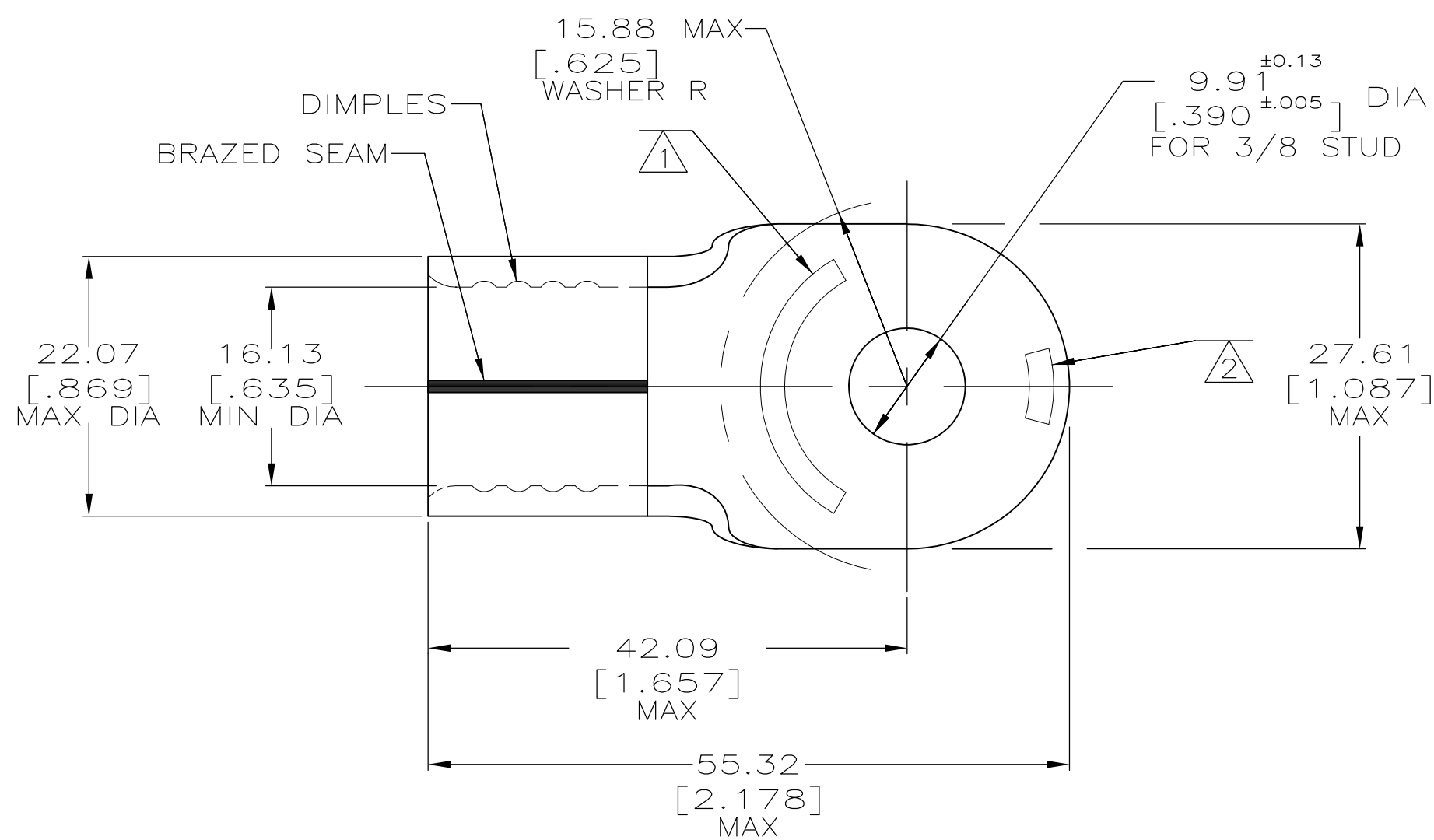
THIS DRAWING IS UNPUBLISHED. RELEASED FOR PUBLICATION  
 © COPYRIGHT - By - ALL RIGHTS RESERVED.

LOC	DIST	REVISIONS					
G	14	P	LTR	DESCRIPTION	DATE	DWN	APVD
			H2	REVISED PER ECO-12-002699	13FEB12	KH	DR

PART NO	MATERIAL	PKG TYPE	QTY
<del>8-321878-5</del>	M/F 8-321878-0	BOX	5
8-321878-6	M/F 8-321878-0	SPL	5

OBSOLETE

<b>AMP</b> WIRE RANGE	E13288 Listed
4/0 AWG SOLID OR STRANDED	4/0 AWG SOLID OR STRANDED
LR7189 Certified	MILITARY P/N AND CLASS
4/0 AWG SOLID OR STRANDED	MS 20659-123 CLASS 2



- 1 STAMP AMP 4/0W\* APPROX AS SHOWN
- 2 STAMP AMP 200 APPROX AS SHOWN
- 3 MATERIAL THK: 2.59±0.08 [.102±.003]
- 4 TIN PLATE 0.00254[.000100] MIN EXT. THK PER ASTM B545.
- 5 NICKEL PLATE 0.00762[.000300] MIN EXT THK PER SAE AMS QQ-N-290.
- 6 PART IS NOT UL LISTED OR CSA CERTIFIED OR MILITARY QUALIFIED.

6 5	343°C [650°F]	321878-1
4	170°C [338°F]	321878
	RECOMMENDED OPERATING TEMP.	PART NUMBER

AMP INCORPORATED CUSTOMER SERVICE SYSTEMS		MAX RECOMMENDED OPERATING TEMPERATURE: SEE TABLE
FOR ADDITIONAL PRODUCT INFORMATION OR COPIES OF DRAWINGS AND TECHNICAL DOCUMENTS	PRODUCT INFORMATION CENTER 1-800-522-6752	VOLTAGE RATING: NOT APPLICABLE
FOR APPLICATION TOOLING INFORMATION	TOOLING ASSISTANCE CENTER 1-800-722-1111	WIRE CROSS SECTIONAL AREA RANGE: 96.3-117.0mm² [190,000-231,100] CIR MILS SOLID OR STRANDED
FOR ORDER ENTRY	1-800-526-5142	

THIS DRAWING IS A CONTROLLED DOCUMENT.	
DIMENSIONS: mm [INCHES]	TOLERANCES UNLESS OTHERWISE SPECIFIED:
	0 PLC ± -
	1 PLC ± -
	2 PLC ± 0.20[.008]
	3 PLC ± -
	4 PLC ± -
	ANGLES ± -
MATERIAL COPPER PER ASTM B-152 ANNEALED	FINISH 4

DWN DK SCHRUM 5/25/93	TE Connectivity	
CHK RD HEIM 1/27/94	NAME TERMINAL, RING TONGUE, SOLISTRAND	
APVD RE ROSER 1/27/94	PRODUCT SPEC -	APPLICATION SPEC -
PRODUCT SPEC	SIZE A3	CAGE CODE 00779
APPLICATION SPEC	DRAWING NO C-321878	RESTRICTED TO -
WEIGHT -	CUSTOMER DRAWING	SCALE 2:1
	SHEET 1 OF 1	REV H2