

### 3-2198618-7 Product Details



**3-2198618-7**

TE Internal Number: 3-2198618-7



#### Cable Clamps

 Always EU RoHS/ELV Compliant (Statement of Compliance)

#### Product Highlights:

- Backshell/Cable Clamp
- Accessory Type = Cable Clamp
- Cable Clamp Type = Two-Piece RFI/EMI Shield
- 45° Cable Exit Angle
- Cable Insulation Diameter = 4.00 - 13.00 mm

#### Documentation & Additional Information

##### Product Drawings:

- [SHIELDED PLASTIC BACKSHELL 45 DEGREE ENTRY](#) (PDF, English)
- [LEAFLET ASSEMBLY INSTRUCTIONS ADK BACKSHELL](#) (PDF, English)

##### Catalog Pages/Data Sheets:

- None Available

##### Product Specifications:

- None Available

##### Application Specifications:

- None Available

##### Instruction Sheets:

- None Available

##### CAD Files: (CAD Format & Compression Information)

- [2D Drawing](#) (DXF, Version A)
- [3D Model](#) (IGES, Version A)
- [3D Model](#) (STEP, Version A)

##### Additional Information:

- [Product Line Information](#)

##### Related Products:

- [Tooling](#)

#### Product Features (Please use the Product Drawing for all design activity)

##### Product Type Features:

- [Product Type](#) = Backshell/Cable Clamp
- [Accessory Type](#) = Cable Clamp
- [Cable Clamp Type](#) = Two-Piece RFI/EMI Shield
- [Shell Size](#) = 4
- [Screws and Retainer Clips](#) = With
- [Grommets](#) = With
- [Slide Latch](#) = Without
- [Thread Size](#) = 4-40

##### Electrical Characteristics:

- [Shielded](#) = Yes

##### Dimensions:

- [Cable Insulation Diameter \(mm \[in\]\)](#) = 4.00 - 13.00 [0.158 - 0.512]

##### Body Features:

- [Cable Exit Angle](#) = 45°
- [Cable Clamp Material](#) = ABS
- [Shield Plating](#) = Nickel

##### Configuration Features:

- [Number of Positions](#) = 37

##### Industry Standards:

- [RoHS/ELV Compliance](#) = RoHS compliant, ELV compliant
- [Lead Free Solder Processes](#) = Not relevant for lead free process
- [RoHS/ELV Compliance History](#) = Always was RoHS compliant

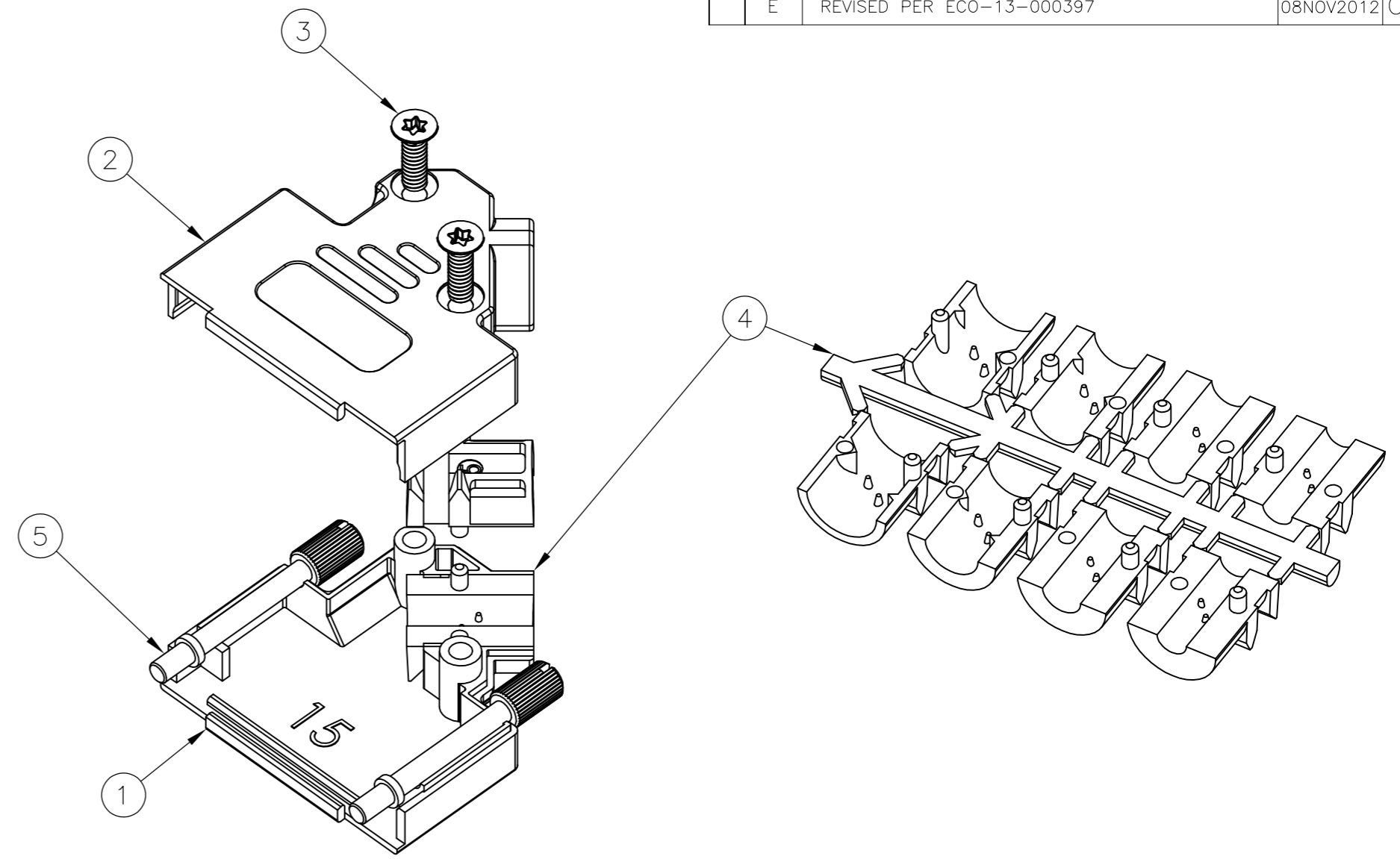
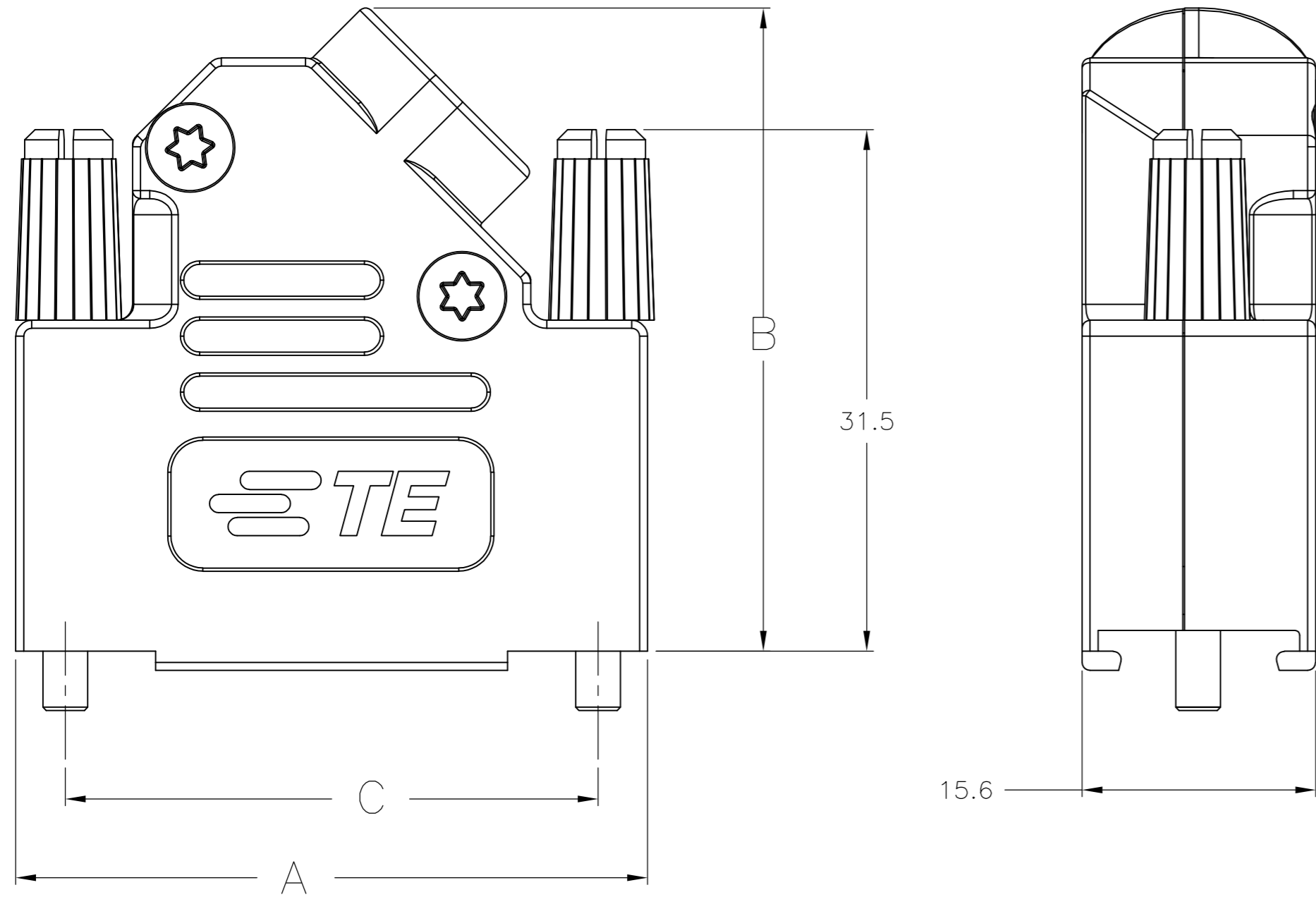
##### Packaging Features:

- [Packaging Method](#) = Bulk

##### Other:

- [Brand](#) = AMP

LOC		DIST		REVISIONS				
P	LTR	DESCRIPTION			DATE	DWN	APVD	
GP	00	E		REVISED PER ECO-13-000397	08NOV2012	CJV	CWR	



- 1. FOR ASSEMBLY DETAILS, REFER TO LEAFLET 2227518-1.
- 2. BULK PACKAGED BACKSHELL ASSEMBLIES: ITEMS 1 THRU 5, 100 TIMES QTY SHOWN IN TABLE IN 1 BAG FOR EACH ITEM. ALL BAGS IN 1 BOX WITH (1) 2227518-1 LEAFLET.
- 3. INDIVIDUALLY PACKAGED SHELL ASSEMBLIES: 1 BAG CONTAINS ALL COMPONENTS FOR 1 COMPLETE ASSEMBLY. 100 BAGS PER BOX, (1) 2227518-1 LEAFLET PER BOX.
- 4. TERMINATES 4.0-13.0 CABLE DIAMETERS.
- 5. 15 POSITION SHOWN.

- 6. TRIVALENT CHROMIUM CHROMATE COATING OVER ZINC PLATING.
- 7. JACKSCREW QUANTITY:  
 9 WAY ASSEMBLY: 1 JACKSCREW  
 15 WAY ASSEMBLY: 2 JACKSCREWS  
 25 WAY ASSEMBLY: 2 JACKSCREWS  
 37 WAY ASSEMBLY: 2 JACKSCREWS.
- 8. OPTIONAL CABLE CRIMP KIT AVAILABLE FOR 6.0-9.5 DIAMETER CABLE. SEE 1478764.

5	JACKSCREW ASSEMBLY, 4-40	POLYAMIDE, UL94 V2 KNOB	BLACK	7
		CARBON STEEL SHAFT	6	
4	STRAIN RELIEF SET	POLYCARBONATE UL94 V0	BLACK	1
3	SELF TAPPING FIXING SCREW	CARBON STEEL	6	2
2	TOP BACKSHELL	ABS UL94 V0	NICKEL	1
1	BOTTOM BACKSHELL	ABS UL94 V0	NICKEL	1
ITEM	DESCRIPTION	MATERIAL	FINISH	QTY

3	63.5	40.2	69.5	TORX	4-40 UNC	4	37 WAY	5-2198618-4
3	47.0	40.2	53.0	TORX	4-40 UNC	3	25 WAY	5-2198618-3
3	33.3	40.2	39.3	TORX	4-40 UNC	2	15 WAY	5-2198618-2
3	25.0	36.2	31.0	TORX	4-40 UNC	1	9 WAY	5-2198618-1
2	63.5	40.2	69.5	TORX	4-40 UNC	4	37 WAY	3-2198618-7
2	47.0	40.2	53.0	TORX	4-40 UNC	3	25 WAY	2-2198618-5
2	33.3	40.2	39.3	TORX	4-40 UNC	2	15 WAY	1-2198618-5
2	25.0	36.2	31.0	TORX	4-40 UNC	1	9 WAY	2198618-9
PACKAGING	C	B	A	SELF TAPPING FIXING SCREW TYPE	JACKSCREW THREAD	SHELL SIZE	POSITION	PART NUMBER

THIS DRAWING IS A CONTROLLED DOCUMENT. DIMENSIONING AND TOLERANCING PER ASME Y14.5M-2009

DWN: C. VALENTINE 09DEC2011  
 CHK: C. ROHDE 08DEC2011  
 APVD: C. ROHDE 08DEC2011

TE Connectivity  
 SHIELDED PLASTIC BACKSHELL  
 45 DEGREE ENTRY

SIZE: A2 CAGE CODE: 00779 DRAWING NO: C=2198618  
 SCALE: 1:1 SHEET: 1 OF 1

MATERIAL: SEE TABLE FINISH: SEE TABLE WEIGHT: - CUSTOMER DRAWING