

322313 Product Details

[Share](#) [Print](#) [Email](#)



322313

TE Internal Number: 322313

Active

Ring and Spade Tongue Terminals

Always EU RoHS/ELV Compliant (Statement of Compliance)

Product Highlights:

- Terminal Shape = Ring Tongue
- Receptacle Style = Flag
- Body Style = PLASTI-GRIP
- Barrel Type = Closed Barrel
- Wire/Cable Type = Regular Wire

[View all Features](#)

Quick Links

- ▶ [Pricing & Availability](#)
- ▶ [Search for Tooling](#)
- ▶ [Product Feature Selector](#)
- ▶ [Contact Us About This Product](#)

[Add to My Part List](#)

[Request Sample](#)

[Find Similar Products](#)

[Buy Product](#)

Documentation & Additional Information	
<p>Product Drawings:</p> <ul style="list-style-type: none"> • WIRE TERMINAL, PLASTI-GRIP-RING TONGUE-FLAG, WIRE SI... (PDF, English) <p>Catalog Pages/Data Sheets:</p> <ul style="list-style-type: none"> • None Available <p>Product Specifications:</p> <ul style="list-style-type: none"> • None Available <p>Application Specifications:</p> <ul style="list-style-type: none"> • PLASTI-GRIP Terminals and Splices (PDF, English) <p>Instruction Sheets:</p> <ul style="list-style-type: none"> • None Available <p>CAD Files:</p> <ul style="list-style-type: none"> • None Available 	<p>Related Products:</p> <ul style="list-style-type: none"> • Tooling

[List all Documents](#)

Product Features (Please use the Product Drawing for all design activity)	
<p>Product Type Features:</p> <ul style="list-style-type: none"> • Terminal Shape = Ring Tongue • Receptacle Style = Flag • Barrel Type = Closed Barrel • Wire/Cable Type = Regular Wire • Insulation = Yes • Insulation Support = Insulation Support • Stud Diameter (mm [in]) = 6.14 [0.242] • Stud Size = 14 • Shape = RING-058 • Heavy Duty = No • Finish = Tin • Color = Black <p>Electrical Characteristics:</p> <ul style="list-style-type: none"> • Voltage (VAC) = 600 <p>Termination Features:</p> <ul style="list-style-type: none"> • Wire/Cable Size (CMA) = 2,050 – 5,180 	<p>Dimensions:</p> <ul style="list-style-type: none"> • Insulation Diameter (mm [in]) = 5.84 [.230] Max. <p>Body Features:</p> <ul style="list-style-type: none"> • Body Style = PLASTI-GRIP • Wire Range (mm [AWG]) = 1.25-2.00² [16-14] • Material = Copper • Tongue Material Thickness (mm [in]) = 1.27 [0.050] • Insulation Material = Vinyl <p>Industry Standards:</p> <ul style="list-style-type: none"> • Government/Industry Qualification = No • RoHS/ELV Compliance = RoHS compliant, ELV compliant • Lead Free Solder Processes = Not relevant for lead free process • RoHS/ELV Compliance History = Always was RoHS compliant

Packaging Features:

- [Packaging Method](#) = Loose Piece/Bulk

Other:

- Brand = AMP
- Comment = Heavy Duty for extra mechanical strength

Corporate Information

- [About TE](#)
- [Investors](#)
- [News Room](#)
- [Supplier Portal](#)
- [Careers](#)
- [Terms & Conditions](#)
- [Privacy Policy](#)

Quick Links

- [Distributor Inventory](#)
- [Product Cross Reference](#)
- [Documents & Drawings](#)
- [Product Compliance Support Center](#)
- [Site Map](#)

Customer Support

- [Email or Chat With Us](#)
- [Find a Phone Number](#)
- [Knowledge Base](#)
- [Manage Your Account](#)

Keep Me Informed

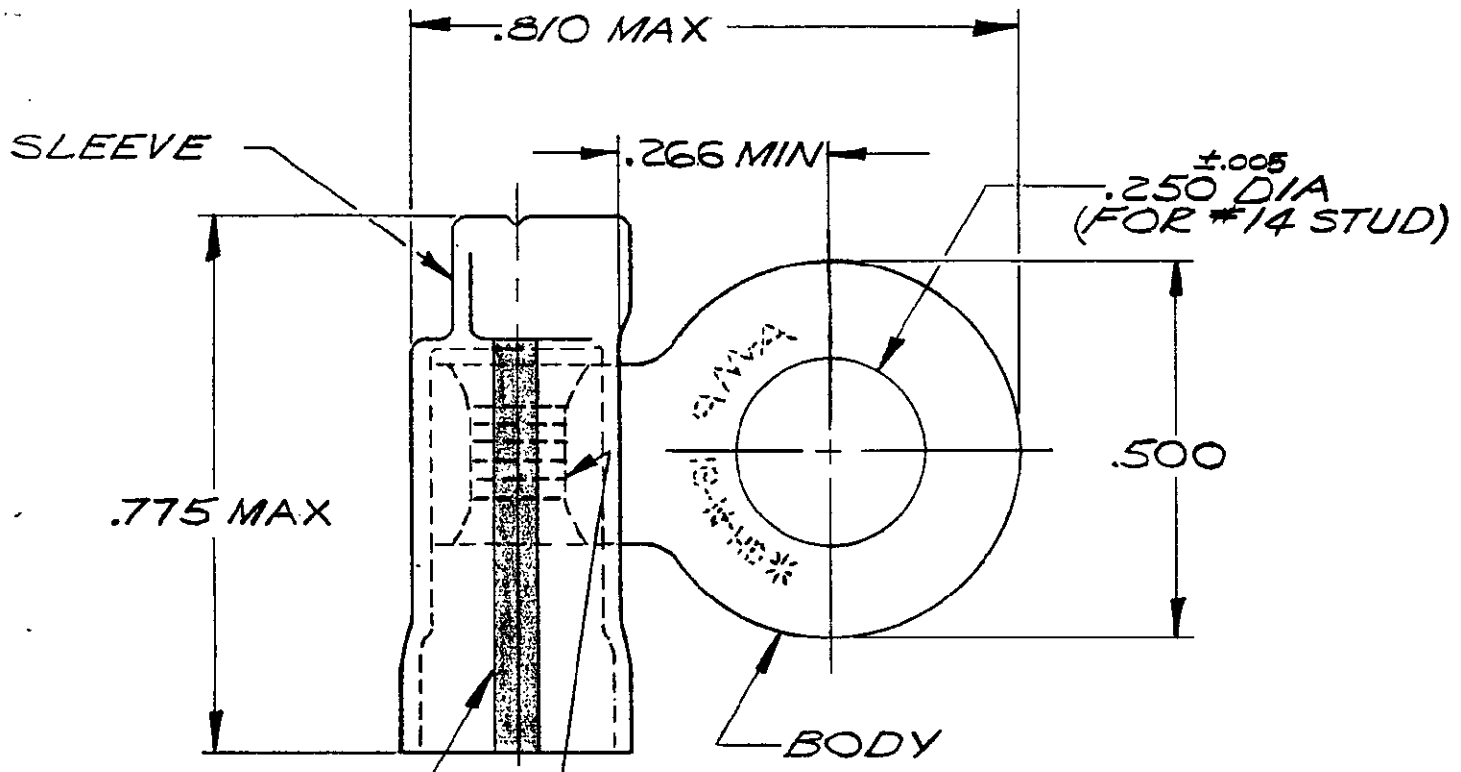


DRAWING MADE IN AMERICAN PROJECTION

LOC **G** PRINT DIST **14**

© 1954 BY AMP INCORPORATED. ALL RIGHTS RESERVED. AMP PRODUCTS COVERED BY PATENTS AND/OR PATENTS PENDING.

REVISIONS			
LTR	DESCRIPTION	DATE	APPROVED
E	REV/0L20-0085-97	11/13-97	ME/SB
C	REV/G-020492	LO 10/92	ME
D	REV/0720-0309-93	LO 9/93	ME



STRIPES
COLOR: BLACK

TONGUE MAT'L THK .048 ±.002

1	.320 MAX	322313-0	SLEEVE: PVC, COLOR: NATURAL
		OBSOLETE	
1	.150 - .230	322313	BODY: COPPER (QQ-C-576) TIN PLATE (MIL-T-10727)

QTY FOR WIRE INS. DIA. PART NO. MATERIAL AND FINISH

UNLESS OTHERWISE SPECIFIED DIMENSIONS ARE IN INCHES
TOLERANCES ON:
DECIMALS ± .008
ANGLES ± 5°

CONTRACT NO. #
DR. *Stair Sink* 4-17-69
CHK *H. Young* 4-17-69
APPD *H. Young* 4-17-69
REL *M. Encarnacion*
DSGN APPD
OTHER APPD



AMP INCORPORATED
HARRISBURG, PENNSYLVANIA

NAME
WIRE TERMINAL
PLASTI-GRIP-RING TONGUE-FLAG
WIRE SIZE: 16-14 HD

MATERIAL
SEE TABLE

SIZE	CODE IDENT NO.	NUMBER
A	00779	322313

SCALE 4:1 SHEET 1 OF 1