

Distributed by:

**JAMECO**<sup>®</sup>  
ELECTRONICS

**www.Jameco.com ♦ 1-800-831-4242**

The content and copyrights of the attached  
material are the property of its owner.

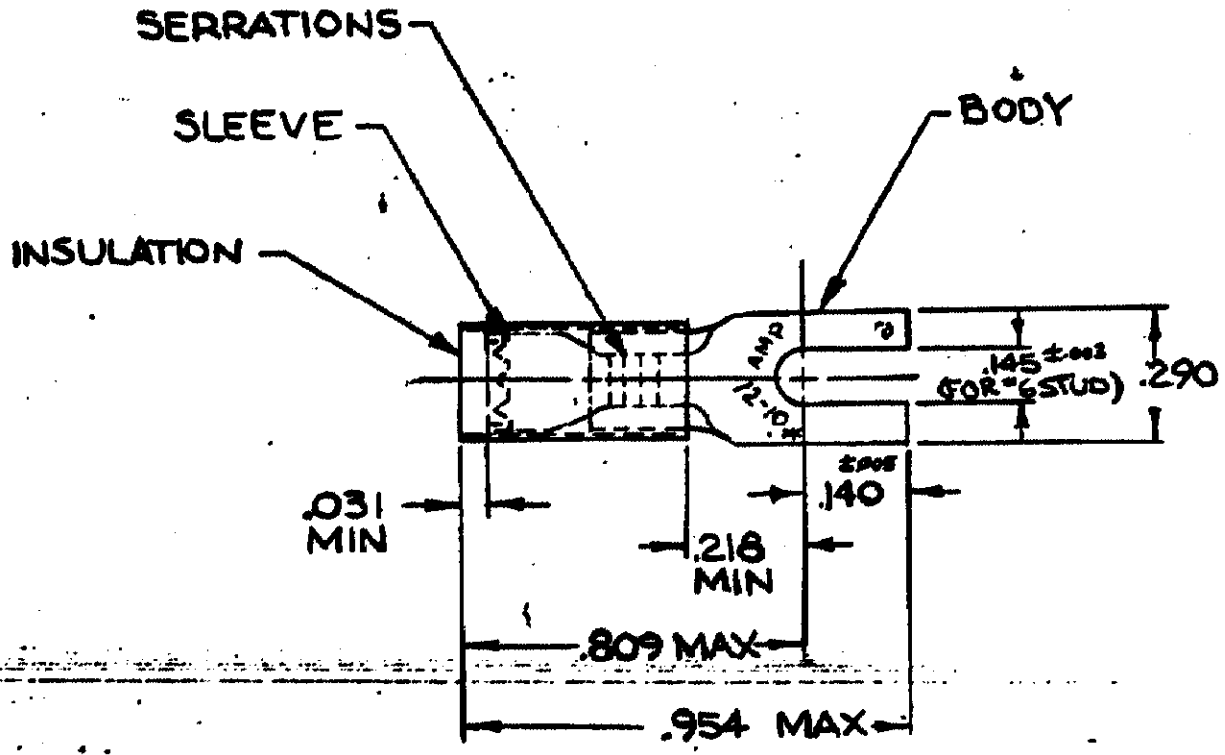
Jameco Part Number 925249

DRAWING MADE IN AMERICAN PROJECTOR

LOC **G** (141)

© 1960 BY AMP INCORPORATED. ALL RIGHTS RESERVED. AMP PRODUCTS COVERED BY PATENTS AND/OR PATENTS PENDING.

REVISIONS				
LT#	DESCRIPTION	DATE	APPROVED	
A	REDRAWN & REV. P-6080	MM 58-70	Yme	
B	ADDED TAPE NO. 1-322985-0	FE 58-71	SBF	
C	REV PER G-4732	JT 7/2/78	PT	
D	REV/ 0720-0060-93	4-6-93	TO/ml	



50	LOOSE PC, BOX	8-322985-2	BODY: COPPER (QQ-C-576) TIN PL (MIL-T-10727) SLEEVE: COPPER (QQ-C-576) INSULATION: NYLON COLOR: YELLOW
	322985 ON TAPE	1-322985-0	
	WIRE TERMINAL	322985	
QTY	DESCRIPTION	PART NO.	MATERIAL & FINISH

UNLESS OTHERWISE SPECIFIED DIMENSIONS ARE IN INCHES  
TOLERANCES ON DECIMALS  
ANGLES

MATERIAL

SEE TABLE

CONTRACT NO. 4

DR. *John Miller* 5-8-70

CHK. *W. Cunningham*

APPD. *W. Miller* 5-11-70

REL. *W. Miller* 5-11-70

DSGN APPD.

OTHER APPD.

**AMP** AMP INCORPORATED HARRISBURG, PENNSYLVANIA

NAME: WIRE TERMINAL  
P.I.D.G - SPADE  
WIRE SIZE: 12-10

SIZE: A CODE ID: 00779 NUMBER: 322985

SCALE: NTS SHEET 1 OF 1