

Distributed by:

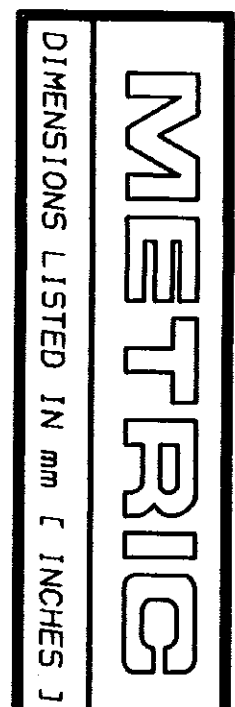
**JAMECO**<sup>®</sup>  
ELECTRONICS

**www.Jameco.com ♦ 1-800-831-4242**

The content and copyrights of the attached  
material are the property of its owner.

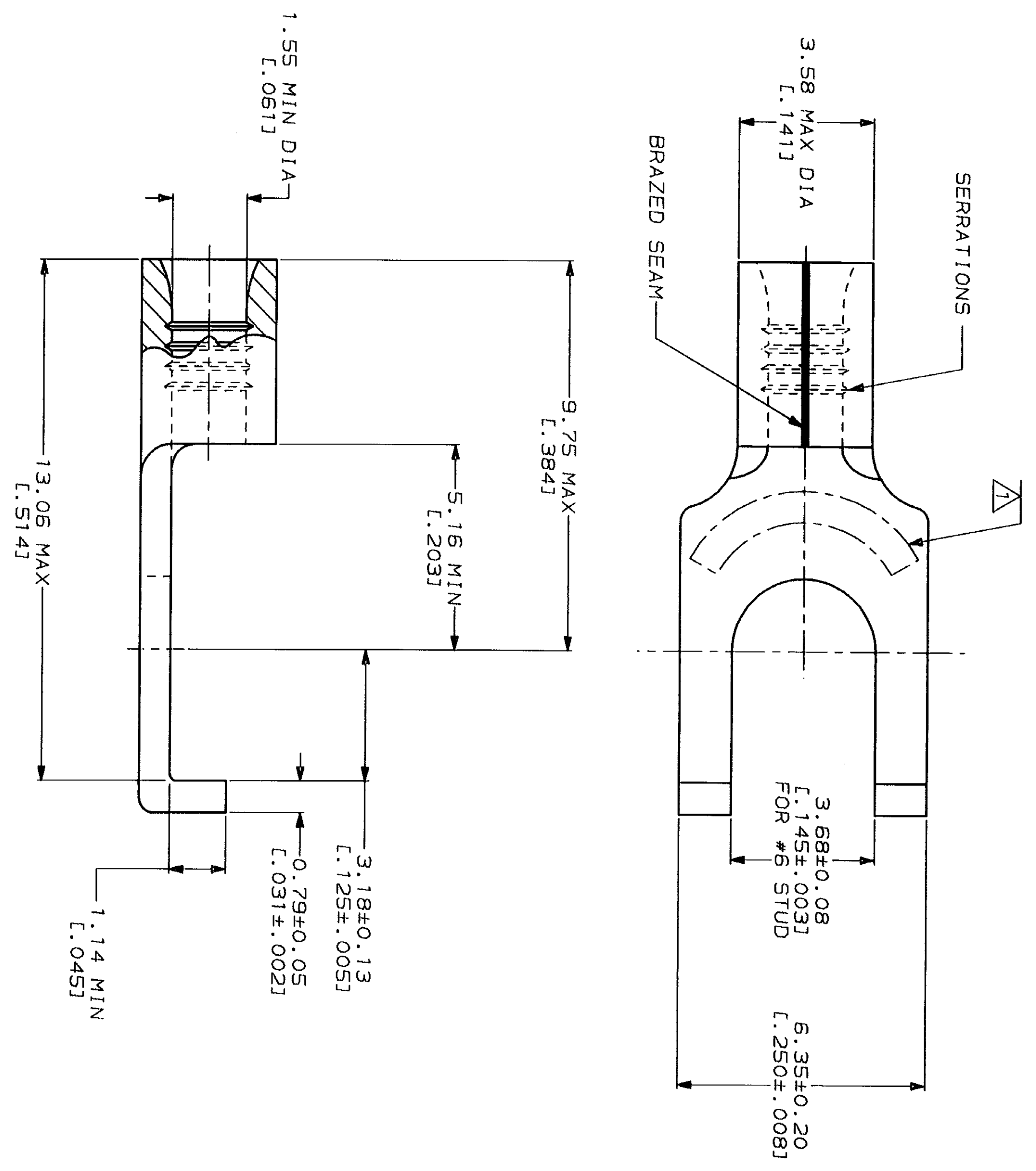
Jameco Part Number 938496

| LOC | QTY | REV | DESCRIPTION                         | DATE   | APPD |
|-----|-----|-----|-------------------------------------|--------|------|
| G   | 14  |     | REV. RDW. & SM PKG PER 0720-0040-93 | 4-8-93 | JL   |



|                                |                                |
|--------------------------------|--------------------------------|
| <b>AMP</b><br>WIRE RANGE       | <b>JL</b><br>E13288<br>Listed  |
| 22-16 AWG<br>SOLID OR STRANDED | 22-16 AWG<br>SOLID OR STRANDED |
| <b>LR2189</b><br>Certified     | MILITARY P/N<br>AND CLASS      |
| 22-16 AWG<br>SOLID OR STRANDED | NOT APPLICABLE                 |

STAMP AMP 22-18\* APPROX AS SHOWN  
 22-16 TERMINALS ARE STAMPED 22-18 IN  
 ACCORDANCE WITH MILITARY SPECIFICATION  
 MIL-T-7928; COMMERCIAL WIRE RANGE IS 22-16



**AMP INCORPORATED**  
**CUSTOMER SERVICE SYSTEMS**

|  |  |
|--|--|
| FOR ADDITIONAL PRODUCT INFORMATION OR COPIES OF DRAWINGS AND TECHNICAL DOCUMENTS | PRODUCT INFORMATION CENTER<br>1-800-522-6752 |
| FOR APPLICATION TOOLING INFORMATION  | TOOLING ASSISTANCE CENTER<br>1-800-722-1111  |
| FOR ORDER ENTRY  | 1-800-526-5142                               |

|  |  |
|--|--|
| MAX RECOMMENDED OPERATING TEMPERATURE: 170°C MAX                                     | DO NOT SCALE PRINT. UNLESS SPECIFIED DIMENSIONS IN INCHES - TOLERANCES ON: 1. PLC DEC ± .005 2. PLG DEC ± .005 3. PLG DEC ± .005 |
| VOLTAGE RATING: NOT APPLICABLE   | MATERIAL: COPPER PER ASTM B-152 ANNEALED   |
| WIRE CROSS SECTIONAL AREA RANGE: 0.26-1.65mm² [509-3,260] CIR MILS SOLID OR STRANDED | FINISH: TIN PLATE 0.00254 [L.000100] MIN THK PER MIL-T-10727   |

|                            |   |
|----------------------------|---|
| DR 4-8-93<br>TA BRINKMAN   | NAME: AMP                                     |
| CHK 4-8-93<br>DA PATTERSON | AMP Incorporated<br>Harrisburg, PA 17105-3608 |
| APPD 4-8-93<br>DE MILLER   | TERMINAL, FLANGED SPADE, SOLISTRAND™          |
| APPD 4-8-93<br>JL MECKLEY  | SIZE: 00779                                   |
| PRODUCT SPEC               | CAGE CODE: 323136                             |
| APPLICATION SPEC           | DRAWING NO: 323136                            |
| WEIGHT                     | SCALE: 10:1                                   |

| QUANTITY | PACKAGING TYPE   | PART NO    |
|----------|------------------|------------|
| 100      | LOOSE PIECE, BOX | 8-323136-1 |
| 5000     | ON TAPE          | 2-323136-1 |
| ---      | LOOSE PIECE      | 323136     |