



Have a Question?
 Chat with a Product
 Information Specialist

What can we help you find?

[Products](#) |
 [Industries](#) |
 [Resources](#) |
 [About TE](#) |
 [My Account](#) |
 [Innovation](#) |
 [Support Center](#)

323915 Product Details

[Share](#) |
 [Print](#) |
 [Email](#)



323915

TE Internal Number: 323915

Active

[View 3D PDF](#)

Ring and Spade Tongue Terminals

Always EU RoHS/ELV Compliant (Statement of Compliance)

Product Highlights:

- Terminal Shape = Ring Tongue
- Receptacle Style = Straight
- Body Style = PIDG
- Barrel Type = Closed Barrel
- Wire/Cable Type = Regular Wire

[View all Features](#)

Quick Links

- ▶ [Pricing & Availability](#)
- ▶ [Search for Tooling](#)
- ▶ [Product Feature Selector](#)
- ▶ [Contact Us About This Product](#)

[Add to My Part List](#) |
 [Request Sample](#) |
 [Find Similar Products](#) |
 [Buy Product](#)

Documentation & Additional Information

Product Drawings:

- [WIRE TERMINAL PIDG - RING TONGUE WIRE SIZE: 26-22 \(PDF, English\)](#)

Catalog Pages/Data Sheets:

- None Available

Product Specifications:

- None Available

Application Specifications:

- [Pre-Insulated Diamond Grip \(PIDG\) Terminals, Splices... \(PDF, English\)](#)

Instruction Sheets:

- None Available

CAD Files: (CAD Format & Compression Information)

- [2D Drawing \(DXF, Version K\)](#)
- [3D Model \(IGES, Version K\)](#)
- [3D Model \(STEP, Version K\)](#)

[List all Documents](#)

Related Products:

- [Tooling](#)

Product Features (Please use the Product Drawing for all design activity)

Product Type Features:

- Terminal Shape = Ring Tongue
- Receptacle Style = Straight
- Barrel Type = Closed Barrel
- Wire/Cable Type = Regular Wire
- Insulation = Yes
- Insulation Support = Insulation Support
- Stud Diameter (mm [in]) = 3.51 [0.138]
- Stud Size = 6 [M3.5]
- Shape = RING-041
- Heavy Duty = No
- Finish = Tin
- Color = Yellow

Electrical Characteristics:

- Voltage (VAC) = 300

Termination Features:

- Wire/Cable Size (CMA) = 202 - 810

Dimensions:

- Insulation Diameter (mm [in]) = 2.08 [.082] Max.

Body Features:

- Body Style = PIDG
- Wire Range (mm [AWG]) = 0.12-0.40² [26-22]
- Material = Copper
- Tongue Material Thickness (mm [in]) = 0.50 [0.0197]
- Insulation Material = Nylon

Industry Standards:

- Government/Industry Qualification = No
- RoHS/ELV Compliance = RoHS compliant, ELV compliant
- Lead Free Solder Processes = Not relevant for lead free process
- RoHS/ELV Compliance History = Always was RoHS compliant

Packaging Features:

- Packaging Method = Loose Piece

Other:

- Brand = AMP

Corporate Information

[About TE](#)
[Investors](#)
[News Room](#)

Quick Links

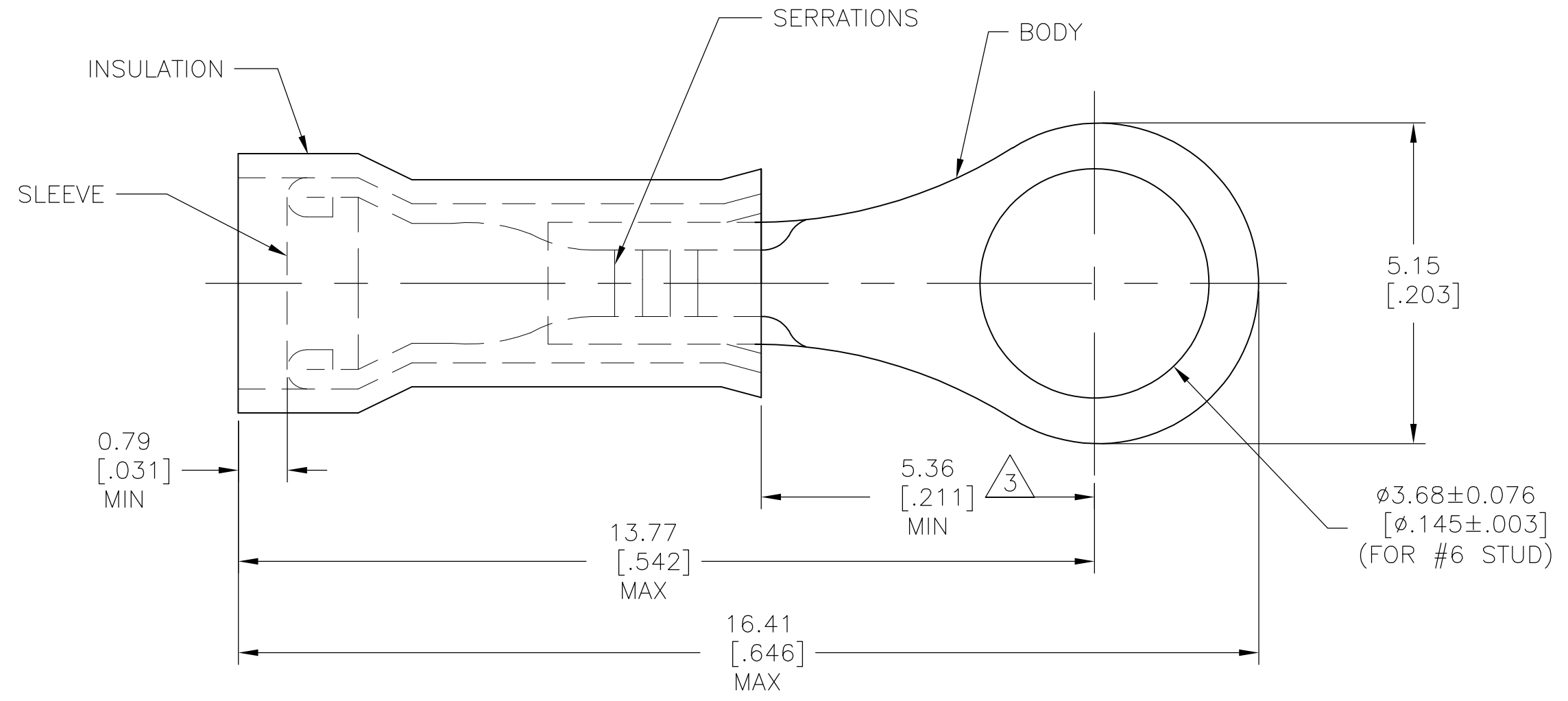
[Distributor Inventory](#)
[Product Cross Reference](#)
[Documents & Drawings](#)

Customer Support

[Email or Chat With Us](#)
[Find a Phone Number](#)
[Knowledge Base](#)

THIS DRAWING IS UNPUBLISHED. RELEASED FOR PUBLICATION
 © COPYRIGHT - By - ALL RIGHTS RESERVED.

LOC	DIST	REVISIONS					
G	14	P	LTR	DESCRIPTION	DATE	DWN	APVD
			K2	REVISED PER ECO-11-004917	11MAR11	RK	HMR



- 1 FOR 1.27[.050] TO 2.08[.082] WIRE INSULATION DIA
- 2 TONGUE MATERIAL THK 0.46±0.05[.018±.002]
- 3 APPLIES FROM EDGE OF METAL BARREL TO CENTERLINE OF STUD HOLE.

-	100	LOOSE PC, BOX	BODY: COPPER ASTM-B152 TIN PL ASTM-B545	8-323915-1
-	4000	ON TAPE, REEL	SLEEVE: COPPER ASTM-B152 TIN PL ASTM-B545	2-323915-2
2-323915-2	1	WIRE TERMINAL	INSULATION: NYLON ASTM-D4066 COLOR: YELLOW, TYPE I	323915
PART NO ON TAPE	QTY	DESCRIPTION	MATERIAL & FINISH	PART NO

THIS DRAWING IS A CONTROLLED DOCUMENT.		DWN RAGHAVENDRA 18MAR10	STE TE Connectivity	
DIMENSIONS: mm [INCHES]		CHK JEFF RUTH 18MAR10		
TOLERANCES UNLESS OTHERWISE SPECIFIED:		APVD TOM MICHIELUTTI 18MAR10	NAME	
0 PLC ± -		PRODUCT SPEC	WIRE TERMINAL	
1 PLC ± -		APPLICATION SPEC	PIDG - RING TONGUE	
2 PLC ± -		WEIGHT -	WIRE SIZE: 26-22	
3 PLC ± 0.20[.008]		CUSTOMER DRAWING	SIZE A3	CAGE CODE 00779
4 PLC ± -		SCALE 12:1	DRAWING NO C-323915	RESTRICTED TO -
ANGLES ± 0° 30'		SHEET 1 OF 1	REV K2	
MATERIAL SEE TABLE	FINISH SEE TABLE			