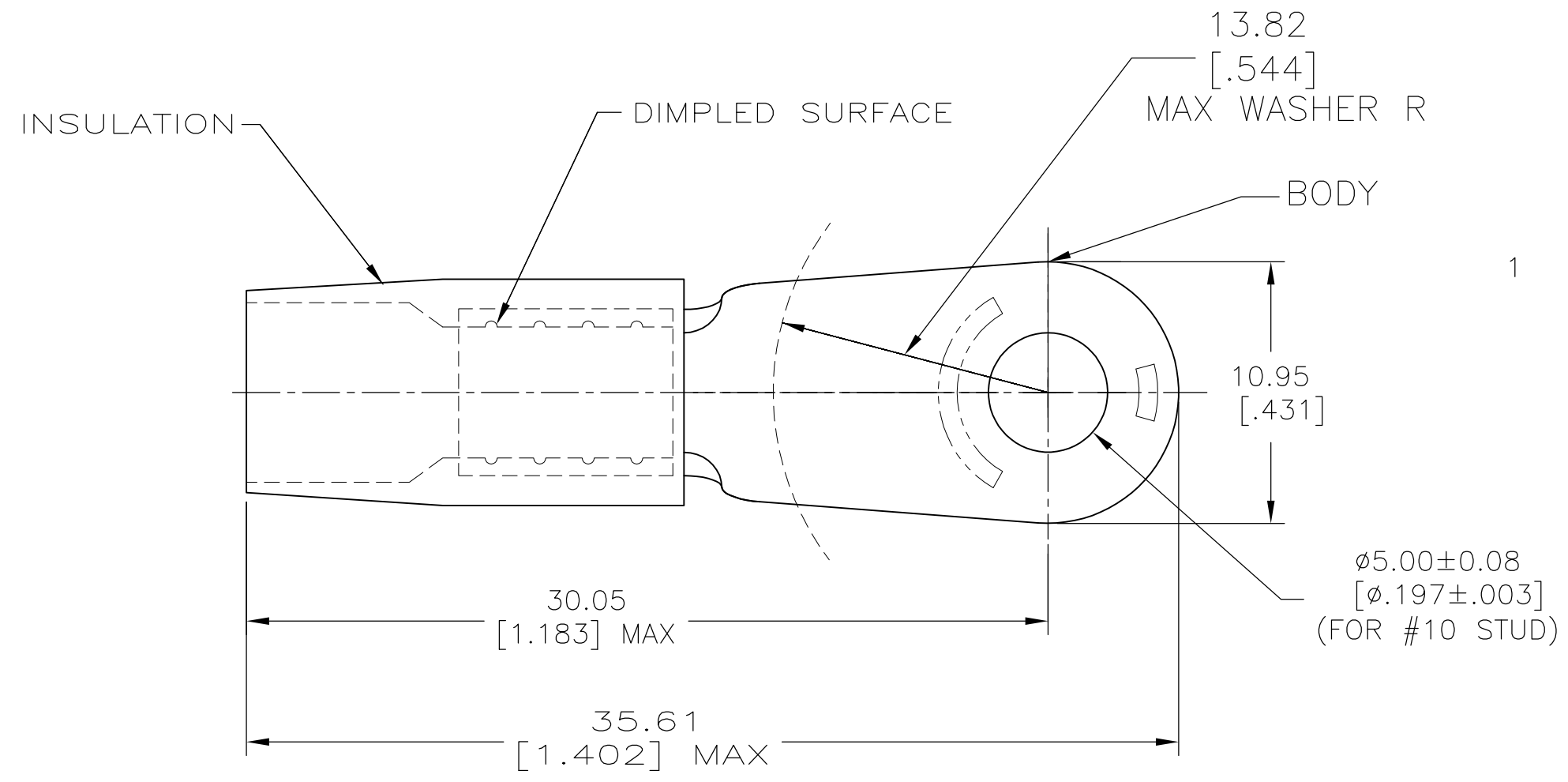


THIS DRAWING IS UNPUBLISHED. RELEASED FOR PUBLICATION
 © COPYRIGHT - By - ALL RIGHTS RESERVED.

LOC	DIST	REVISIONS					
G	14	P	LTR	DESCRIPTION	DATE	DWN	APVD
		J2		REVISED PER ECO-13-008676	23MAY13	KH	DR

AMP
WIRE RANGE

8 AWG
STRANDED



1 TONGUE MATERIAL THK 1.02 ±0.08 [.040±.003]
FOR 6.50 [.256] MAX WIRE INS DIA

MS25036-115 CLASS 2	-	LOOSE PC	324043
MILITARY P/N AND CLASS	QTY	PACKAGE TYPE	PART NO

AMP INCORPORATED CUSTOMER SERVICE SYSTEMS		MAX RECOMMENDED OPERATING TEMPERATURE: 105°C [221°F]
FOR ADDITIONAL PRODUCT INFORMATION OR COPIES OF DRAWINGS AND TECHNICAL DOCUMENTS	PRODUCT INFORMATION CENTER 1-800-522-6752	VOLTAGE RATING: -
FOR APPLICATION TOOLING INFORMATION	TOOLING ASSISTANCE CENTER 1-800-722-1111	CIRCULAR MIL AREA: 6.64-10.5mm² [13.100-20.800] STRANDED
FOR ORDER ENTRY	1-800-526-5142	THIS DRAWING IS A CONTROLLED DOCUMENT FOR AMP INCORPORATED. IT IS SUBJECT TO CHANGE AND THE CONTROLLING ENGINEERING ORGANIZATION SHOULD BE CONTACTED FOR THE LATEST REVISION.

THIS DRAWING IS A CONTROLLED DOCUMENT.

DIMENSIONS: mm [INCHES]	TOLERANCES UNLESS OTHERWISE SPECIFIED:
	0 PLC ± -
	1 PLC ± -
	2 PLC ± 0.20 [.008]
	3 PLC ± -
	4 PLC ± -
	ANGLES ± -
MATERIAL COPPER PER ASTM B-152 NYLON (MIL-M-20693) TYPE 1 COLOR: RED	FINISH TIN PLATE PER MIL-T-10727

DWN S.S. GOULDEN 6-18-93	STE TE Connectivity	NAME		
CHK R. HERSEY 6-18-93		TERMINAL, RING TONGUE, TERMINYL WIRE SIZE: 8 AWG		
APVD B. BARE 6-18-93		SIZE	CAGE CODE	DRAWING NO
PRODUCT SPEC		A3	00779	C-324043
APPLICATION SPEC	RESTRICTED TO	-		
WEIGHT -	CUSTOMER DRAWING	SCALE NTS	SHEET 1 OF 1	REV J2