

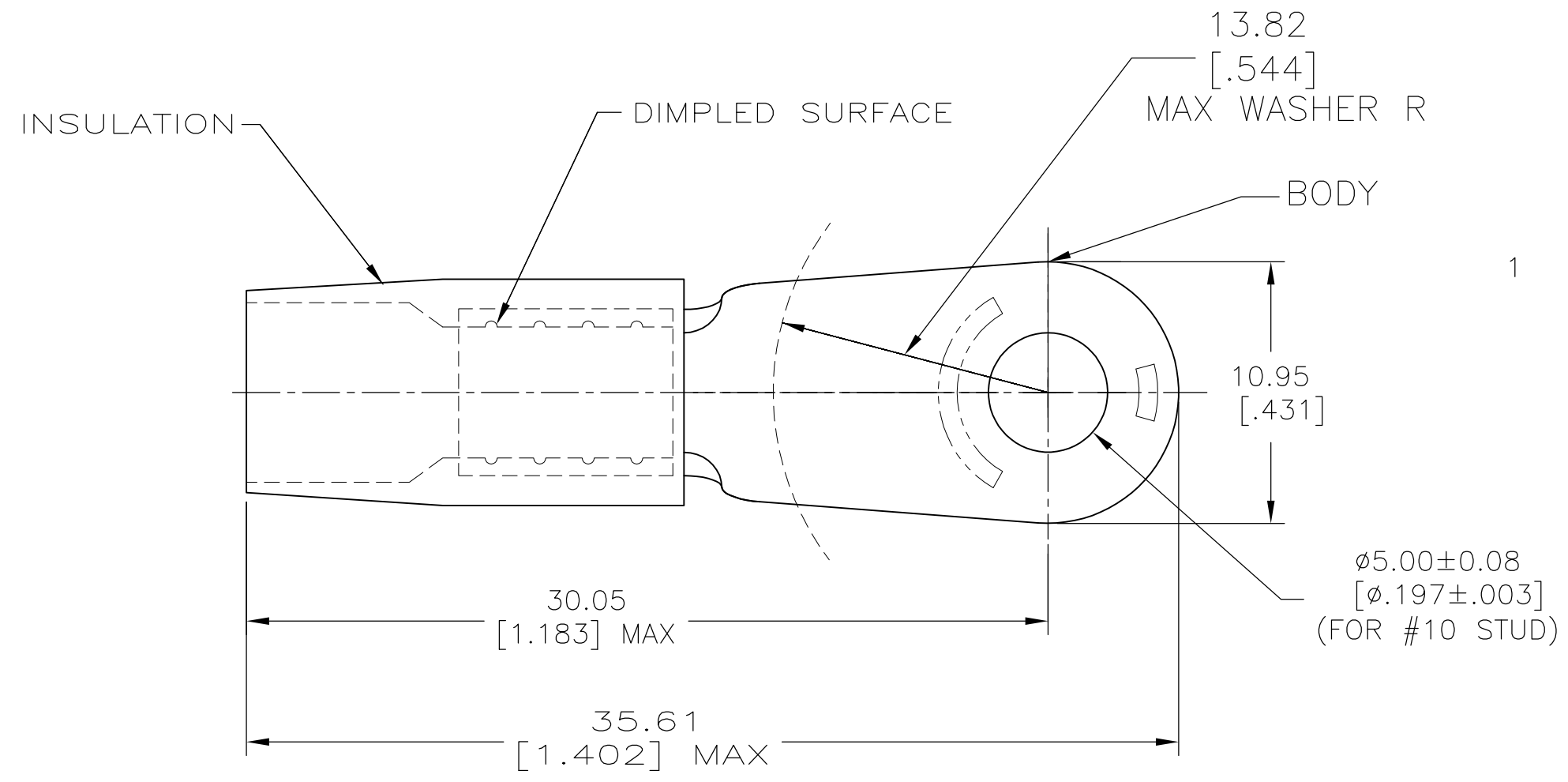
THIS DRAWING IS UNPUBLISHED. RELEASED FOR PUBLICATION  
 © COPYRIGHT - By - ALL RIGHTS RESERVED.

LOC	DIST	REVISIONS			
P	LTR	DESCRIPTION	DATE	DWN	APVD
G	14	J2	REVISED PER ECO-13-008676	23MAY13	KH DR

**AMP**  
WIRE RANGE

---

8 AWG  
STRANDED



1 TONGUE MATERIAL THK 1.02 ± 0.08 [.040 ± .003]  
 FOR 6.50 [.256] MAX WIRE INS DIA

MS25036-115 CLASS 2	-	LOOSE PC	324043
MILITARY P/N AND CLASS	QTY	PACKAGE TYPE	PART NO

<b>AMP INCORPORATED CUSTOMER SERVICE SYSTEMS</b>		MAX RECOMMENDED OPERATING TEMPERATURE: 105°C [221°F]
FOR ADDITIONAL PRODUCT INFORMATION OR COPIES OF DRAWINGS AND TECHNICAL DOCUMENTS	PRODUCT INFORMATION CENTER 1-800-522-6752	VOLTAGE RATING: -
FOR APPLICATION TOOLING INFORMATION	TOOLING ASSISTANCE CENTER 1-800-722-1111	CIRCULAR MIL AREA: 6.64-10.5mm² [13.100-20.800] STRANDED
FOR ORDER ENTRY	1-800-526-5142	THIS DRAWING IS A CONTROLLED DOCUMENT FOR AMP INCORPORATED. IT IS SUBJECT TO CHANGE AND THE CONTROLLING ENGINEERING ORGANIZATION SHOULD BE CONTACTED FOR THE LATEST REVISION.

THIS DRAWING IS A CONTROLLED DOCUMENT.

DIMENSIONS: mm [INCHES]	TOLERANCES UNLESS OTHERWISE SPECIFIED:
	0 PLC ± -
	1 PLC ± -
	2 PLC ± 0.20 [.008]
	3 PLC ± -
	4 PLC ± -
	ANGLES ± -
MATERIAL COPPER PER ASTM B-152 NYLON (MIL-M-20693) TYPE 1 COLOR: RED	FINISH TIN PLATE PER MIL-T-10727

DWN S.S. GOULDEN 6-18-93	<b>STE</b> TE Connectivity	NAME TERMINAL, RING TONGUE, TERMINYL WIRE SIZE: 8 AWG		
CHK R. HERSEY 6-18-93		SIZE A3		
APVD B. BARE 6-18-93		CAGE CODE 00779	DRAWING NO G-324043	RESTRICTED TO -
PRODUCT SPEC -		SCALE NTS		SHEET 1 OF 1
APPLICATION SPEC -	CUSTOMER DRAWING		REV J2	
WEIGHT -				