

Distributed by:

**JAMECO**<sup>®</sup>  
ELECTRONICS

**www.Jameco.com ♦ 1-800-831-4242**

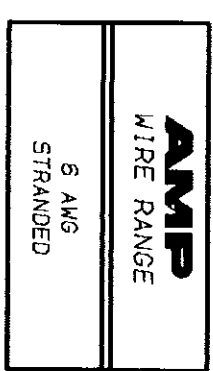
The content and copyrights of the attached  
material are the property of its owner.

Jameco Part Number 939018

THIS DRAWING IS UNPUBLISHED. RELEASED FOR PUBLICATION BY AMP INCORPORATED. ALL INTERNATIONAL RIGHTS RESERVED. © COPYRIGHT 1993

LOC	DIST	P	F	ZONE	LTR	DESCRIPTION	DATE	APPD
G	14			G	EC	0720-0279-93	6-18-93	SSB BB

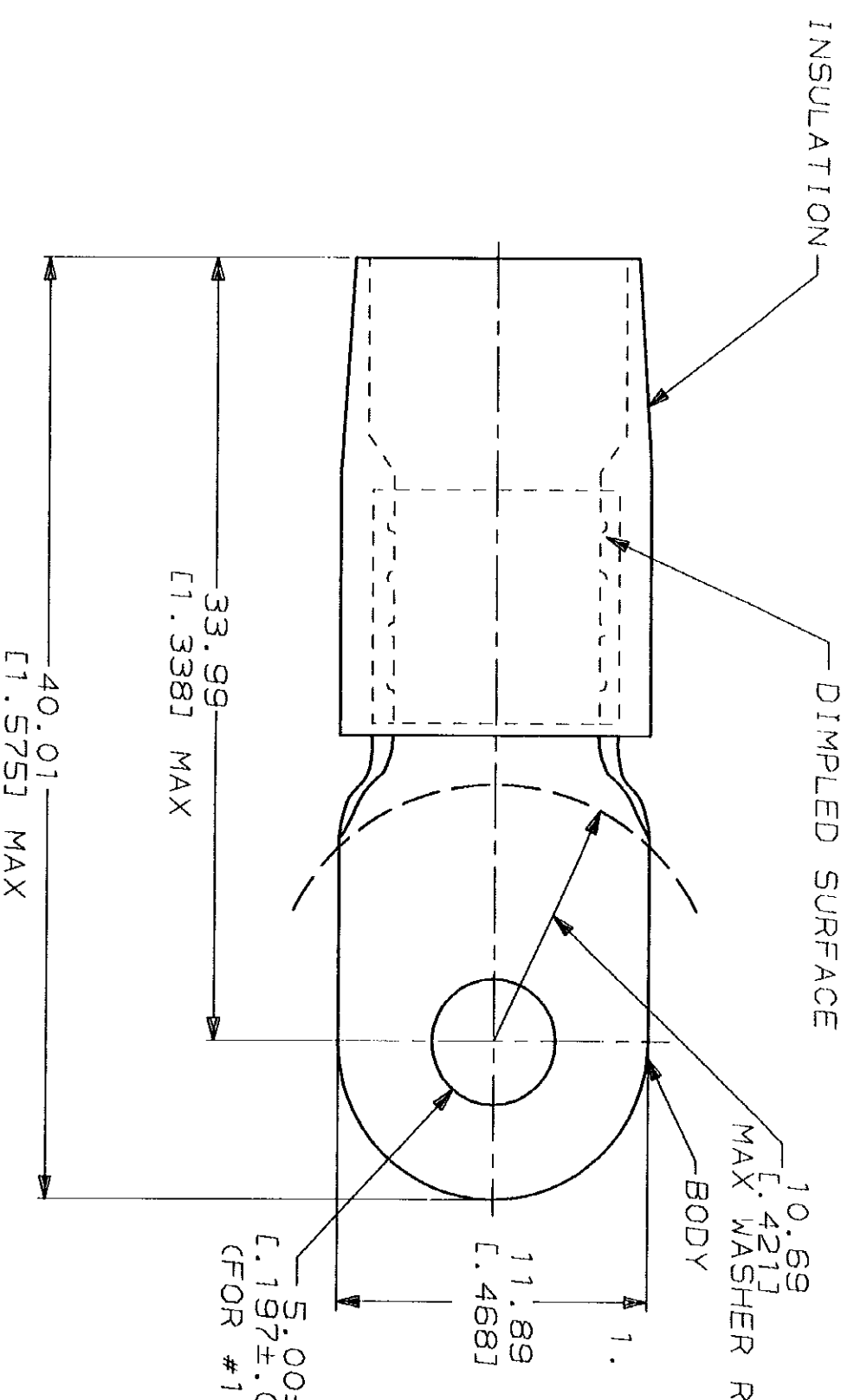
REVISIONS



**METRIOR**

DIMENSIONS LISTED IN MM [ INCHES ]

1. TONGUE MATERIAL THK 1.14±0.08 [ 0.045±.003 ]  
 FOR 7.98 [ 0.314 ] MAX WIRE INS DIA



AMP INCORPORATED  
 CUSTOMER SERVICE SYSTEMS

FOR ADDITIONAL PRODUCT INFORMATION OR COPIES OF DRAWINGS AND TECHNICAL DOCUMENTS	1-800-522-6752	PRODUCT INFORMATION CENTER
FOR APPLICATION TOOLING INFORMATION	1-800-722-1111	TOOLING ASSISTANCE CENTER
FOR ORDER ENTRY	1-800-526-5142	

MAX RECOMMENDED OPERATING TEMPERATURE: 105°C  
 VOLTAGE RATING: -  
 CIRCULAR MIL AREA: 10.5-16.8mm² [20,800-33,100] STRANDED

MS25036-119  
 CLASS 2  
 MILITARY P/N AND CLASS

DO NOT SCALE PRINT. UNLESS SPECIFIED OTHERWISE, DIMENSIONS IN MILLIMETERS. TOLERANCES ON:  
 2 PLC DEC # 0.20 [ 0.08 ]  
 3 PLC DEC # -  
 ANGLES -

MATERIAL: COPPER PER ASTM B-152 NYLON (MIL-M-20693) TYPE 1 COLOR: BLUE  
 FINISH: TIN PLATE PER MIL-T-10727

DR	QTY
6-18-93 S.S. SOULDEN	
6-18-93 R. HERSEY	
6-18-93 B. BARE	
6-18-93 M. ELLIS	

LOOSE PC 324046  
 PACKAGE TYPE PART NO

**AMP** AMP Incorporated  
 Harrisburg, PA 17105-3608  
 NAME: TERMINAL, RING TONGUE, TERMINYL  
 WIRE SIZE: 6 AWG

SIZE	CAGE CODE	DRAWING NO
B	00779	G-324046
SCALE	NTS	SHEET 1 OF 1