

324047 Product Details

[Share](#) [Print](#) [Email](#)




324047

TE Internal Number: 324047

 Active

[View 3D PDF](#)

Ring and Spade Tongue Terminals

 Always EU RoHS/ELV Compliant
(Statement of Compliance)

Product Highlights:

- Terminal Shape = Ring Tongue
- Receptacle Style = Straight
- Body Style = TERMINYL
- Barrel Type = Closed Barrel
- Wire/Cable Type = Regular Wire

[View all Features](#)

Quick Links

- ▶ [Pricing & Availability](#)
- ▶ [Search for Tooling](#)
- ▶ [Product Feature Selector](#)
- ▶ [Contact Us About This Product](#)

[Add to My Part List](#)

[Request Sample](#)

[Find Similar Products](#)

[Buy Product](#)

Documentation & Additional Information

Product Drawings:

- [TERMINAL, RING TONGUE, TERMINYL WIRE SIZE: 6 AWG \(PDF, English\)](#)

Catalog Pages/Data Sheets:

- None Available

Product Specifications:

- None Available

Application Specifications:

- None Available

Instruction Sheets:

- None Available

CAD Files: (CAD Format & Compression Information)

- [2D Drawing \(DXF, Version H\)](#)
- [3D Model \(IGES, Version H\)](#)
- [3D Model \(STEP, Version H\)](#)

[List all Documents](#)

Related Products:

- [Tooling](#)

Product Features (Please use the Product Drawing for all design activity)

Product Type Features:

- [Terminal Shape](#) = Ring Tongue
- [Receptacle Style](#) = Straight
- [Barrel Type](#) = Closed Barrel
- [Wire/Cable Type](#) = Regular Wire
- [Insulation](#) = Yes
- [Insulation Support](#) = Insulation Support
- [Stud Diameter \(mm \[in\]\)](#) = 6.35 [0.250]
- Stud Size = 1/4 [M6]
- [Shape](#) = RING-047
- [Heavy Duty](#) = No
- [Finish](#) = Tin
- [Color](#) = Blue

Termination Features:

- [Wire/Cable Size \(CMA\)](#) = 20,800 – 33,100

Contact Features:

- [Class](#) = 2

Industry Standards:

- [Government/Industry Qualification](#) = Yes
- [Government/Industry Part Number](#) = MS25036-120
- [RoHS/ELV Compliance](#) = RoHS compliant, ELV compliant
- [Lead Free Solder Processes](#) = Not relevant for lead free process
- [RoHS/ELV Compliance History](#) = Always was RoHS compliant

Packaging Features:

- [Packaging Method](#) = Loose Piece

Other:

- [Brand](#) = AMP

Dimensions:

- [Insulation Diameter \(mm \[in\]\)](#) = 7.98 [.314] Max.

Body Features:

- [Body Style](#) = TERMINYL
- [Wire Range \(mm \[AWG\]\)](#) = 13.00-15.00² [6]
- [Material](#) = Copper
- [Tongue Material Thickness \(mm \[in\]\)](#) = 1.22 [0.048]
- [Insulation Material](#) = Nylon

Corporate Information

[About TE](#)
[Investors](#)
[News Room](#)
[Supplier Portal](#)
[Careers](#)
[Terms & Conditions](#)
[Privacy Policy](#)

Quick Links

[Distributor Inventory](#)
[Product Cross Reference](#)
[Documents & Drawings](#)
[Product Compliance Support Center](#)
[Site Map](#)

Customer Support

[Email or Chat With Us](#)
[Find a Phone Number](#)
[Knowledge Base](#)
[Manage Your Account](#)

Keep Me Informed

THIS DRAWING IS UNPUBLISHED. RELEASED FOR PUBLICATION -,-
 © COPYRIGHT - By - ALL RIGHTS RESERVED.

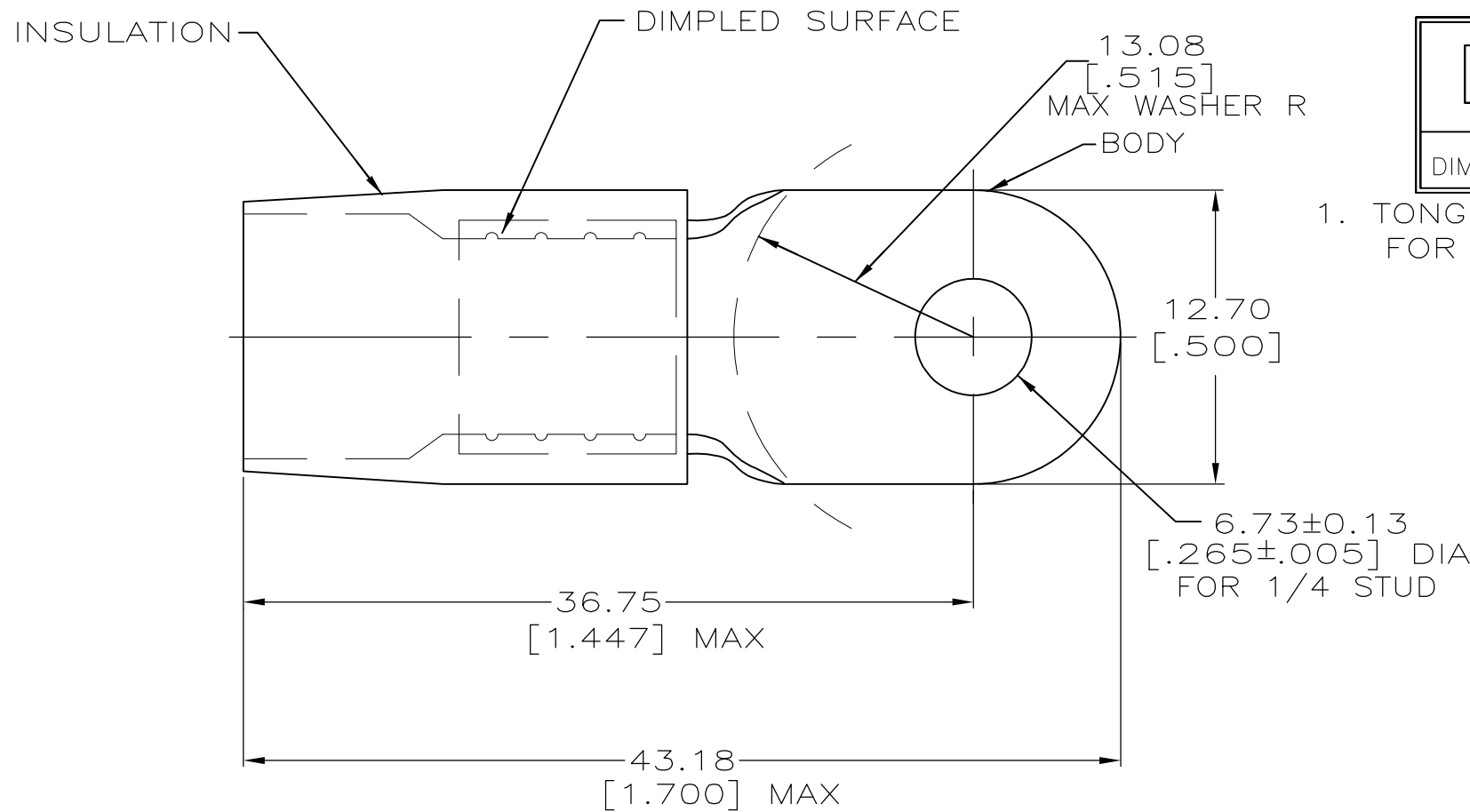
LOC	DIST	REVISIONS			
P	LTR	DESCRIPTION	DATE	DWN	APVD
G	14	H1	REVISED PER ECO-11-004917	11MAR11	RK HMR

AMP
WIRE RANGE

6 AWG
STRANDED

METRIC

DIMENSIONS LISTED IN mm [INCHES]



1. TONGUE MATERIAL THK 1.14±0.08 [.045±.003]
FOR 7.98 [.314] MAX WIRE INS DIA

MS25036-120 CLASS 2	-	LOOSE PC	324047
MILITARY P/N AND CLASS	QTY	PACKAGE TYPE	PART NO

**AMP INCORPORATED
CUSTOMER SERVICE SYSTEMS**

FOR ADDITIONAL PRODUCT INFORMATION OR COPIES OF DRAWINGS AND TECHNICAL DOCUMENTS
PRODUCT INFORMATION CENTER
1-800-522-6752

FOR APPLICATION TOOLING INFORMATION
TOOLING ASSISTANCE CENTER
1-800-722-1111

FOR ORDER ENTRY
1-800-526-5142

MAX RECOMMENDED OPERATING TEMPERATURE:
105° c

VOLTAGE RATING:
-

CIRCULAR MIL AREA:
10.5-16.8mm² [20,800-33,100] STRANDED

THIS DRAWING IS A CONTROLLED DOCUMENT.

DIMENSIONS: mm[INCHES]	TOLERANCES UNLESS OTHERWISE SPECIFIED:
	0 PLC ± -
	1 PLC ± -
	2 PLC ± 0.20[.008]
	3 PLC ± -
	4 PLC ± -
	ANGLES ± -

MATERIAL: COPPER PER ASTM B-152 NYLON (MIL-M-20693) TYPE 1 COLOR: BLUE

FINISH: TIN PLATE PER MIL-T-10727

DWN S.S. GOULDEN 6-18-93	TE Connectivity	SIZE	CAGE CODE	DRAWING NO	RESTRICTED TO
CHK R. HERSEY 6-18-93		A3	00779	C-324047	-
APVD B. BARE 6-18-93		NAME TERMINAL, RING TONGUE, TERMINYL WIRE SIZE: 6 AWG			
PRODUCT SPEC		APPLICATION SPEC			
WEIGHT	CUSTOMER DRAWING				SCALE NTS
					SHEET 1 OF 1
					REV H1