

Distributed by:

JAMECO[®]
ELECTRONICS

www.Jameco.com ♦ 1-800-831-4242

The content and copyrights of the attached
material are the property of its owner.

Jameco Part Number 751550

THIS DRAWING IS UNPUBLISHED. RELEASED FOR PUBLICATION BY AMP INCORPORATED. ALL INTERNATIONAL RIGHTS RESERVED. © COPYRIGHT 1989

LOC	DIST	P	F	ZONE	LTR	DESCRIPTION	DATE	APPD
6	14				H	EC 0720-0279-93	6-18-93	SSS BB

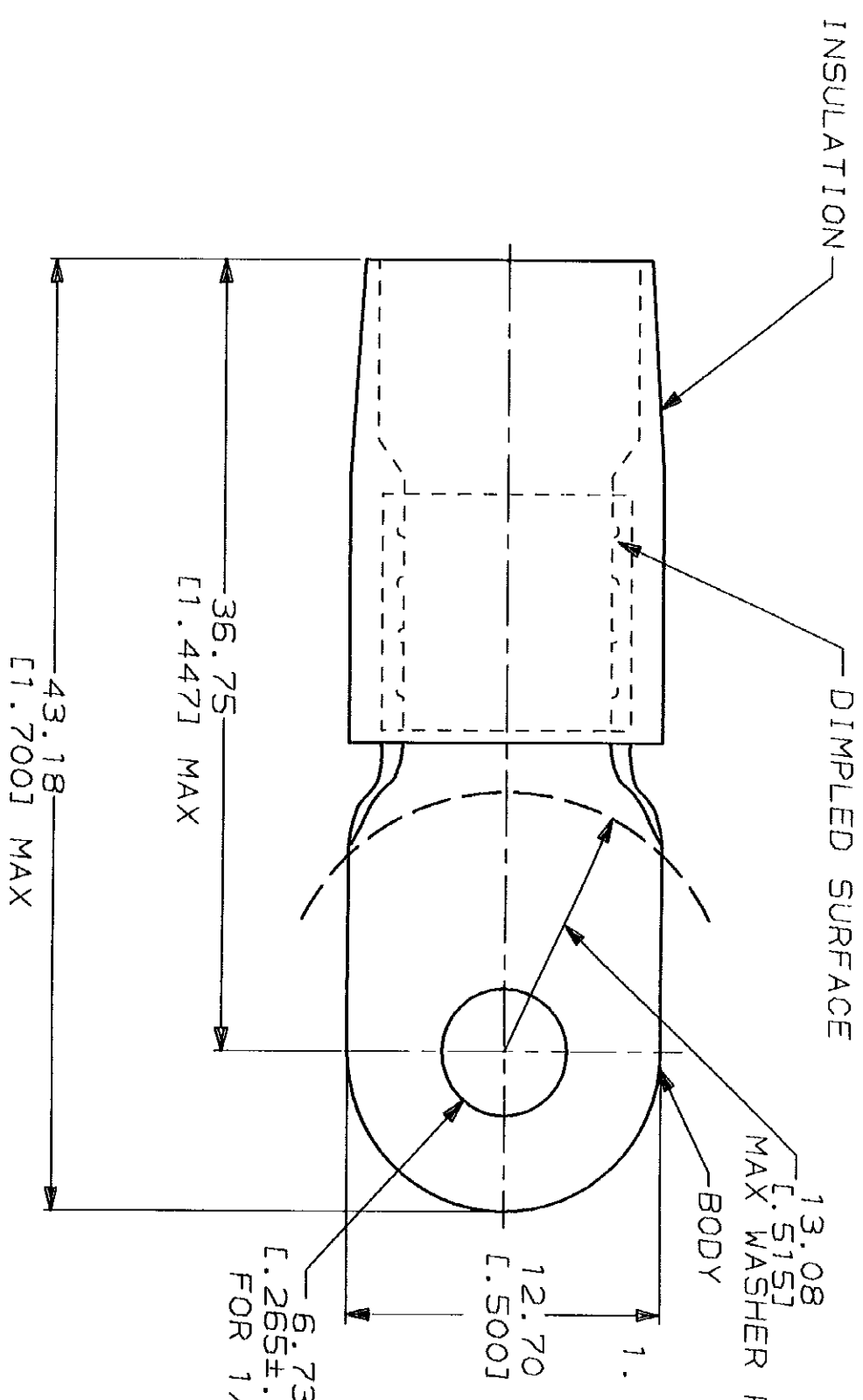
REVISIONS

AMP
WIRE RANGE
6 AWG
STRANDED

METRIC

DIMENSIONS LISTED IN mm [INCHES]

1. TONGUE MATERIAL THK 1.14±0.08 [0.045±.003]
FOR 7.98 [0.314] MAX WIRE INS DIA



AMP INCORPORATED
CUSTOMER SERVICE SYSTEMS

FOR ADDITIONAL PRODUCT INFORMATION OR COPIES OF DRAWINGS AND TECHNICAL DOCUMENTS	PRODUCT INFORMATION CENTER 1-800-522-6752
FOR APPLICATION	TOOLING ASSISTANCE CENTER 1-800-722-1111
TOOLING INFORMATION	1-800-526-5142
FOR ORDER ENTRY	

MAX RECOMMENDED OPERATING TEMPERATURE: 105°C

VOLTAGE RATING: -

CIRCULAR MIL AREA: 10.5-16.8mm² [20, 800-33, 100] STRANDED

MS25036-120 CLASS 2	MILITARY P/N AND CLASS
DO NOT SCALE PRINT. UNLESS SPECIFIED	
1. DIMENSIONS IN MILLIMETERS	
2. TOLERANCES ON:	
3. PLG DEC ± 0.20 (0.008)	
4. ANGLES	
MATERIAL	
COPPER PER ASTM B-152	
NYLON (MIL-M-20693) TYPE 1	
COLOR: BLUE	
FINISH	
TIN PLATE PER MIL-T-10727	

DR 6-18-93	QTY
S.S. GOLDEN	
CHK 6-18-93	
R. HERSEY	
APPD 6-18-93	
B. BARE	
APPD 6-18-93	
H. ELLIS	
PRODUCT SPEC	
APPLICATION SPEC	
WEIGHT	

LOOSE PC	PACKAGE TYPE	324047	PART NO
AMP	AMP Incorporated		
	Harrisburg, PA 17105-3608		

TERMINAL, RING TONGUE, TERMINYL
WIRE SIZE: 6 AWG

SIZE	CAGE CODE	DRAWING NO
B	00779	G=324047
SCALE	NTS	SHEET
		1 OF 1