

Distributed by:

JAMECO[®]
ELECTRONICS

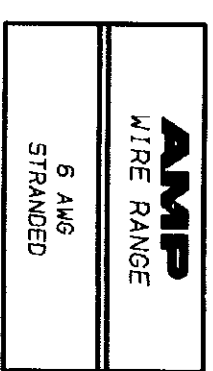
www.Jameco.com ♦ 1-800-831-4242

The content and copyrights of the attached
material are the property of its owner.

Jameco Part Number 751568

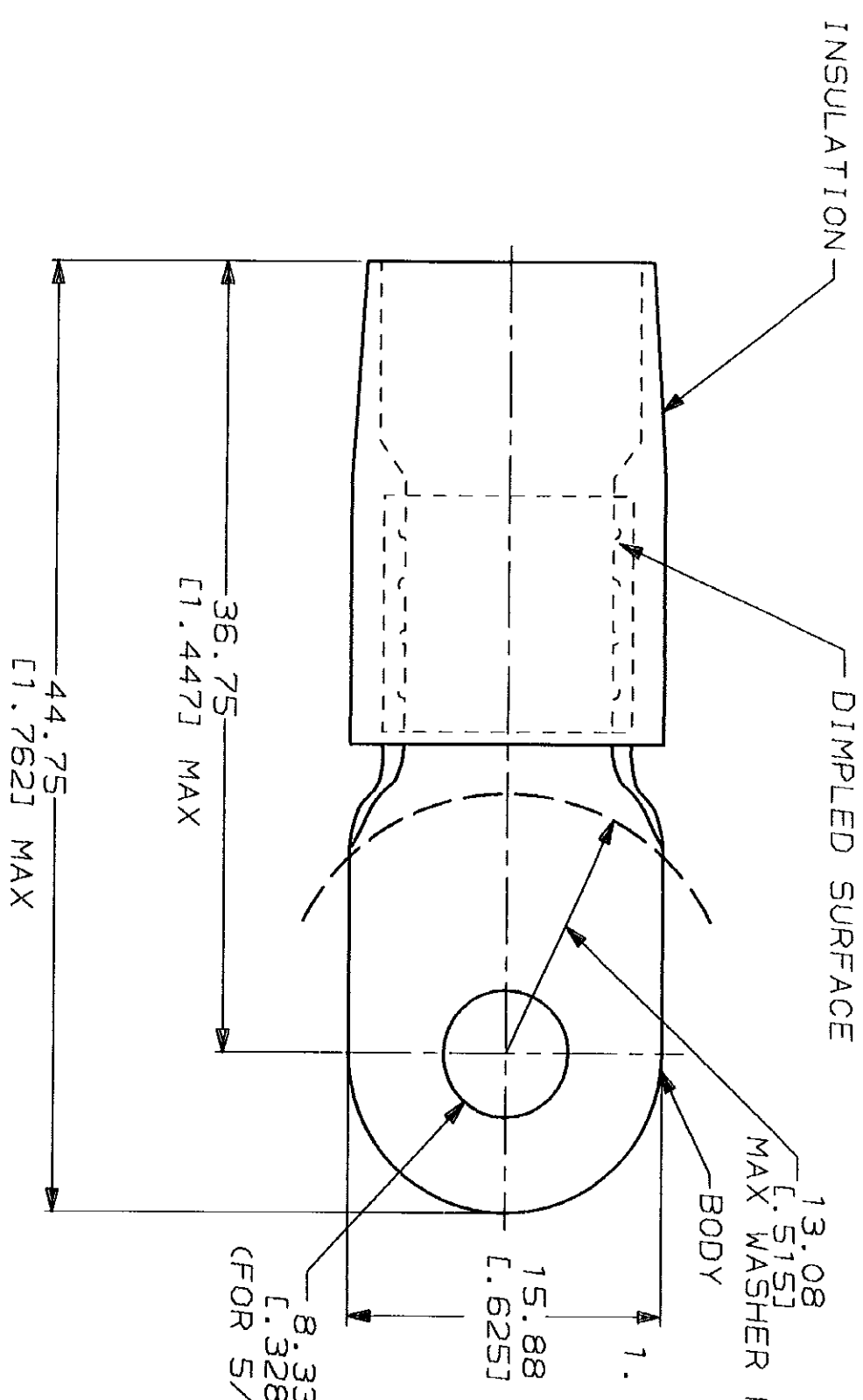
THIS DRAWING IS UNPUBLISHED. RELEASED FOR PUBLICATION BY AMP INCORPORATED. ALL INTERNATIONAL RIGHTS RESERVED. © COPYRIGHT 1983

LOC	DIST	P	ZONE	LTR	REVISIONS	DESCRIPTION	DATE	APPD
G	14				EC 0720-0279-93		6-18-93	SS ⁶ BB



METRIOR
DIMENSIONS LISTED IN mm [INCHES]

1. TONGUE MATERIAL THK 1.14±0.08 [0.045±.003]
FOR 7.98 [0.314] MAX WIRE INS DIA



**AMP INCORPORATED
CUSTOMER SERVICE SYSTEMS**

FOR ADDITIONAL PRODUCT INFORMATION OR COPIES OF DRAWINGS AND TECHNICAL DOCUMENTS	1-800-522-6752	PRODUCT INFORMATION CENTER
FOR APPLICATION TOOLS INFORMATION	1-800-722-1111	TOOLING ASSISTANCE CENTER
FOR ORDER ENTRY	1-800-526-5142	

MS25036-121 CLASS 2	MILITARY P/N AND CLASS	DO NOT SCALE PRINT. UNLESS SPECIFIED DIMENSIONS IN MILLIMETERS—TOLERANCES ON: 1. PLC DEC # 0.20 (.008) 2. PLC DEC # 0.25 (.010) 3. ANGLES #	DR 6-18-93 S.S. GOLDEN	QTY	PACKAGE TYPE	LOOSE PC	PART NO	324048
FINISH: TIN PLATE PER MIL-T-10727	MATERIAL: COPPER PER ASTM B-152 NYLON (MIL-M-20693) TYPE 1 COLOR: BLUE	APPD 6-18-93 R. HERSEY	CHK 6-18-93 R. HERSEY		AMP	AMP Incorporated	AMP	AMP Incorporated
		APPD 6-18-93 M. ELLIS						
		PRODUCT SPEC						
		APPLICATION SPEC						
		WEIGHT						
		SCALE						

AMP
AMP Incorporated
Harrisburg, PA 17105-3608

TERMINAL, RING TONGUE, TERMINYL
WIRE SIZE: 6 AWG