

THIS DRAWING IS UNPUBLISHED. RELEASED FOR PUBLICATION - , -
 © COPYRIGHT - By - ALL RIGHTS RESERVED.

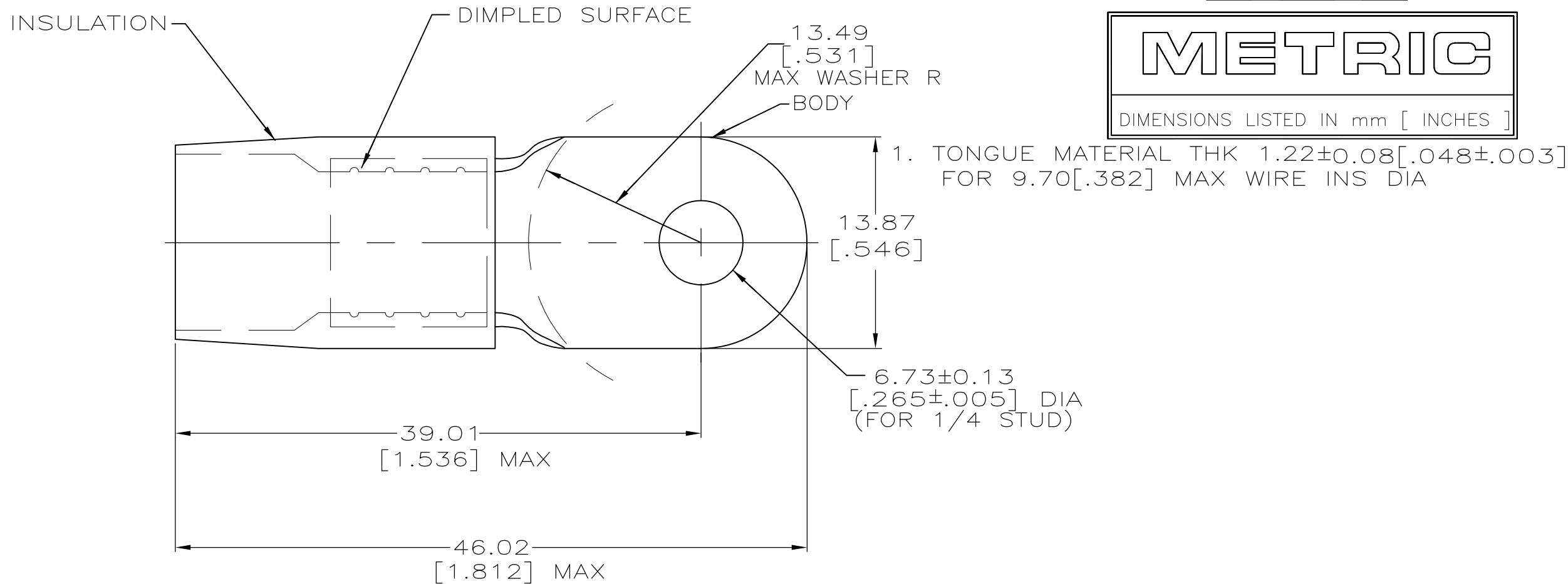
LOC	DIST	REVISIONS					
G	14	P	LTR	DESCRIPTION	DATE	DWN	APVD
			H1	REVISED PER ECO-11-004917	11MAR11	RK	HMR

AMP
WIRE RANGE

4 AWG
STRANDED

METRIC

DIMENSIONS LISTED IN mm [INCHES]



MS25036-123 CLASS 2	-	LOOSE PC	324050
MILITARY P/N AND CLASS	QTY	PACKAGE TYPE	PART NO

**AMP INCORPORATED
CUSTOMER SERVICE SYSTEMS**

FOR ADDITIONAL PRODUCT INFORMATION OR COPIES OF DRAWINGS AND TECHNICAL DOCUMENTS
 PRODUCT INFORMATION CENTER
 1-800-522-6752

FOR APPLICATION TOOLING INFORMATION
 TOOLING ASSISTANCE CENTER
 1-800-722-1111

FOR ORDER ENTRY
 1-800-526-5142

MAX RECOMMENDED OPERATING TEMPERATURE:
105° c

VOLTAGE RATING:
-

CIRCULAR MIL AREA:
16.8-26.7mm² [33,100-52,600] STRANDED

THIS DRAWING IS A CONTROLLED DOCUMENT.

DIMENSIONS: MM[INCHES]	TOLERANCES UNLESS OTHERWISE SPECIFIED:
	0 PLC ± -
	1 PLC ± -
	2 PLC ± 0.20[.008]
	3 PLC ± -
	4 PLC ± -
	ANGLES ± -

MATERIAL: COPPER PER ASTM B-152 NYLON (MIL-M-20693) TYPE 1 COLOR: YELLOW

FINISH: TIN PLATE PER MIL-T-10727

DWN	S.S. GOULDEN	6-18-93
CHK	R. HERSEY	6-18-93
APVD	B. BARE	6-18-93
PRODUCT SPEC	-	-
APPLICATION SPEC	-	-
WEIGHT	-	-

STE TE Connectivity

NAME: TERMINAL, RING TONGUE, TERMINYL WIRE SIZE: 4 AWG

SIZE	CAGE CODE	DRAWING NO	RESTRICTED TO
A3	00779	C-324050	-

CUSTOMER DRAWING SCALE NTS SHEET 1 OF 1 REV H1