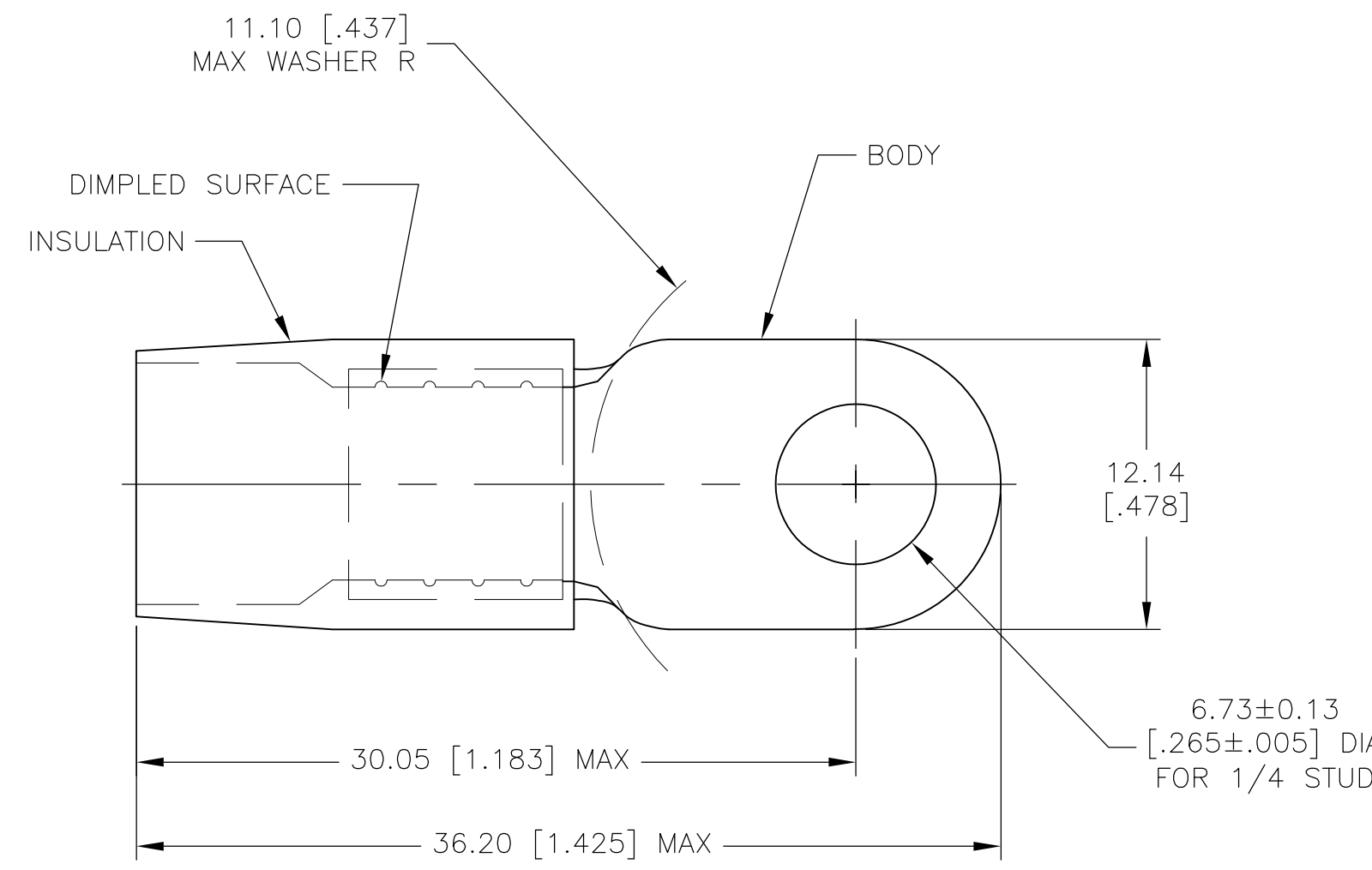


THIS DRAWING IS UNPUBLISHED. RELEASED FOR PUBLICATION -,-
 © COPYRIGHT - By - ALL RIGHTS RESERVED.

LOC	DIST	REVISIONS			
P	LTR	DESCRIPTION	DATE	DWN	APVD
G	14	F2	REVISED PER ECO-11-004820	11MAR11	RK HMR



AMP
 WIRE RANGE
 8 AWG
 STRANDED

- 1 TONGUE MATERIAL THK 1.02±0.08 [.040±.003]
- 2 FOR 6.50 [.256] MAX WIRE INSULATION DIA
- △3 BODY - COPPER PER ASTM B-152
 INSULATION - NYLON, (MIL-M-20693) TYPE 1
- △4 BODY - TIN PLATE PER ASTM B-545
 INSULATION - COLOR-RED

MS25036-116 CLASS 2	-	LOOSE PC	324082
MILITARY P/N AND CLASS	QTY	PACKAGE TYPE	PART NUMBER

MAX RECOMMENDED OPERATING TEMPERATURE: 105°C [221°F]	THIS DRAWING IS A CONTROLLED DOCUMENT.		DWN JR RUTH 6-21-93 CHK R. HERSEY 6-21-93 APVD M ELLIS 6-21-93 PRODUCT SPEC - APPLICATION SPEC - WEIGHT -	STE TE Connectivity NAME TERMINAL, RING TONGUE, TERMINYL WIRE SIZE: 8 AWG	
	VOLTAGE RATING: N/A	DIMENSIONS: mm [INCHES]	TOLERANCES UNLESS OTHERWISE SPECIFIED: 0 PLC ± - 1 PLC ± - 2 PLC ± 0.20[.008] 3 PLC ± - 4 PLC ± - ANGLES ± -	SIZE CAGE CODE DRAWING NO RESTRICTED TO A3 00779 C-324082 -	
CIRCULAR MIL AREA: 6.64-10.5mm² [13,100-20,800] STRANDED	MATERIAL △3	FINISH △4	CUSTOMER DRAWING SCALE 4:1 SHEET 1 of 1 REV F2		