



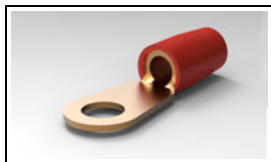
Have a Question?
 Chat with a Product Information Specialist

What can we help you find?

[Products](#) |
 [Industries](#) |
 [Resources](#) |
 [About TE](#) |
 [My Account](#) |
 [Innovation](#) |
 [Support Center](#)

324082 Product Details

[Share](#) |
 [Print](#) |
 [Email](#)



324082

TE Internal Number: 324082

Active

[View 3D PDF](#)

Ring and Spade Tongue Terminals

Always EU RoHS/ELV Compliant (Statement of Compliance)

Product Highlights:

- Terminal Shape = Ring Tongue
- Receptacle Style = Straight
- Body Style = TERMINYL
- Barrel Type = Closed Barrel
- Wire/Cable Type = Regular Wire

[View all Features](#)

Quick Links

- ▶ [Pricing & Availability](#)
- ▶ [Search for Tooling](#)
- ▶ [Product Feature Selector](#)
- ▶ [Contact Us About This Product](#)

[Add to My Part List](#) |
 [Request Sample](#) |
 [Find Similar Products](#) |
 [Buy Product](#)

Documentation & Additional Information	
<p>Product Drawings:</p> <ul style="list-style-type: none"> • TERMINAL, RING TONGUE, TERMINYL WIRE SIZE: 8 AWG (PDF, English) <p>Catalog Pages/Data Sheets:</p> <ul style="list-style-type: none"> • None Available <p>Product Specifications:</p> <ul style="list-style-type: none"> • None Available <p>Application Specifications:</p> <ul style="list-style-type: none"> • None Available <p>Instruction Sheets:</p> <ul style="list-style-type: none"> • None Available <p>CAD Files: (CAD Format & Compression Information)</p> <ul style="list-style-type: none"> • 2D Drawing (DXF, Version F) • 3D Model (IGES, Version F) • 3D Model (STEP, Version F) <p style="text-align: right;">List all Documents</p>	<p>Related Products:</p> <ul style="list-style-type: none"> • Tooling

Product Features (Please use the Product Drawing for all design activity)	
<p>Product Type Features:</p> <ul style="list-style-type: none"> • Terminal Shape = Ring Tongue • Receptacle Style = Straight • Barrel Type = Closed Barrel • Wire/Cable Type = Regular Wire • Insulation = Yes • Insulation Support = Insulation Support • Stud Diameter (mm [in]) = 6.35 [0.250] • Stud Size = 1/4 [M6] • Shape = RING-047 • Heavy Duty = No • Finish = Tin • Color = Red <p>Termination Features:</p> <ul style="list-style-type: none"> • Wire/Cable Size (CMA) = 13,100 – 20,800 <p>Dimensions:</p> <ul style="list-style-type: none"> • Insulation Diameter (mm [in]) = 6.50 [.256] Max. <p>Body Features:</p> <ul style="list-style-type: none"> • Body Style = TERMINYL • Wire Range (mm [AWG]) = 8.00² [8] • Material = Copper • Tongue Material Thickness (mm [in]) = 1.09 [0.043] • Insulation Material = Nylon 	<p>Contact Features:</p> <ul style="list-style-type: none"> • Class = 2 <p>Industry Standards:</p> <ul style="list-style-type: none"> • Government/Industry Qualification = Yes • Government/Industry Part Number = MS25036-116 • RoHS/ELV Compliance = RoHS compliant, ELV compliant • Lead Free Solder Processes = Not relevant for lead free process • RoHS/ELV Compliance History = Always was RoHS compliant <p>Packaging Features:</p> <ul style="list-style-type: none"> • Packaging Method = Loose Piece <p>Other:</p> <ul style="list-style-type: none"> • Brand = AMP

4

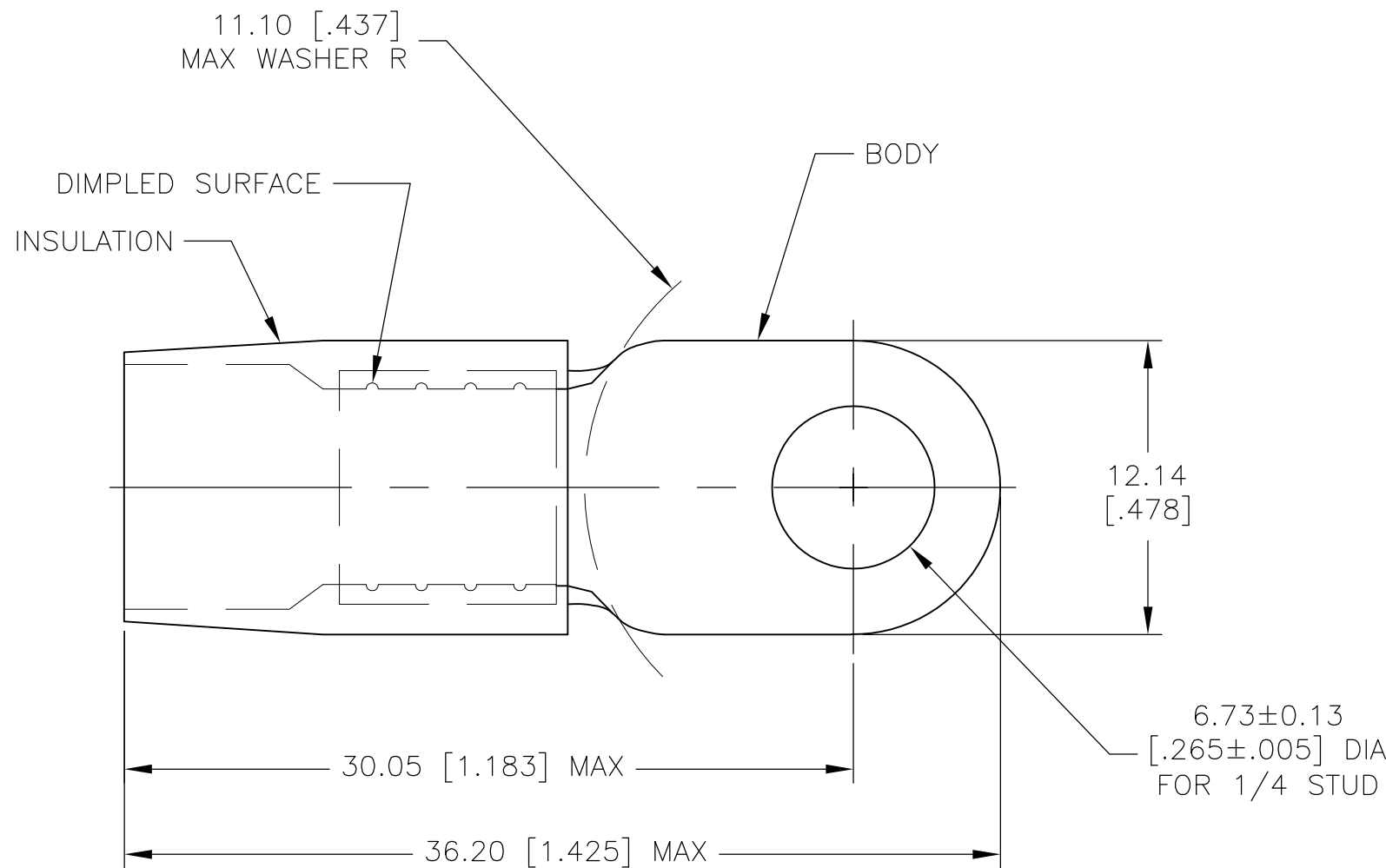
3

2

1

THIS DRAWING IS UNPUBLISHED. RELEASED FOR PUBLICATION - , -
 © COPYRIGHT - By - ALL RIGHTS RESERVED.

LOC	DIST	REVISIONS			
P	LTR	DESCRIPTION	DATE	DWN	APVD
G	14	F2	REVISED PER ECO-11-004820	11MAR11	RK HMR



AMP
WIRE RANGE

8 AWG
STRANDED

- 1 TONGUE MATERIAL THK 1.02±0.08 [.040±.003]
- 2 FOR 6.50 [.256] MAX WIRE INSULATION DIA
- △3 BODY - COPPER PER ASTM B-152
INSULATION - NYLON, (MIL-M-20693) TYPE 1
- △4 BODY - TIN PLATE PER ASTM B-545
INSULATION - COLOR-RED

MS25036-116 CLASS 2	-	LOOSE PC	324082
MILITARY P/N AND CLASS	QTY	PACKAGE TYPE	PART NUMBER

MAX RECOMMENDED OPERATING TEMPERATURE: 105°C [221°F]	THIS DRAWING IS A CONTROLLED DOCUMENT.		DWN JR RUTH 6-21-93	STE TE Connectivity
	VOLTAGE RATING: N/A	DIMENSIONS: mm [INCHES]	CHK R. HERSEY 6-21-93	
CIRCULAR MIL AREA: 6.64-10.5mm² [13,100-20,800] STRANDED	 	TOLERANCES UNLESS OTHERWISE SPECIFIED:	APVD M ELLIS 6-21-93	NAME TERMINAL, RING TONGUE, TERMINYL WIRE SIZE: 8 AWG
		MATERIAL △3	FINISH △4	PRODUCT SPEC -
CUSTOMER DRAWING			APPLICATION SPEC -	SIZE A3
			WEIGHT -	CAGE CODE 00779
			SCALE 4:1	DRAWING NO C-324082
			SHEET 1 of 1	REV F2