

Distributed by:

**JAMECO**<sup>®</sup>  
ELECTRONICS

**www.Jameco.com ♦ 1-800-831-4242**

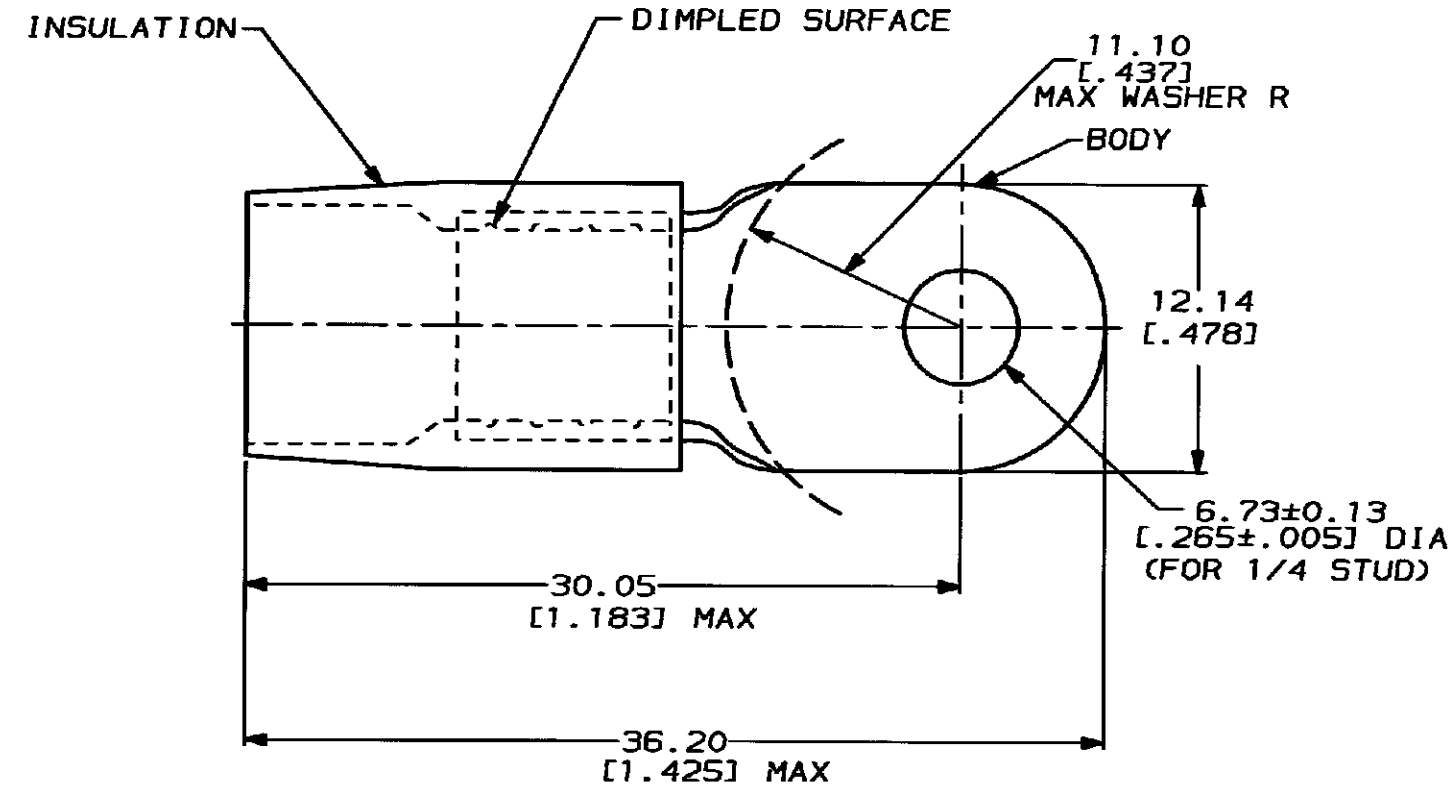
The content and copyrights of the attached  
material are the property of its owner.

Jameco Part Number 751592

4  
DRAWING MADE IN THIRD ANGLE PROJECTION

THIS DRAWING IS UNPUBLISHED. RELEASED FOR PUBLICATION , 19 .  
© COPYRIGHT 19 BY AMP INCORPORATED. ALL INTERNATIONAL RIGHTS RESERVED.

LOC	DIST	P	F	ZONE	LTR	REVISIONS	DATE	APPO
G	14				F	EC 0720-0279-93	6-21-93	BB



**AMP**  
WIRE RANGE  
8 AWG  
STRANDED

**METRIC**  
DIMENSIONS LISTED IN mm [ INCHES ]

1. TONGUE MATERIAL THK 1.02±0.08 [.040±.003]  
FOR 6.50 [.256] MAX WIRE INS DIA

<b>AMP INCORPORATED CUSTOMER SERVICE SYSTEMS</b>	
FOR ADDITIONAL PRODUCT INFORMATION OR COPIES OF DRAWINGS AND TECHNICAL DOCUMENTS	PRODUCT INFORMATION CENTER 1-800-522-6752
FOR APPLICATION TOOLING INFORMATION	TOOLING ASSISTANCE CENTER 1-800-722-1111
FOR ORDER ENTRY	1-800-526-5142

MAX RECOMMENDED OPERATING TEMPERATURE: 105°C
VOLTAGE RATING: -
CIRCULAR MIL AREA: 6.64-10.5mm² ± [31, 100-20, 800] STRANDED

MS25036-116 CLASS 2	-	LOOSE PC	324082
MILITARY P/N AND CLASS	QTY	PACKAGE TYPE	PART NO
DO NOT SCALE PRINT. UNLESS SPECIFIED	DR 6-21-93 S.S. GOLDEN	<b>AMP</b> AMP Incorporated Harrisburg, PA 17105-3608	
TOLERANCES ON: 2 PL DEC ± 0.20 (.008) 3 PL DEC ± - ANGLES ± -	CHK 6-21-93 R. HERSEY		
MATERIAL COPPER PER ASTM B-152 NYLON (MIL-N-20693) TYPE 1 COLOR: RED	APPO 6-21-93 B. BARE	NAME TERMINAL, RING TONGUE, TERMINYL WIRE SIZE: 8 AWG	
FINISH TIN PLATE PER MIL-T-10727	APPO 6-21-93 R. B.L.15		
	APPLICATION SPEC	SIZE B	CAGE CODE 00779
	WEIGHT	DRAWING NO C-324082	SCALE NTS
		SHEET 1 OF 1	

AMP 1470-15 REV 3-92  
21 JUN 1993 12:31:00 AMPT1122 <UJ128A>DEPT1132>AMPT1122>U.CUSTOMINYL

CUSTOMER DRAWING