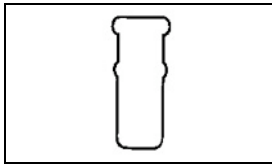


## 324484 Product Details

[Share](#) [Print](#) [Email](#)



**324484**

TE Internal Number: 324484

Active

[View 3D PDF](#)

### Splices - Closed Barrel

Always EU RoHS/ELV Compliant (Statement of Compliance)

#### Product Highlights:

- Accessory
- Accessory Type = Wire Caps for Unstripped Wire
- Not Sealed
- Body Style = PIDG
- Insulated

[View all Features](#)

### Quick Links

- ▶ [Pricing & Availability](#)
- ▶ [Search for Tooling](#)
- ▶ [Product Feature Selector](#)
- ▶ [Contact Us About This Product](#)

[Add to My Part List](#) [Request Sample](#) [Find Similar Products](#) [Buy Product](#)

### Documentation & Additional Information

#### Product Drawings:

- [SPARE WIRE CAP, TRANSPARENT \(PDF, English\)](#)

#### Catalog Pages/Data Sheets:

- None Available

#### Product Specifications:

- None Available

#### Application Specifications:

- [Pre-Insulated Diamond Grip \(PIDG\) Terminals, Splices... \(PDF, English\)](#)

#### Instruction Sheets:

- None Available

#### CAD Files: [\(CAD Format & Compression Information\)](#)

- [2D Drawing \(DXF, Version N\)](#)
- [3D Model \(IGES, Version N\)](#)
- [3D Model \(STEP, Version N\)](#)

[List all Documents](#)

#### Related Products:

- [Tooling](#)

### Product Features (Please use the Product Drawing for all design activity)

#### Product Type Features:

- Product Type = Accessory
- Sealed = No
- Accessory Type = Wire Caps for Unstripped Wire
- Insulation = Yes
- Insulation Support = Insulation Support
- Finish = Tin
- Color = Transparent

#### Dimensions:

- Insulation Diameter (mm [in]) = 1.22-1.91 [.048-.075]

#### Body Features:

- Body Style = PIDG
- Material = Copper

#### Industry Standards:

- Government/Industry Qualification = No
- RoHS/ELV Compliance = RoHS compliant, ELV compliant
- Lead Free Solder Processes = Not relevant for lead free process
- RoHS/ELV Compliance History = Always was RoHS compliant

#### Packaging Features:

- Packaging Method = Loose Piece
- Packaging Quantity = 1,000 Pieces

#### Other:

- Brand = AMP

### Corporate Information

- [About TE](#)
- [Investors](#)
- [News Room](#)
- [Supplier Portal](#)
- [Careers](#)
- [Terms & Conditions](#)
- [Privacy Policy](#)

### Quick Links

- [Distributor Inventory](#)
- [Product Cross Reference](#)
- [Documents & Drawings](#)
- [Product Compliance Support Center](#)
- [Site Map](#)

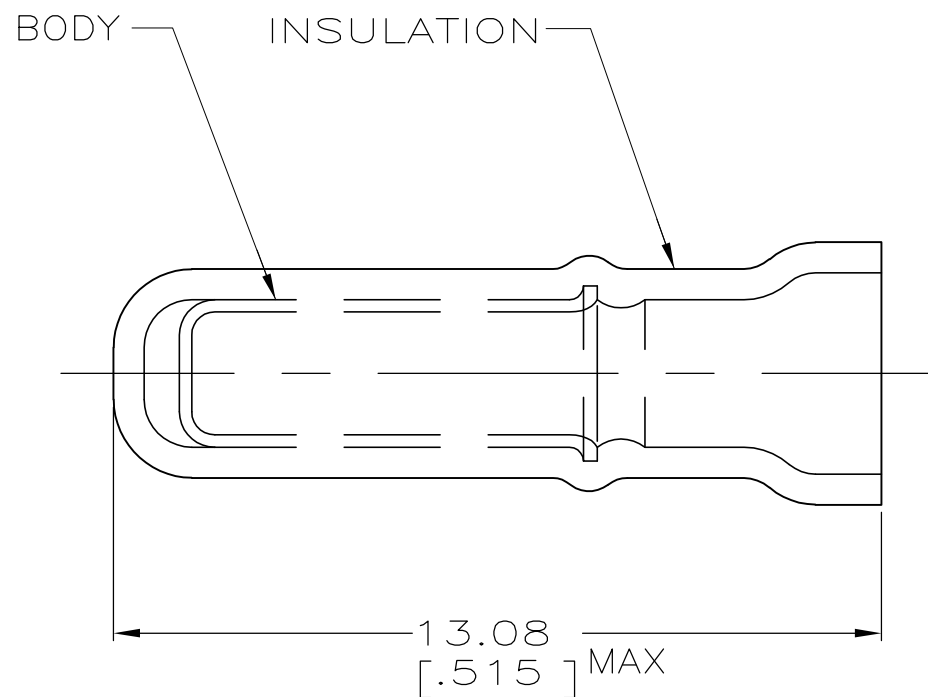
### Customer Support

- [Email or Chat With Us](#)
- [Find a Phone Number](#)
- [Knowledge Base](#)
- [Manage Your Account](#)

### Keep Me Informed

THIS DRAWING IS UNPUBLISHED. RELEASED FOR PUBLICATION  
 © COPYRIGHT - By - ALL RIGHTS RESERVED.

LOC	DIST	REVISIONS					
		P	LTR	DESCRIPTION	DATE	DWN	APVD
G	14		N1	REVISED PER ECO-11-004917	11MAR11	RK	HMR



1. USE FOR AN UNSTRIPPED (SINGLE) WIRE END ONLY
2. WIRE INSUL DIA, 1.22-1.91 [.048-.075]

QTY	PACKAGE TYPE	PART NO
100	LOOSE PIECE, BOX	8-324484-1
1000	LOOSE PIECE	324484

AMP INCORPORATED CUSTOMER SERVICE SYSTEM		MAX RECOMMENDED OPERATING TEMPERATURE: 105° C [221° F]	THIS DRAWING IS A CONTROLLED DOCUMENT.		DWN L OLMEDA 14FEB95	<b>STE</b> TE Connectivity				
FOR ADDITIONAL PRODUCT INFORMATION OR COPIES OF DRAWINGS AND TECHNICAL DOCUMENTS	PRODUCT INFORMATION CENTER 1-800-522-6752	VOLTAGE RATING: -	DIMENSIONS: mm [INCHES]	TOLERANCES UNLESS OTHERWISE SPECIFIED:	CHK M ELLIS 14FEB95				NAME SPARE WIRE CAP, TRANSPARENT	
FOR APPLICATION TOOLING INFORMATION	TOOLING ASSISTANCE CENTER 1-800-722-1111	CIRCULAR MIL AREA: -		0 PLC ± - 1 PLC ± - 2 PLC ± 0.20 [.008] 3 PLC ± - 4 PLC ± - ANGLES ± -	APVD T MICHELUTTI 14FEB95	PRODUCT SPEC	SIZE	CAGE CODE	DRAWING NO	RESTRICTED TO
FOR ORDER ENTRY	1-800-526-5142		MATERIAL BODY, CU PER ASTM B152 INSUL, NYLON, COLOR, TRANSPARENT	FINISH BODY, TIN PLATE PER MIL-T-10727		APPLICATION SPEC	A3	00779	C-324484	-
CUSTOMER DRAWING						WEIGHT	SCALE 8:1		SHEET 1 OF 1	REV N1